

FM-F3101D FM-F3101DG

- OLED technology.
- High contrast ratio with perfect blacks and high brightness.
- Multi window [2,3,4] layouts built in.
- Image rotate [90, 180, 270] and mirror [horizontal, vertical].
- Front filter bonding increases picture quality and durability.
- High Dynamic Range [HDR]/HLG ready, offering brighter highlights, darker blacks, and generally richer, more vivid colour.



The FM-F3101D series monitors are compatible with highly specialized visualization equipment used in operating rooms and surgical suites. These monitors deliver everything that professionals need to reproduce the most life-like images possible in the OR.

OLED Technology for Surgery

Using OLED technology, these models offer true blacks, better contrast, power efficiency, and lighter weight. Experience ultra clear picture quality with FM-F2701D series medical grade monitors. The user interface allows for complete control of image characteristics, including multi-window layouts.

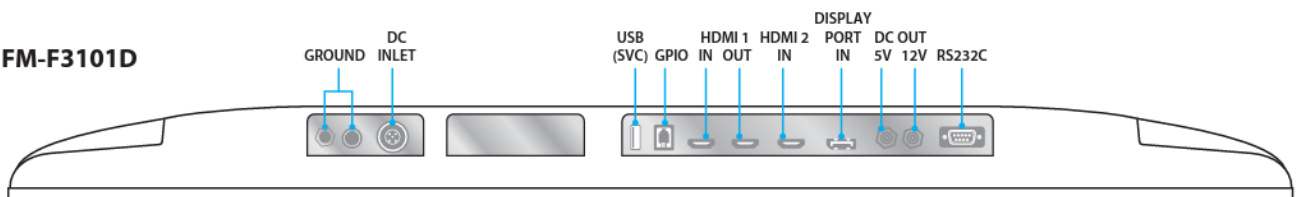


Multiple source support.

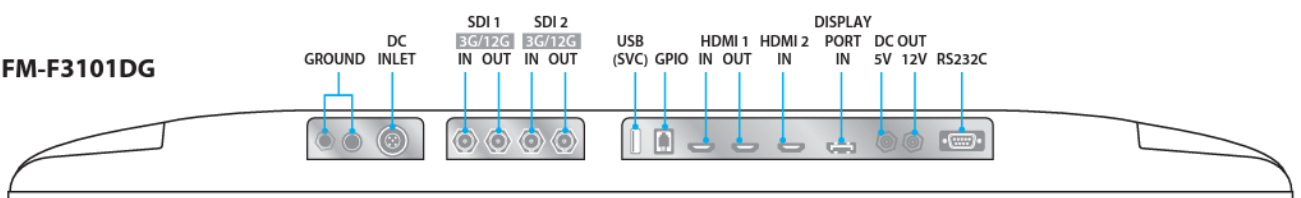
OLED offers better:

- Picture Quality
- Response Time
- Weight
- Energy Efficient
- Deep Black Levels - High Contrast Ratio

FM-F3101D



FM-F3101DG



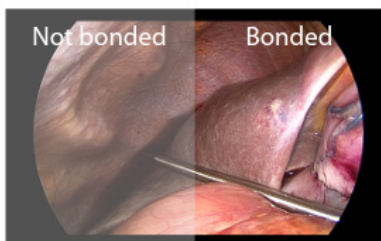
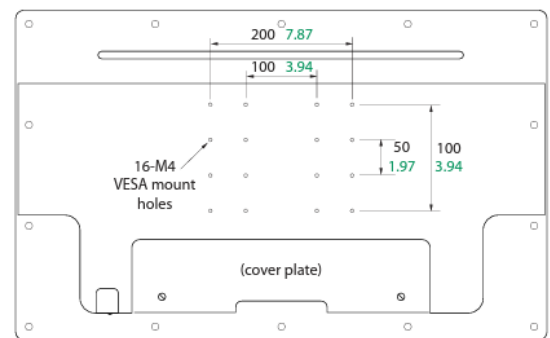
31.5" 4K OLED UHD Medical Display

Datasheet

General Features

Item	Description
Panel	31.5 inch OLED
Resolution	3840 x 2160 pixels
Active Area	697.92 (H)mm x 392.6 (V)mm
Pixel Pitch (mm)	0.18175 x 0.18175
Response Time (typical)	< 0.2 ms (rise + fall time)
Pixels Arrangement	RGB vertical stripes
Number of Colors	1.07 Billion
Brightness (typical)	540 cd/m ² peak
Color Gamut	BT.709 and BT.2020 compatible
Contrast Ratio (typical)	1,000,000 : 1
Surface Treatment	Anti-reflection
Viewing Angle (CR>10)	R/L 178°, U/D 178°
Input Signal	FM-F3101D 2 x HDMI 2.0 1 x DP 1.4 (SST)
	FM-F3101DG 2 x HDMI 2.0 1 x DP 1.4 (SST) 2 x SDI (3G, 12G)

Item	Description
Output Signal	FM-F3101D 1 x HDMI 2.0
	FM-F3101DG 1 x HDMI 2.0 2 x SDI (3G, 12G)
Power Input	AC/DC Adaptor (AC 100~240V, DC 24V/6.6A)
Power Output	DC Output (1 x 12V/2A, 1 x 5V/2A)
Power	FM-F3101D 140W max
Consumption	FM-F3101DG 155W max
Accessories Included	User manual, AC-DC adaptor, AC power cord, DP cable, HDMI cable, SDI cable (FM-F3101DG), M4 screws.
Latency (typical)	1 ms
Unit Dimension	757(W) x 464(H) x 54.7(D) mm 29.8(W) x 18.27(H) x 2.15(D) inch
Package Dimension	860(W) x 780(H) x 200(D) mm 33.86(W) x 30.71(H) x 7.87(D) inch
IP Rating	IP33 - overall
Weight	FM-F3101D 9.06 kg, 19.97 lbs. (monitor with cover) 13.91 kg, 30.67 lbs. (shipping package)
	FM-F3101DG 9.23 kg, 20.35 lbs. (monitor with cover) 14.13 kg, 31.15 lbs. (shipping package)
Certifications	ANSI/AAMI ES60601-1(UL60601-1), CAN/CSA C22.2 No. 60601-1, FCC Class B, EN60601-1, EN60601-1-2, CE, MDR(EU) 2017/745 Class I Medical Device



FSN's optical bonding process (right) improves contrast ratio and brightness, and increases humidity resistance and breakage resistance.

ABOUT HIPAC

We are an Australian healthcare company that guarantees to stand behind all our medical products, both manufactured and imported, because we're here for the life of our products and clients.

PO Box 797, 36 Long St. Goulburn NSW 2580, Australia
P. +61 2 4823 0000 E. info@hipac.com.au

SYDNEY | MELBOURNE | BRISBANE | ADELAIDE | PERTH

hipac.com.au

ABN 27 600 353 688