

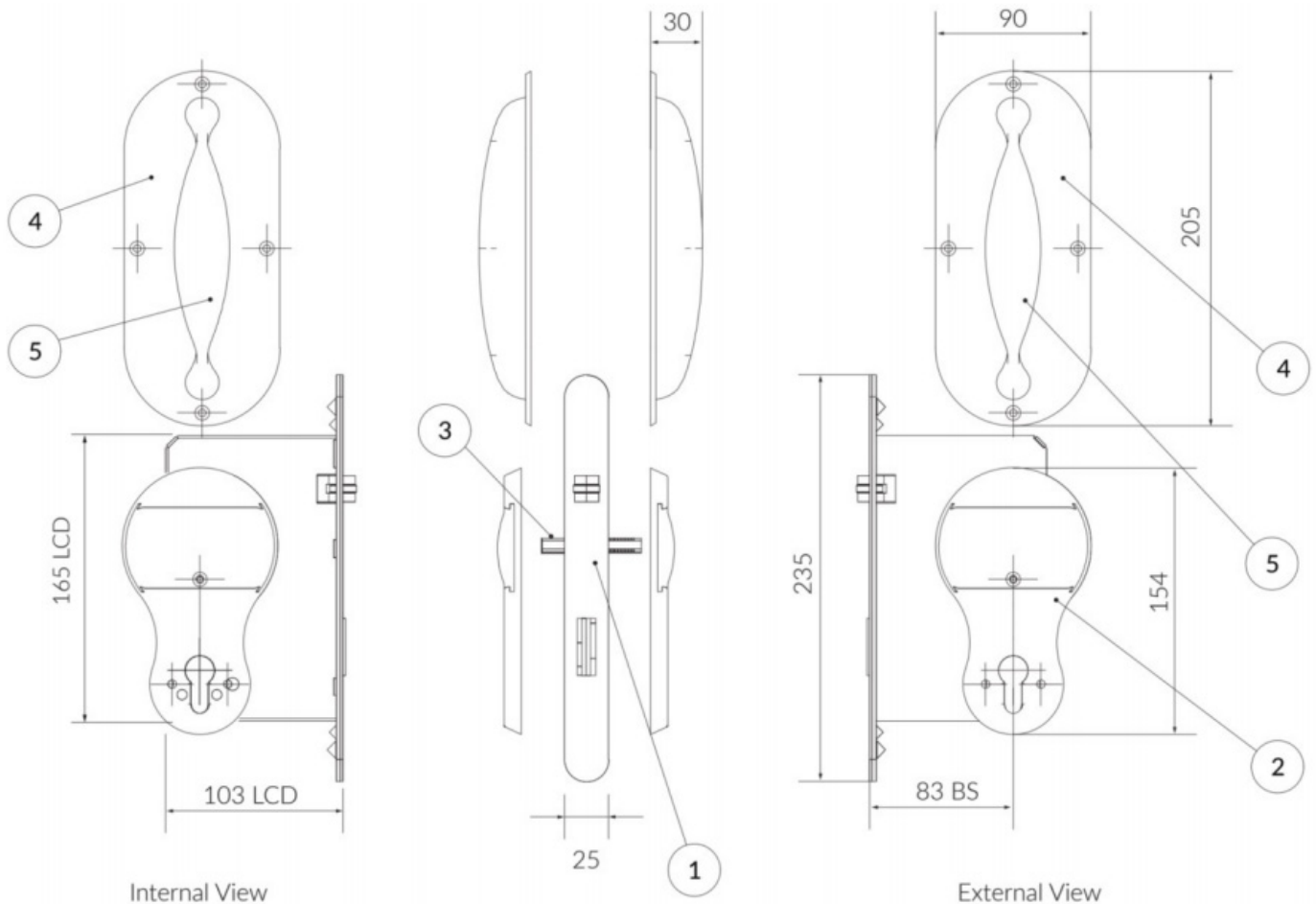


## Anti-Ligature Communal Lockset Primary and Secondary Override

Datasheet

PR-3S-96-729A

136267



### PARTS LIST

ITEM	QTY	PART NUMBER	PRIMERA CODE	ITEM	QTY	PART NUMBER	PRIMERA CODE
1	1	B200130	PR-130RBD	4	2	B411202	PR-5-B411202
2	1	B310341	PR-4-TTAP	5	2	B310103	PR-4-729
3	1	B200704	PR-6704-SPIN-UNI				

Note: Items 4 and 5 when together become PR-4-729A



## Anti-Ligature Communal Lockset Primary and Secondary Override

### Datasheet

**Material**      **Handle & Turn/Pull Dish:** Die-cast Mazak 5 handle. Electro-plated SSS finish.  
**Flat Backplate:** 3mm Chamfered mild steel. Electro-plated SSS finish.  
**Roller Bolt Deadlock:** Predominantly manufactured from steel.

**Fixings**      6 lobe pin-torx anti-tamper stainless steel security screws.

**Maintenance**      **Lubrication:** Premkem white grease with PTFE [Not the Cylinder].  
**Cleaning:** Proprietary baby oil and soft cloth.

### Standards

ITEM	PART NUMBER	PRIMERA CODE	DHF T001:2013
1	B310341	PR-4-TTAP-SSS	PASSED A4
2	B310103	PR-4-729	PASSED A4
3	B411102	PR-5-B411202	PASSED A4

### Certifications

CE: Lockcase:	BS/EN 12209:2013	[British Standards Institute]
Fire Testing:	BS/EN 1634-1	[Exova Warrington Fire]

### ABOUT HIPAC

We are an Australian healthcare company that guarantees to stand behind all our medical products, both manufactured and imported, because we're here for the life of our products and clients.

PO Box 797, 36 Long St. Goulburn NSW 2580, Australia  
P. +61 2 4823 0000 E. [info@hipac.com.au](mailto:info@hipac.com.au)

SYDNEY | MELBOURNE | BRISBANE | ADELAIDE | PERTH

[hipac.com.au](http://hipac.com.au)

ABN 27 600 353 688