



## Anti-Ligature Jumbo Toilet Roll Holder

### Datasheet

#### Description

- Jumbo toilet roll dispenser.
- Contemporary angular design reduces the potential to attach a ligature for the purposes of self-harm.
- Dispenser fits securely into the recess provided by the wall plate, further preventing the potential for ligature points in high risk areas.
- Also available in white & blue to provide high contrast identification to aid recognition for individuals with dementia.
- Easy for staff to refill.
- Recessed lock protects the contents.
- Manufactured from high grade stainless steel for robustness and durability.
- Finished with an attractive brushed steel surface or powder coated.



#### Code:

**145611** - White Dispenser with Blue Wall Plate

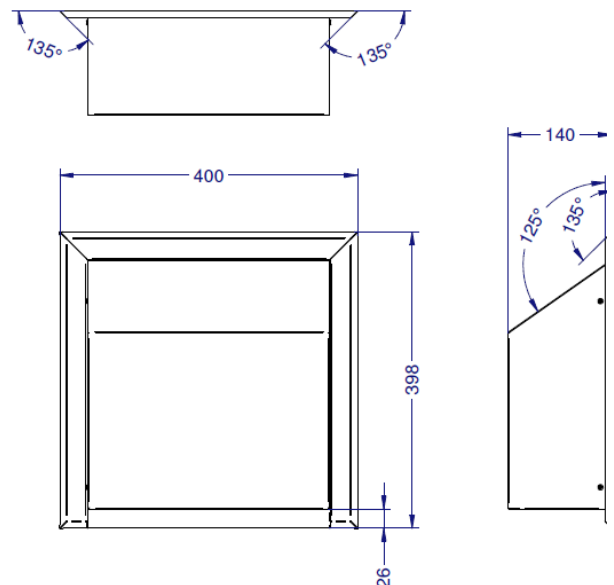
**145616** - White Dispenser with White Wall Plate

**145280** - Brushed Stainless Steel

Available finishes:



<b>Material</b>	Stainless Steel
<b>Dispenser Dimensions:</b>	325mm[W] x 334mm[H] x 138mm[D]
<b>Wall Plate Dimensions:</b>	400mm[W] x 398mm[H] x 10mm[D]
<b>Complete Dimensions:</b>	400mm[W] x 398mm[H] x 140mm[D]
<b>Finish:</b>	Brushed or Powder Coated
<b>Recommended Roll Size:</b>	Max Diameter/Width: 260mm Max Depth: 92mm



The anti-ligature design features of this product do not replace or substitute the need for the necessary supervision of those who may be at risk, or for other protective measures to be taken in the specific circumstances of usage.

Hipac does not claim any product to totally prevent ligatures being attached or make claims that they cannot be damaged by intent through vandalism. It is therefore the customer's responsibility to ensure the suitability of the product for the environment in which they are to be fitted, that they are installed according to the instructions and that the necessary supervision is in place.