



## Anti-Ligature Multi-Fold Paper Towel Dispenser

### Datasheet

### Description

- Multi-fold paper towel dispenser suitable for different paper towel types.
- Contemporary angular design reduces the potential to attach a ligature for the purposes of self-harm.
- Internal 2mm stainless steel brackets provide strength to protect against vandalism.
- Strong baton lock protects the contents.
- Easy for staff to refill.
- Manufactured from high grade stainless steel for robustness and durability.
- Also available in white & blue to provide high contrast identification to aid recognition for individuals with dementia
- Finished with an attractive brushed steel surface or powder coated.



### Code:

**145281** - White Dispenser with Blue Wall Plate

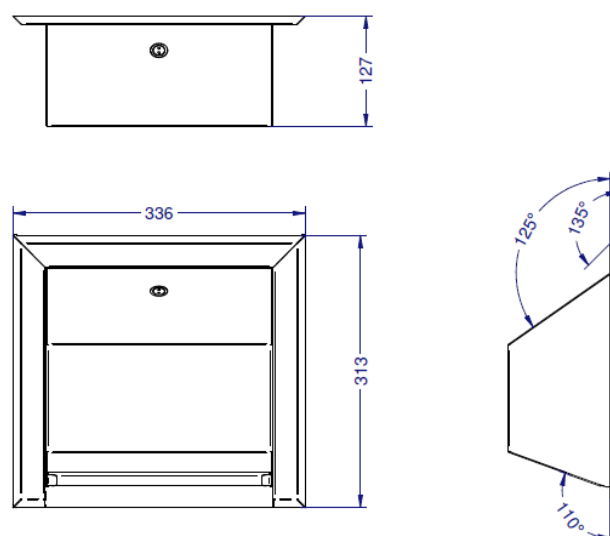
**145617** - White Dispenser with White Wall Plate

**145613** - Brushed Stainless Steel

Available finishes:



<b>Material</b>	Stainless Steel
<b>Dispenser Dimensions:</b>	259mm[W] x 250mm[H] x 126mm[D]
<b>Wall Plate Dimensions:</b>	336mm[W] x 313mm[H] x 10mm[D]
<b>Complete Dimensions:</b>	336mm[W] x 313mm[H] x 127mm[D]
<b>Internal Dimensions for Paper:</b>	250mm[W] x 150mm[H] x 120mm[D]
<b>Finish:</b>	Brushed or Powder Coated



The anti-ligature design features of this product do not replace or substitute the need for the necessary supervision of those who may be at risk, or for other protective measures to be taken in the specific circumstances of usage.

Hipac does not claim any product to totally prevent ligatures being attached or make claims that they cannot be damaged by intent through vandalism. It is therefore the customer's responsibility to ensure the suitability of the product for the environment in which they are to be fitted, that they are installed according to the instructions and that the necessary supervision is in place.