



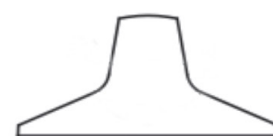
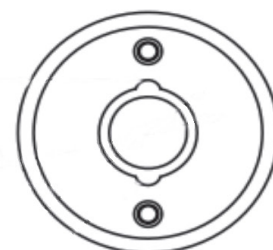
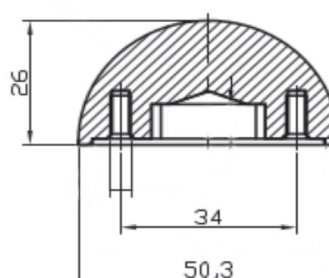
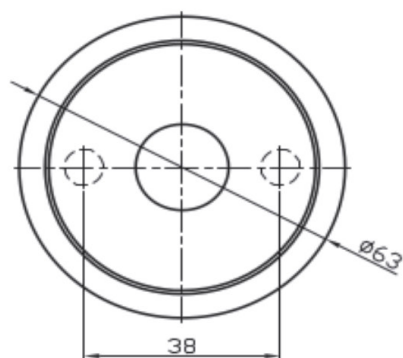
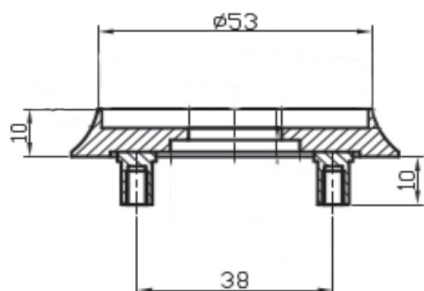
Anti-Ligature Turn Release Set with Indicator

Datasheet



Product Code: 145120

- Anti-Ligature Thumbturn.
- 304 medical grade stainless steel.
- Easy grip turn.
- Supplied with Override Key.
- Finished edges.
- 60mm rose [38mm bolt thru centres].
- 8mm spindle.
- Surface mounted.
- Supplied with Anti-Tamper fixings.



ABOUT HIPAC

We are an Australian healthcare company that guarantees to stand behind all our medical products, both manufactured and imported, because we're here for the life of our products and clients.

PO Box 797, 36 Long St. Goulburn NSW 2580, Australia
P. +61 2 4823 0000 E. info@hipac.com.au

SYDNEY | MELBOURNE | BRISBANE | ADELAIDE | PERTH

hipac.com.au

ABN 27 600 353 688