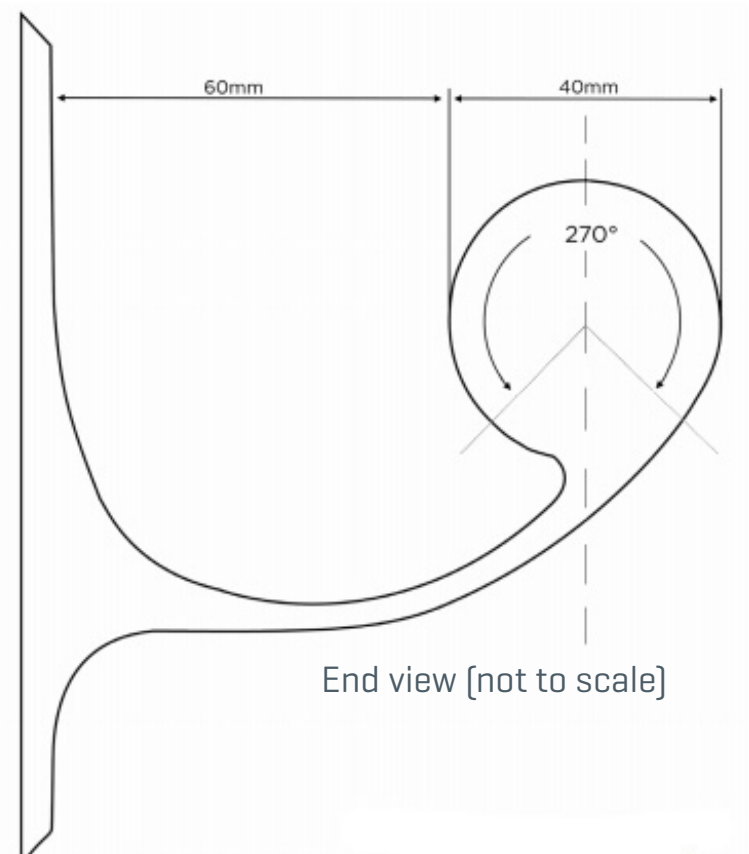
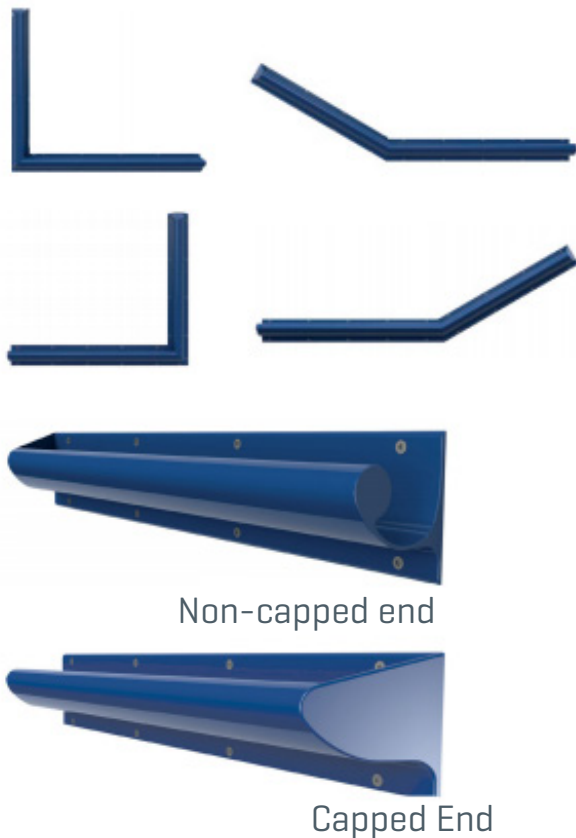




Example Configurations



One end of the contour grab rail has an angled cap to prevent ligatures. This is installed at the top of a vertical rail or whichever end of a horizontal rail is most convenient.

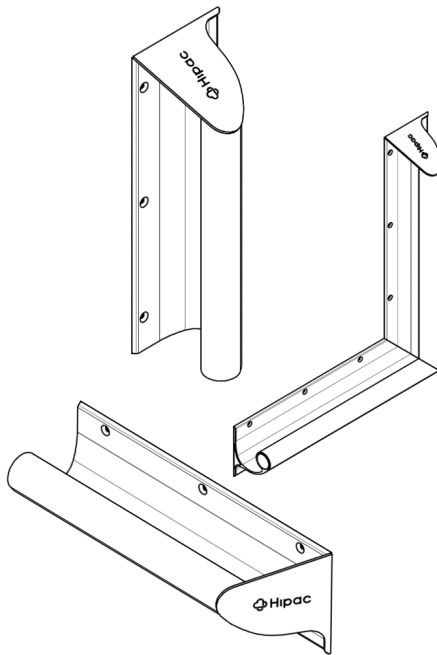
One end remains open for easy drainage and cleaning. This minimises infection control risks associated with other in-filled grab rails.

Technical Data

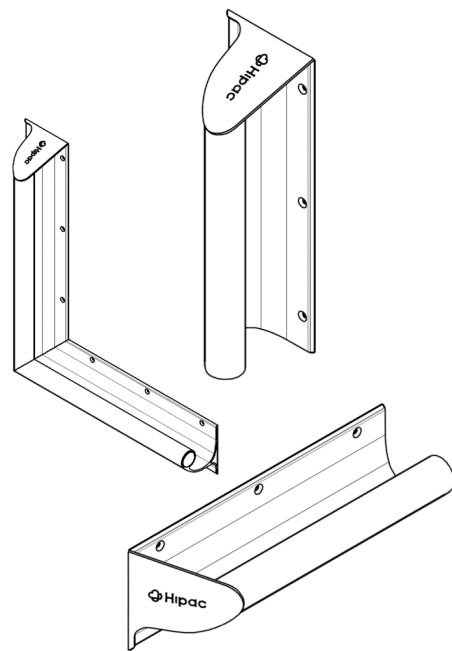
Configuration	Available in lengths up to 6m in length. Can be mitre joined at 30, 45, or 90 degrees
Fixings	Rails have countersunk fixing points to suit 12G Screw head.
Finishes	Aluminium Construction. Powder coated finish.



Left Handed Grab Rails



Right Handed Grab Rails



General Guide/Recommendations [refer to above images]:

- For wet areas, the uncapped end of the grab rail should be closest to the floor waste/drain.
- Vertical grab rails are based on comfort/preference for handing, with capped end always being on the top/ceiling side, and uncapped end closer to the ground.
- Horizontal and angled grab rails are defined by the uncapped end – for example, a 600mm Hipac grab rail with the right end uncapped, would be a right handed grab rail, and vice versa for the left handed grab rail.

ABOUT HIPAC

We are an Australian healthcare company that guarantees to stand behind all our medical products, both manufactured and imported, because we're here for the life of our products and clients.

PO Box 797, 36 Long St. Goulburn NSW 2580, Australia
P. +61 2 4823 0000 E. info@hipac.com.au

SYDNEY | MELBOURNE | BRISBANE | ADELAIDE | PERTH

hipac.com.au

ABN 27 600 353 688