

## Dual, Variable-Focus 24" LED Surgical Light Fixture with Dual Monitor Arms

LFSLFSAUA55, LFSLFSAUA5TV5, LFSLFSAUA55TV



Model LFSLFSAUA55

### Technical Data

Fixture Weight: 265 kg

Moment Load: 1936 N·m

Minimum Ceiling Height: 2997mm

Maximum Ceiling Height: 3289mm

Electrical: 100-240VAC, 148-240VA, 50/60 Hz, 1 phase

Max Intensity at 1 meter [lux]: @4100K = 320,000

@4500K = 281,000

Central Illuminance at 1 meter [lux]: @4100K = 160,000

@4500K = 140,500

CRI: @4100K = 95 @4500K = 96

Color Temperature: @4100K @4500K

Total Irradiance [watts/m<sup>2</sup>]: @4100K = 532.3

@4500K = 475.9

R9: @4100K = 91 @4500K = 9

### Architectural Specification

The Aurora Four surgical lighting system consists of a ceiling mounted radial arm system with dual Flat Screen monitor mounts and two 24" [610mm] diameter lightheads. Flat Screen monitor mount arms provide 340° rotation at the ceiling mount with adjustable stops. Monitor mounts provide 540° of rotation, 150° of tilt and will accommodate up to a 20 pound [9 kg] flat screen monitor. Continuous 360° rotation is provided at all lighthead rotation points.

Standard lightheads are equipped with a sterilizable center handle that allows surgeon control of lighthead positioning, focus and intensity. A focus knob and positioning handles are provided on the side of the lighthead for non-sterile control.

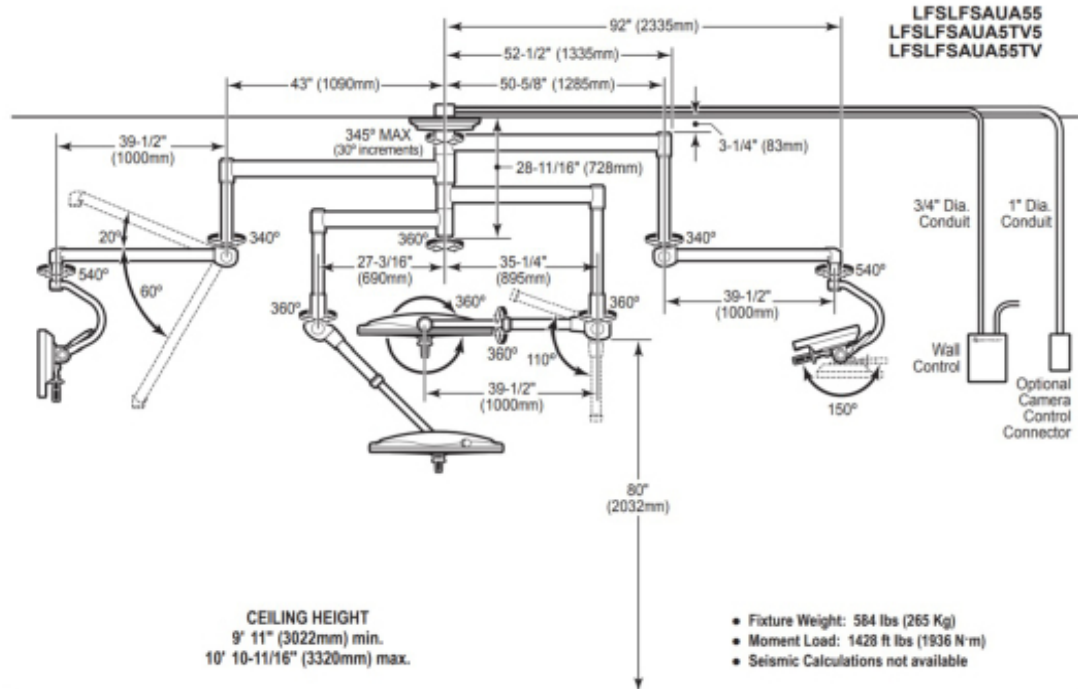
Each 24" [610mm] lighthead contains 5 focusable LED pods. Each focusable pod contains 7 individual LEDs with VSRD reflector technology. Each lighthead also contains 12 fixed focus center mounted LEDs. Total system output is 320,000 lux at a color temperature of 4,100K. LED life expectancy is 40,000 hours.

SKYTRON Aurora Four series, model LFSLFSAUA55, LFSLFSAUA5TV5 or LFSLFSAUA55TV. Flat screen monitors provided separately.

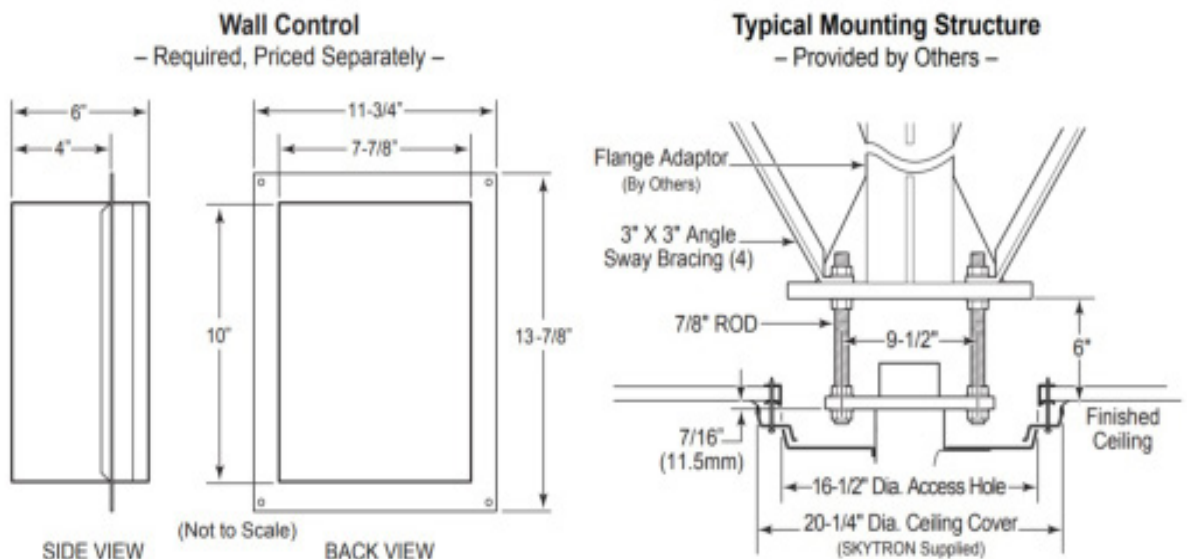
# Dual, Variable-Focus 24" LED Surgical Light Fixture with Dual Monitor Arms

LFSLFSAUA55, LFSLFSAUA5TV5, LFSLFSAUA55TV

## Product Elevation View



## Mounting



Refer to Installation Instructions for specific mounting structure guidelines, wiring and wall control installation details.

### ABOUT HIPAC

We are an Australian healthcare company that guarantees to stand behind all our medical products, both manufactured and imported, because we're here for the life of our products and clients.

PO Box 797, 36 Long St. Goulburn NSW 2580, Australia  
P. +61 2 4823 0000 E. info@hipac.com.au

SYDNEY | MELBOURNE | BRISBANE | ADELAIDE | PERTH

hipac.com.au

ABN 27 600 353 688