

Dual, Variable-Focus 30" LED Surgical Lighting with Dual Monitor Arms

LFSLFSUA7, LFSLFSUA7TV

Technical Data

Fixture Weight: 603 lbs [274 kg]

Moment Load: 1584 ft lbs [2148 N·m]

Minimum Ceiling Height: 9'10" [2997mm]

Maximum Ceiling Height: 10' 9-1/2" [3289mm]

Electrical: 100-240VAC, 148-240VA, 50/60 Hz, 1 phase

Max Intensity at 1 meter [lux]: @4100K = 320,000

@4500K = 286,500

Central Illuminance at 1 meter [lux]:

AUA5 @4100K = 160,000 @4500K = 140,500

AUA7 @4100K = 160,000 @4500K = 146,000

CRI: AUA5 @4100K = 95 @4500K = 96

AUA7 @4100K = 95 @4500K = 95

Color Temperature: @4100K @4500K

Total Irradiance [watts/m²):

AUA5 @4100K = 532.3 @4500K = 475.9

AUA7 @4100K = 523.6 @4500K = 483.7

R9: AUA5 @4100K = 91 @4500K = 95

AUA7 @4100K = 89 @4500K = 97



Model LFSLFSUA75

Architectural Specification

The Aurora Four surgical lighting system consists of a ceiling mounted radial arm system with dual Flat Screen monitor mounts, a 30" [762mm] diameter lighthead and a 24" [610mm] diameter lighthead. Flat Screen monitor mount arms provide 340° rotation at the ceiling mount with adjustable stops. Monitor mounts provide 540° of rotation, 150° of tilt and will accommodate up to a 20 pound [9 kg] flat screen monitor. Continuous 360° rotation is provided at all lighthead rotation points.

Standard lightheads are equipped with a sterilizable center handle that allows surgeon control of lighthead positioning, focus and intensity. A focus knob and positioning handles are provided on the side of the lighthead for non-sterile control.

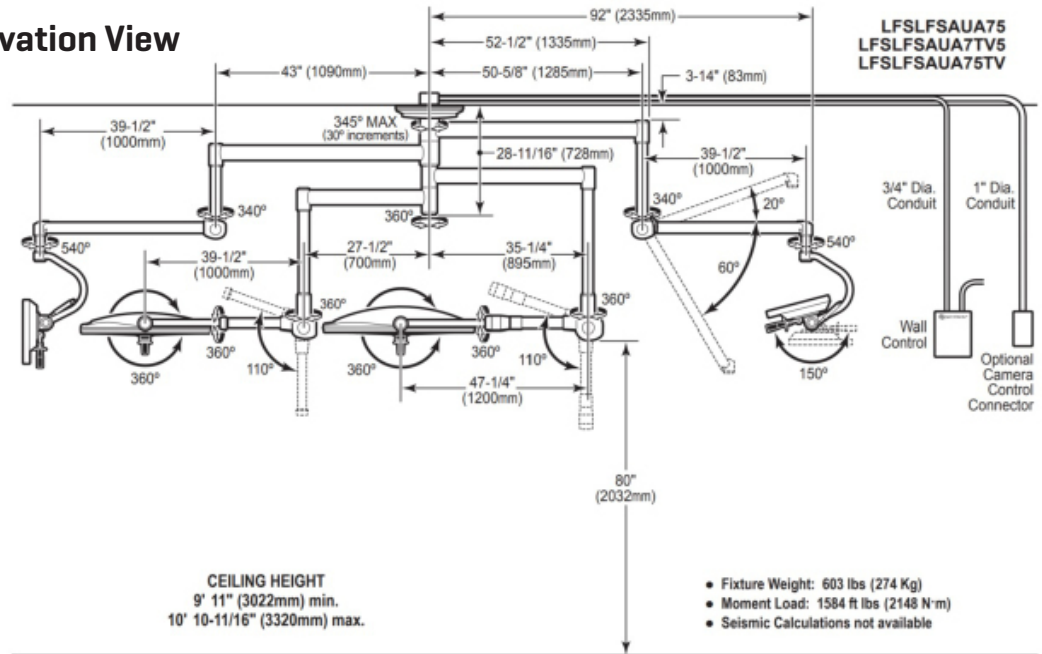
The 30" [762mm] diameter lighthead contains 7 focusable LED pods and the 24" [610mm] lighthead contains 5 focusable LED pods. Each focusable pod contains 7 individual LEDs with VSRD reflector technology. Each lighthead also contains 12 fixed focus center mounted LEDs. Total system output is 320,000 lux at a color temperature of 4,100K. LED life expectancy is 40,000 hours.

SKYTRON Aurora Four series, model LFSLFSUA75, LFSLFSUA7TV5 or LFSLFSUA75TV. Flat Screen monitors provided separately.

Dual, Variable-Focus 30" LED Surgical Lighting with Dual Monitor Arms

LFSLFSUAU7, LFSLFSUAU7TV

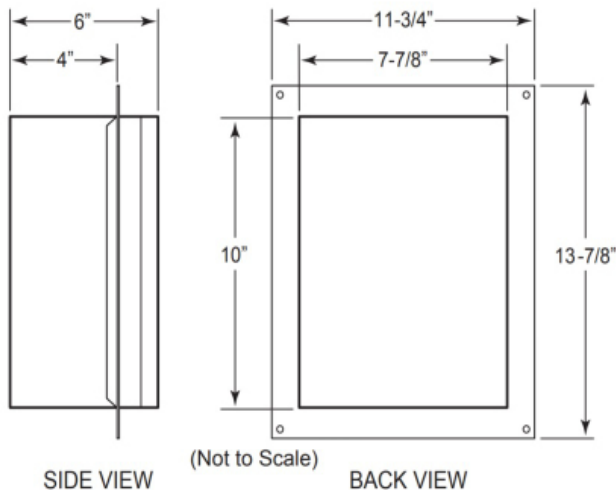
Product Elevation View



Mounting

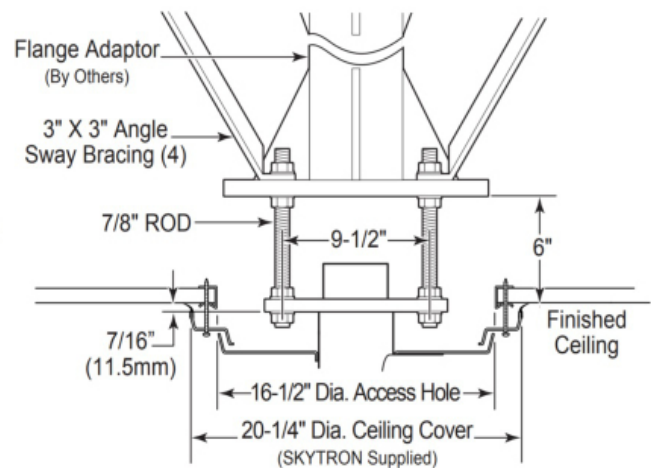
Wall Control

– Required, Priced Separately –



Typical Mounting Structure

– Provided by Others –



Refer to Installation Instructions for specific mounting structure guidelines, wiring and wall control installation details.

ABOUT HIPAC

We are an Australian healthcare company that guarantees to stand behind all our medical products, both manufactured and imported, because we're here for the life of our products and clients.

PO Box 797, 36 Long St. Goulburn NSW 2580, Australia
P. +61 2 4823 0000 E. info@hipac.com.au

SYDNEY | MELBOURNE | BRISBANE | ADELAIDE | PERTH

hipac.com.au

ABN 27 600 353 688