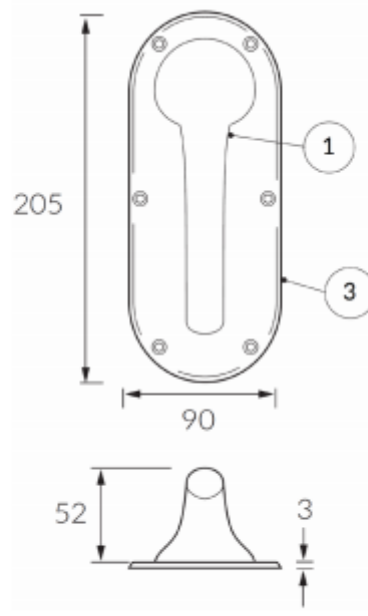
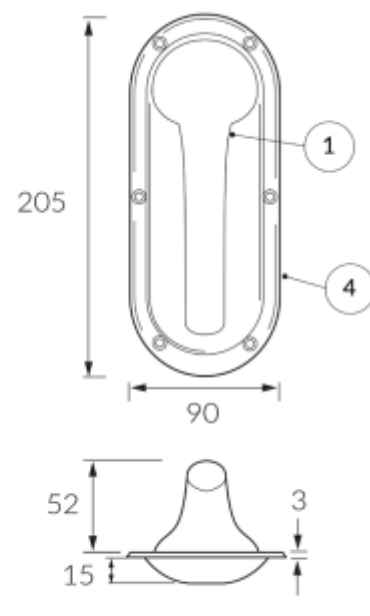


117155



116118



141312

Material:

Handle: Die-cast Mazak 5 handle. Electro-plated SSS Finish.

Flat Backplate: 3mm Chamfered Mild Steel. Electro-plated SSS Finish.

Recessed Dish: Die-Cast Mazak 5 handle. Electro-plated SSS Finish

Fixings: 6 lobe pin-torx anti-tamper stainless steel security screws.

Cleaning: Proprietary baby oil and soft cloth

ABOUT HIPAC

We are an Australian healthcare company that guarantees to stand behind all our medical products, both manufactured and imported, because we're here for the life of our products and clients.

PO Box 797, 36 Long St. Goulburn NSW 2580, Australia
P. +61 2 4823 0000 E. info@hipac.com.au

SYDNEY | MELBOURNE | BRISBANE | ADELAIDE | PERTH

hipac.com.au

ABN 27 600 353 688