

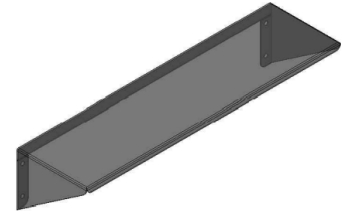


## Exposed Mount Stainless Steel Shelf

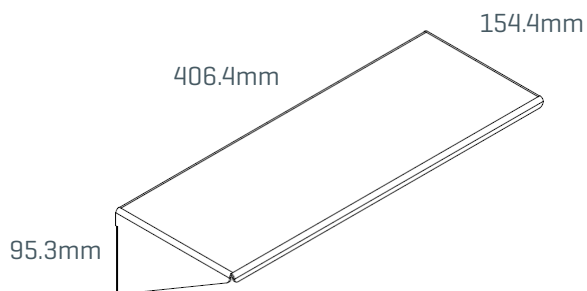
### Datasheet

#### Introduction

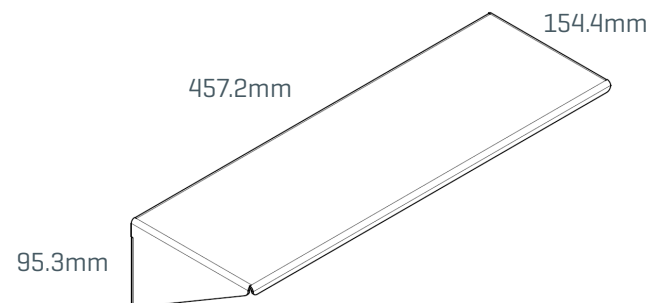
A durable shelf constructed entirely of 304 grade stainless steel. Easy to clean, robust and designed to limit the potential for ligature risks, it is fixed to the wall with security fasteners, which are supplied with the unit.



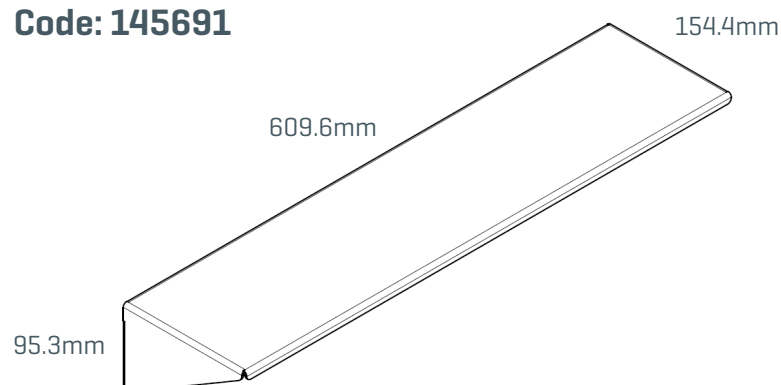
#### Code: 145690



#### Code: 141300



#### Code: 145691



\*Custom sizes available to order.

#### ABOUT HIPAC

We are an Australian healthcare company that guarantees to stand behind all our medical products, both manufactured and imported, because we're here for the life of our products and clients.