

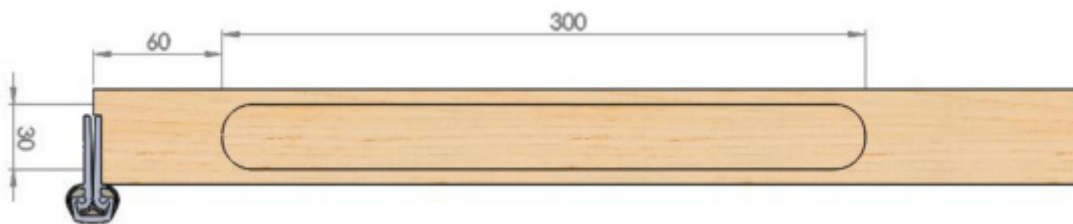


## Floor Mounted Door Closer with Single Swing Hinge

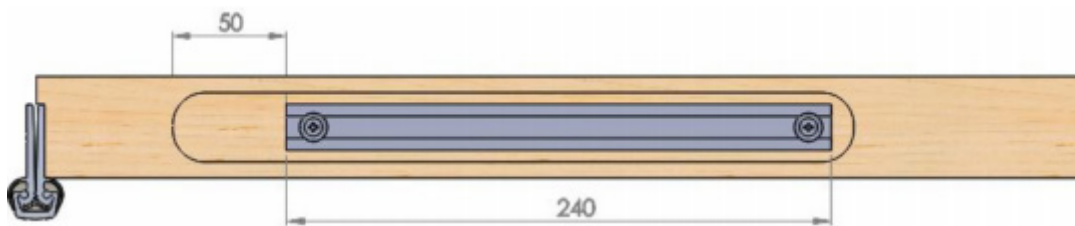
### Fitting Instructions

See page 6 if 180° motion is required.

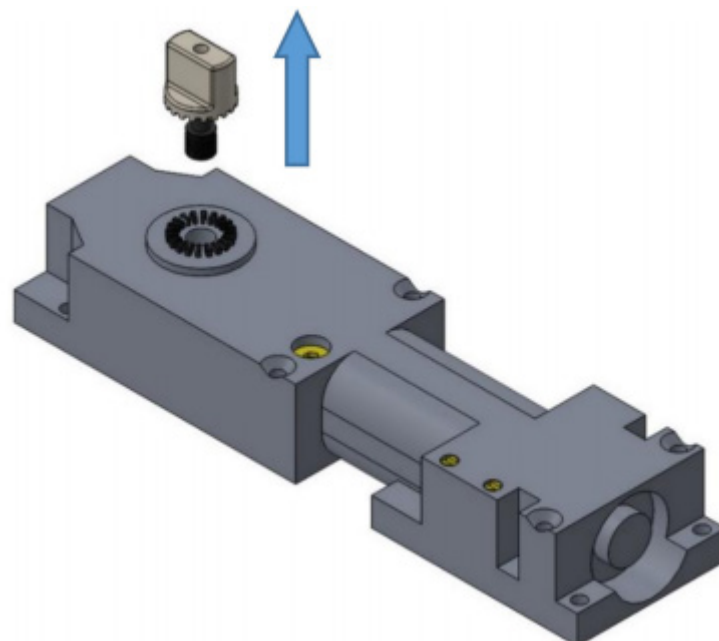
1. On the bottom side of the door, on the side closes to the hinge a 300mm [L] x 30mm [W] x 20mm [D] rebate is required. This should start 60mm from the door edge and be central to the door. This is to house the sliding arm channel.



2. Leaving at least 50mm to the hinge side, fit the 240mm sliding arm channel in the rebate, using [2X] No. 10 CSK x 1/4" woodscrews [Not provided]. This must be secure.



3. Install the hinge to the door. Do not hang the door.
4. Using a 4mm Allen key, unscrew the grub screw in the top of the pivot point on the closer and remove the geared section.

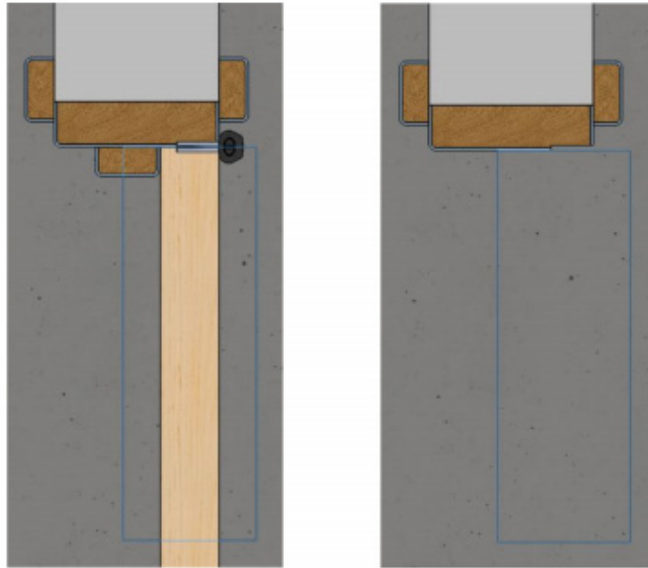




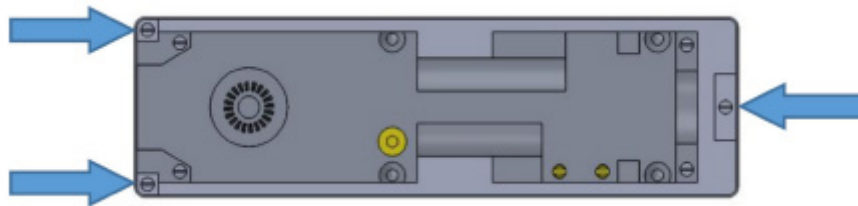
## Floor Mounted Door Closer with Single Swing Hinge

### Fitting Instructions

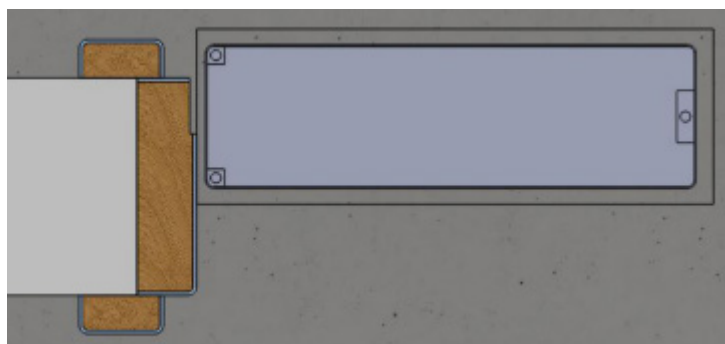
5. Cut a 290mm x 100mm x 50mm hole into the floor to accommodate the closer housing. The hole needs to be central to where the door is going to sit and against the frame. Ensure the hole is no longer than 295mm as the cover plate is 298mm long. If installation is happening after the frame is fitted, removal of the door stop may help with the install.



6. Remove the closer from the housing by unscrewing the 3 locking screws. Once they are loose, the closer should slide out.



7. Place the empty housing in the hole and pack it so it is:
  - Flush with the floor
  - Level
  - Centrally located
  - 5mm in from the frame
  - Mounted with the 2 adjuster screws closest to the frame



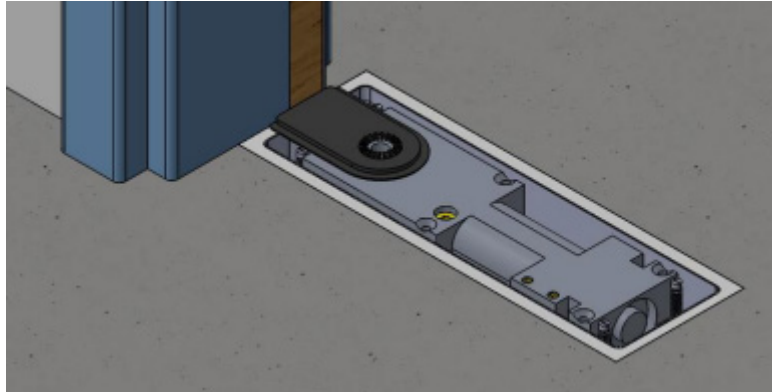
8. Once the housing is located properly, fill the surrounding area with quick drying concrete.



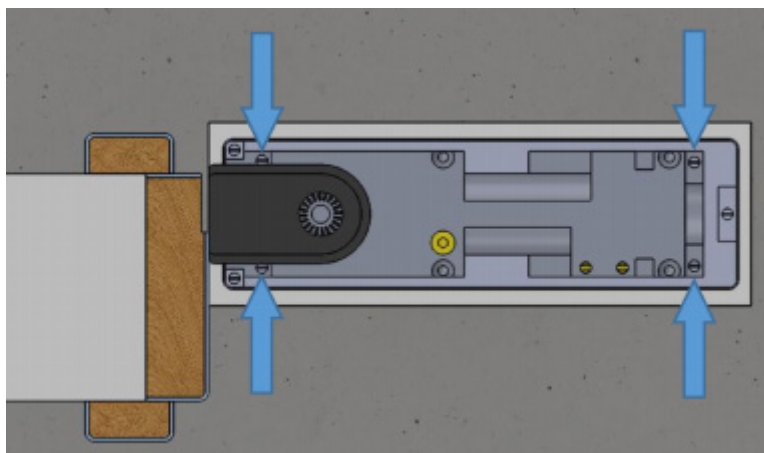
## Floor Mounted Door Closer with Single Swing Hinge

### Fitting Instructions

9. When the concrete is dry, put the closer in the housing. Ensure the pivot is at the frame side, the plastic cover is fitted and the closer is pushed towards the frame.



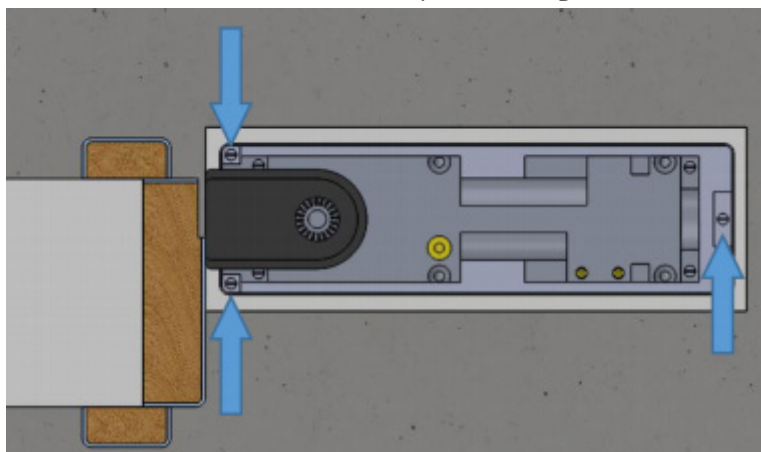
10. Use the 4 adjustment screws to fine tune the closer position, making sure the main body is flush with the floor.



11. Position the closer so it sits:

- Centrally in relation to where the door is going to sit
- With the black plastic cover against the frame

Once in position, tighten the 3 locking screws, ensuring they all grip the closer. These screws must be done up tightly as it is these that hold the closer in position, against the forces the closer exerts.

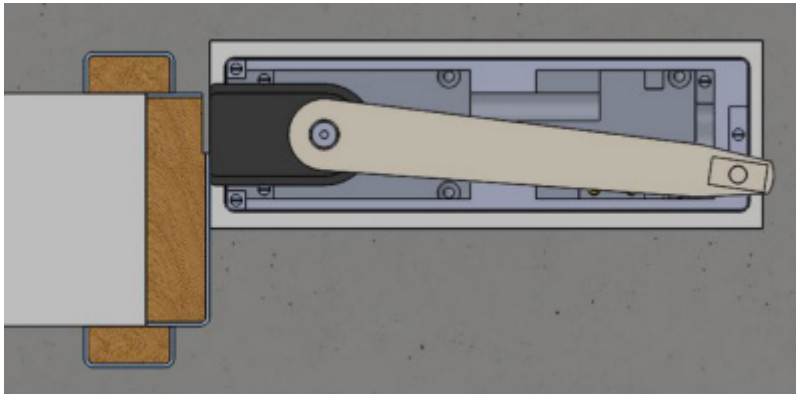




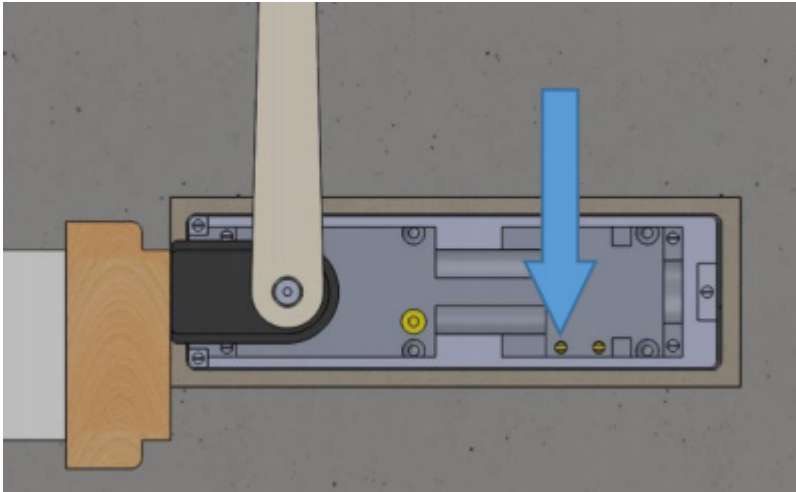
## Floor Mounted Door Closer with Single Swing Hinge

### Fitting Instructions

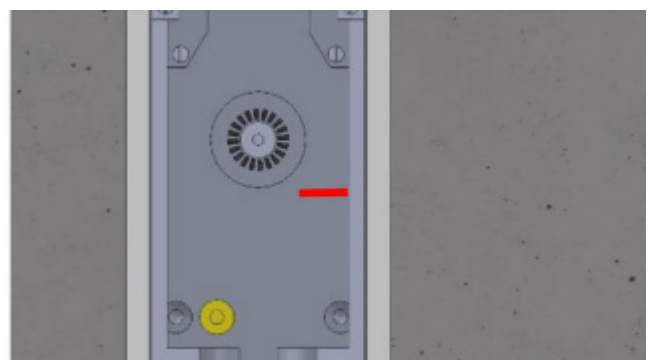
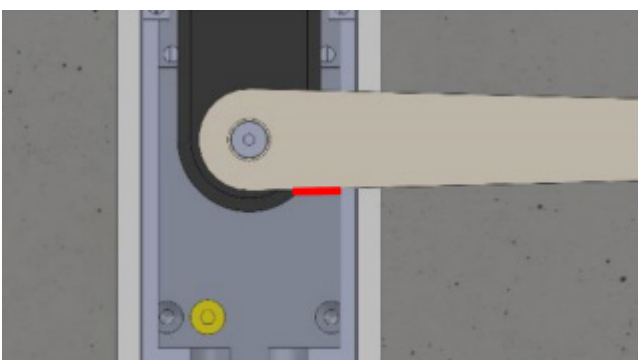
12. Next the sliding arm needs to be fitted. The arm does not sit parallel with the closer, it will sit either side of the centre. It needs to sit roughly  $9^\circ$  from parallel towards the door stop [further than the hinge would allow]. Once in position, fix in place with screw provided in kit.



13. Open the arm to roughly  $90^\circ$  in the direction the door will open, this will require a lot of force. Lock the arm in place by carefully, slowly, tightening the  $180^\circ$ - $15^\circ$  screw fully clockwise. **DO NOT USE AN ELECTRIC DRIVER.**



14. Mark the location of the closer arm on the closer body then remove the closer arm. This mark is needed later when the arm is re-fitted.

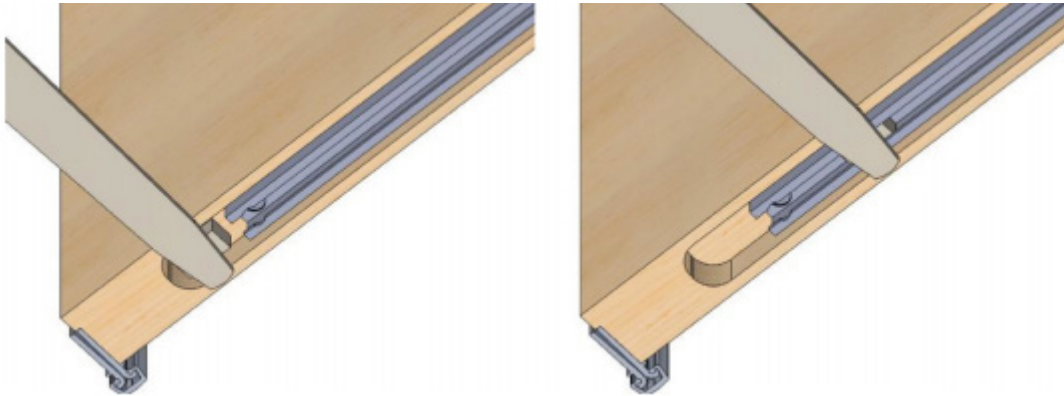




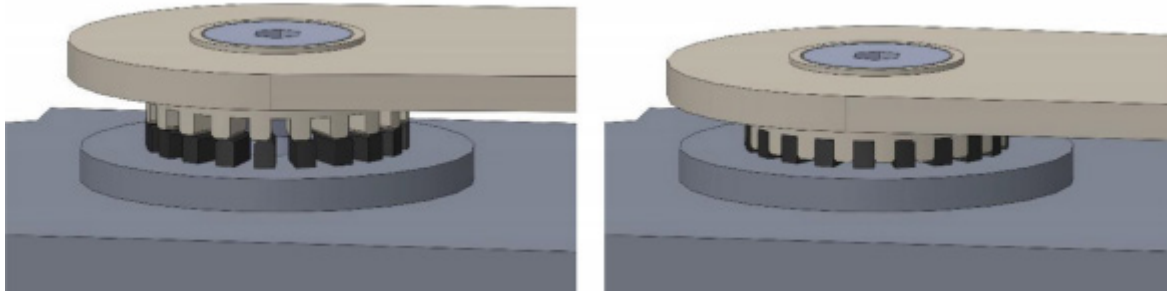
## Floor Mounted Door Closer with Single Swing Hinge

### Fitting Instructions

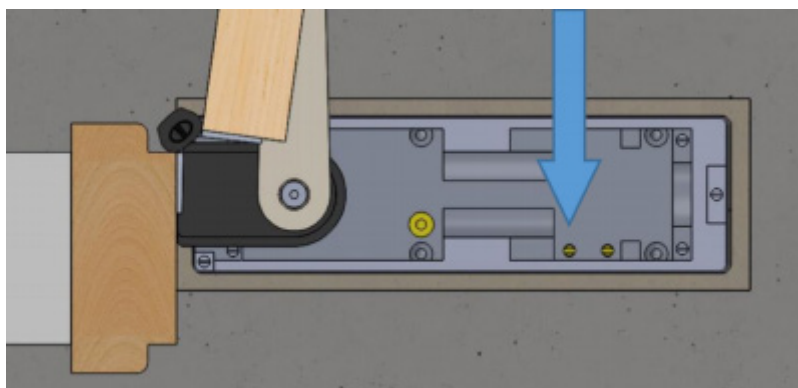
15. Slide the closer arm into the bottom of the door, then hang the door with a few screws to test arm clearance. Make sure there is enough clearance under the door to allow the arm to fix to the closer.



16. Re-fit the closer arm to the closer making sure the arm lines up with the mark from step 14. The door should be at just less than 90° for this step. Fit the arm screw, making sure the arm is properly seated in the closer spline. Opening or closing the door will adjust the angle of the arm if the arm does not line up with the splines initially.



17. Carefully unscrew the 180° -15° screw, tightened in step 12 and the door will begin to close. **DO NOT USE AN ELECTRIC DRIVER.** This screw is used to set the closing speed. **DO NOT FULLY UNSCREW** as this will cause hydraulic fluid to leak and **PERMANENTLY** render the product inoperable. Refer to the setup pages for final setup method.

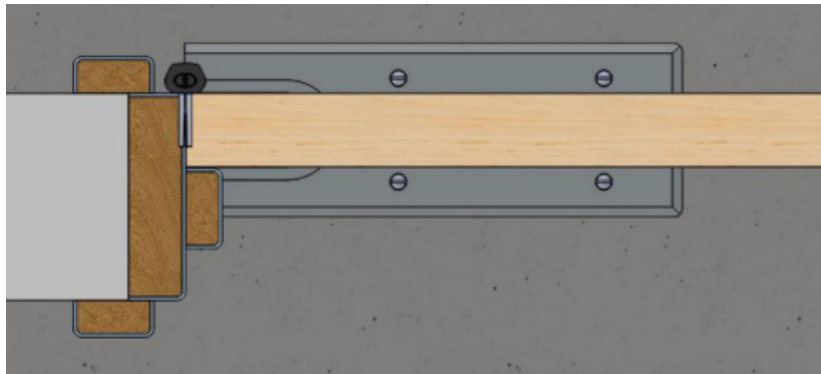




## Floor Mounted Door Closer with Single Swing Hinge

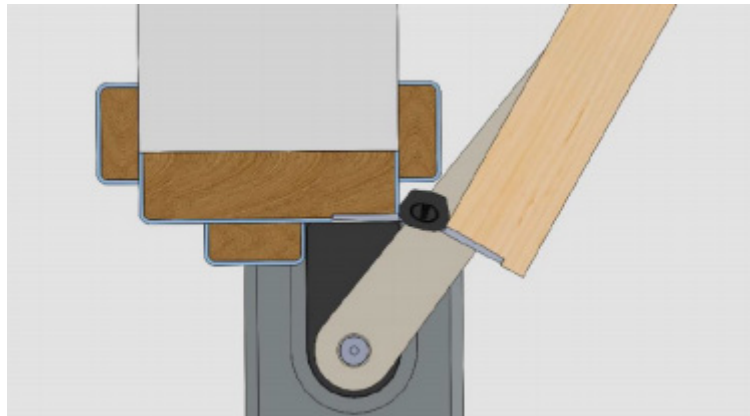
### Fitting Instructions

18. Once happy with the clearance and operation of the closer, fit the remaining fixing screws for the hinge.
19. Finally fit the cover plate and fix with supplied screws. The door should be held open for this step.
20. If the door stop was removed in step 5 it can now be re-fitted.

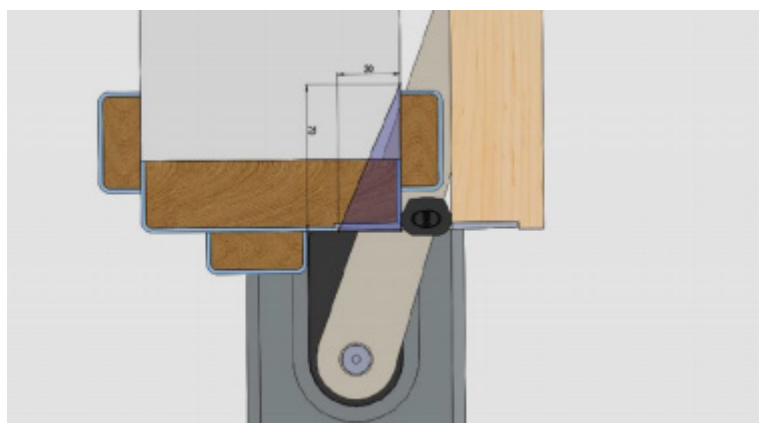


When our recommended frame arrangement is used, the door will open to around 150°. If the full 180° movement the hinge is desired, some of the frame liner, arc and possibly wall needs to cut away at ground level. The cut out will vary between door sets but as a guide 30mm in from the wall, 70mm in from the hinge leaf and 15mm high, flush with the floor.

150°



180°



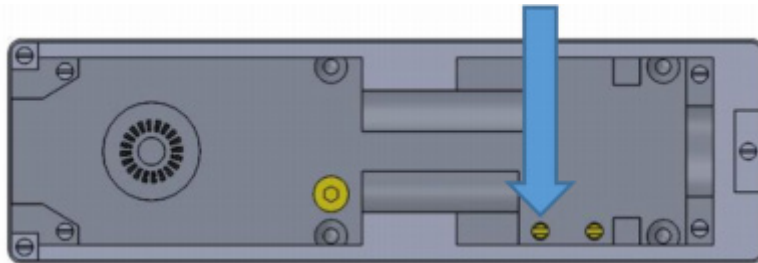




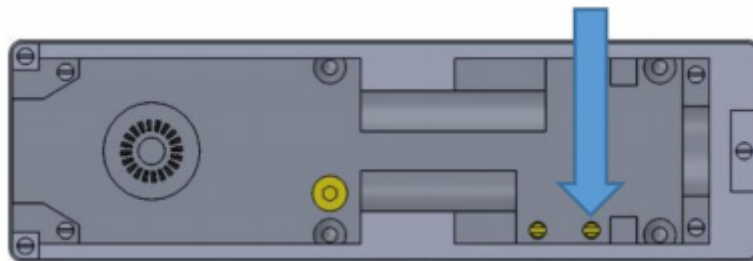
### Geze Closer Setup

When setting up the Geze closer, the building should be in operating conditions. E.g doors and windows closed. This is to eliminate any drafts or air pressure as this will change the way the closer behaves. **DO NOT USE AN ELECTRIC DRIVER ON ANY PART OF THE CLOSER**

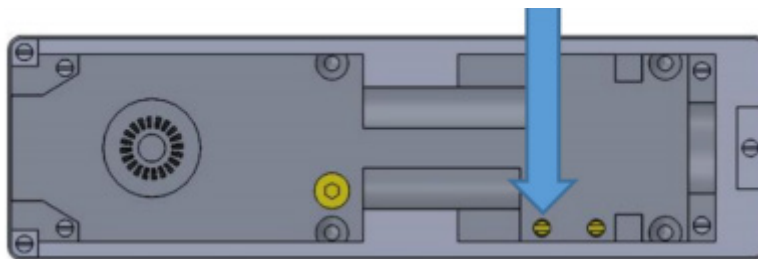
1. Open the door to between 80° - 90°.
2. Lock door in position by tightening the 15°-180° [closing speed] screw until it begins to tighten, the door should hold open.



3. Tighten 0°-15° [latching speed] screw until it begins to tighten.



4. Unscrew the closing speed screw until the door begins to close. Keep unscrewing until the desired closing speed is achieved. This should be adjusted at 1/8 turn at a time. Do not fully unscrew this as the closer will be rendered inoperable permanently.

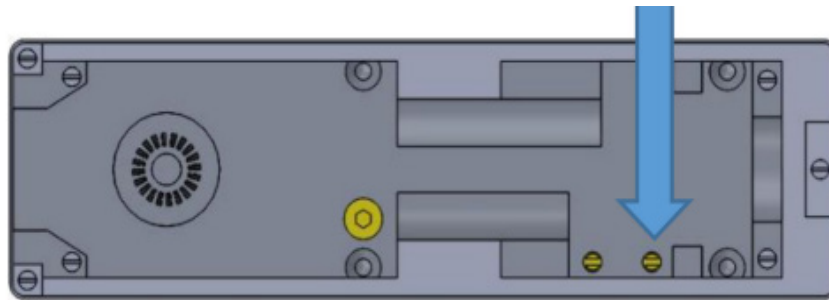


5. If the latching function is too soft to latch the door fully, begin to unscrew the latching speed screw. This should be adjusted at 1/4 turn at a time. Do not fully unscrew this as the closer will be rendered inoperable permanently.
6. If the door will not latch properly, more closing speed is required [unscrew closing speed screw] then re-adjust the latching speed screw.



### Geze closer latching issue resolution

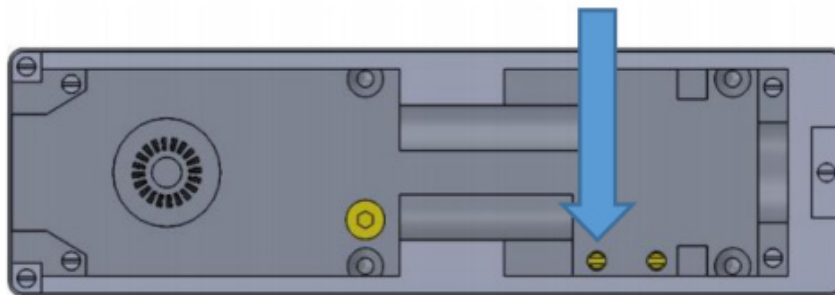
Issue: Slamming / Not fully closing



DO NOT USE AN ELECTRIC DRIVER ON ANY PART OF THE CLOSER

If the Geze closer is slamming the door closed with no obvious latching function follow these steps:

1. Screw the 0°-15° [latching speed] screw in fully [clockwise].



2. Test the operation, if the latching is now functioning then adjust the screw by unscrewing [anti-clockwise] it until the desired latching speed is achieved. Follow the setup instruction.
3. If the door still slams without an obvious latching motion the arm is mounted on the spline incorrectly.
4. Re-tighten the latching speed screw.
5. Open the door enough so the main fixing screw on the pivot point of the arm is accessible. Make sure the door has room to open further.
6. Lock the arm in position tightening the 15°-180° [closing speed] screw until the door remains in the open position.
7. Loosen the arm screw until the arm can lift enough to clear the splines.

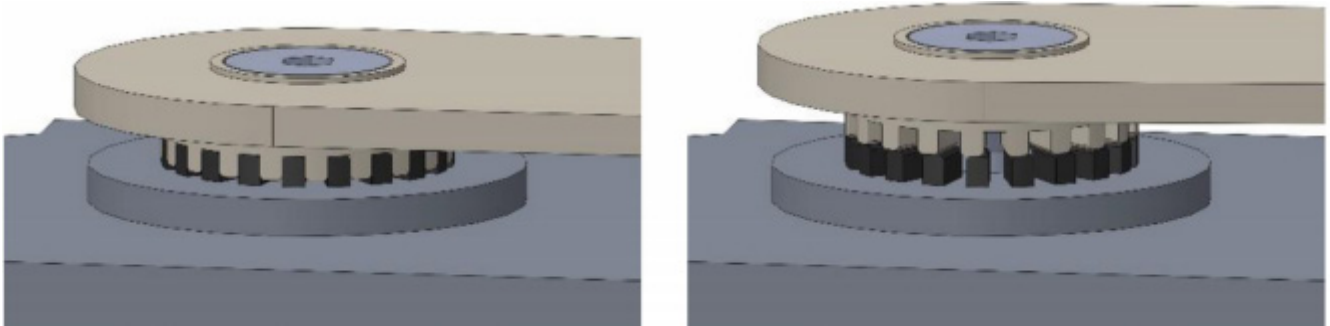




## Floor Mounted Door Closer with Single Swing Hinge

### Fitting Instructions

#### Geze closer latching issue resolution



8. Lift the arm up, away from the splines and begin to open the door. As the arm rotates, push down on the arm whilst opening the door, you should feel the spline drop into the next position on the spline. The angle between positions on the spline is 18°.
9. Tighten the arm screw to lock the arm in position on the spline. Make sure the teeth are properly engaged before proceeding.
10. Release the closing speed screw until the door begins to close. Observe the closing motion.
  - If the door still slams, try adjusting the latch adjustment screw. If the closer still operates without latching repeat step 4-9 for another step on the spline.
  - If the door closes but stops before the door stop then you have adjusted the arm one position too many on the spline. Repeat steps 4-9 however once at step 8, close the door one step on the spline instead of opening.

\*Sealing compound is recommended to be installed with these closers to protect against moisture and dirt [Order Code #144271]

#### ABOUT HIPAC

We are an Australian healthcare company that guarantees to stand behind all our medical products, both manufactured and imported, because we're here for the life of our products and clients.

PO Box 797, 36 Long St. Goulburn NSW 2580, Australia  
P. +61 2 4823 0000 E. [info@hipac.com.au](mailto:info@hipac.com.au)

SYDNEY | MELBOURNE | BRISBANE | ADELAIDE | PERTH

[hipac.com.au](http://hipac.com.au)

ABN 27 600 353 688