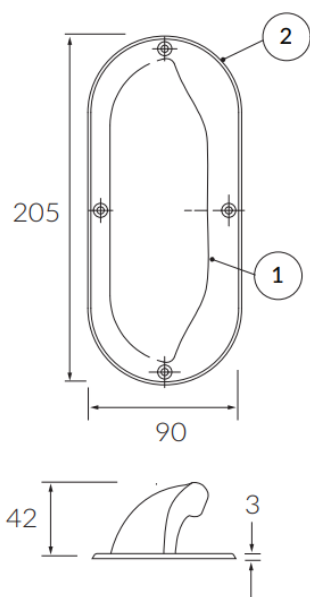


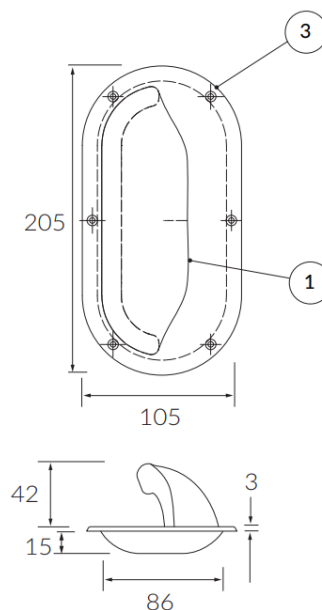
**116239** - 731 Grab Pull Handle Without Backplate



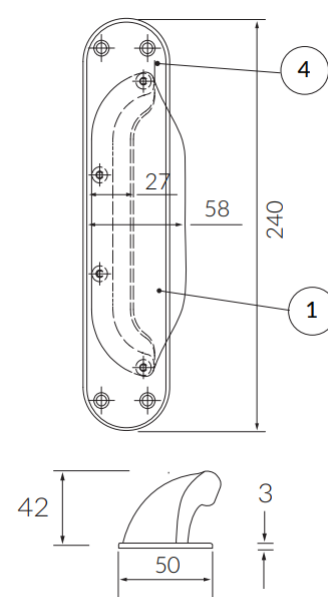
**116240** - 731 Grab Pull Handle on 90 x 205mm Backplate

**116242** - 731 Grab Pull Handles on Back to Back Plates c/w fixings [pair]

**116243** - 731 Grab Pull Handle on Radius Plate Back to Back with Push Plate



**116241** - 731 Grab Pull Handle on Recessed Dish



**141313** - 731 Grab Pull Handles on Narrow Stile Back to Back Plates - 50 x 240mm - c/w fixings [pair]

- Material:** **Handle:** Die-cast Mazak 5 handle. Electro-plated SSS Finish.  
**Flat Backplate:** 3mm Chamfered Mild Steel. Electro-plated SSS Finish.  
**Recessed Dish:** Die-Cast Mazac 5 handle. Electro-plated SSS Finish
- Fixings:** 6 lobe pin-torx anti-tamper stainless steel security screws.
- Cleaning:** Proprietary baby oil and soft cloth.

#### ABOUT HIPAC

We are an Australian healthcare company that guarantees to stand behind all our medical products, both manufactured and imported, because we're here for the life of our products and clients.

PO Box 797, 36 Long St. Goulburn NSW 2580, Australia  
P. +61 2 4823 0000 E. info@hipac.com.au

SYDNEY | MELBOURNE | BRISBANE | ADELAIDE | PERTH

[hipac.com.au](http://hipac.com.au)

ABN 27 600 353 688