



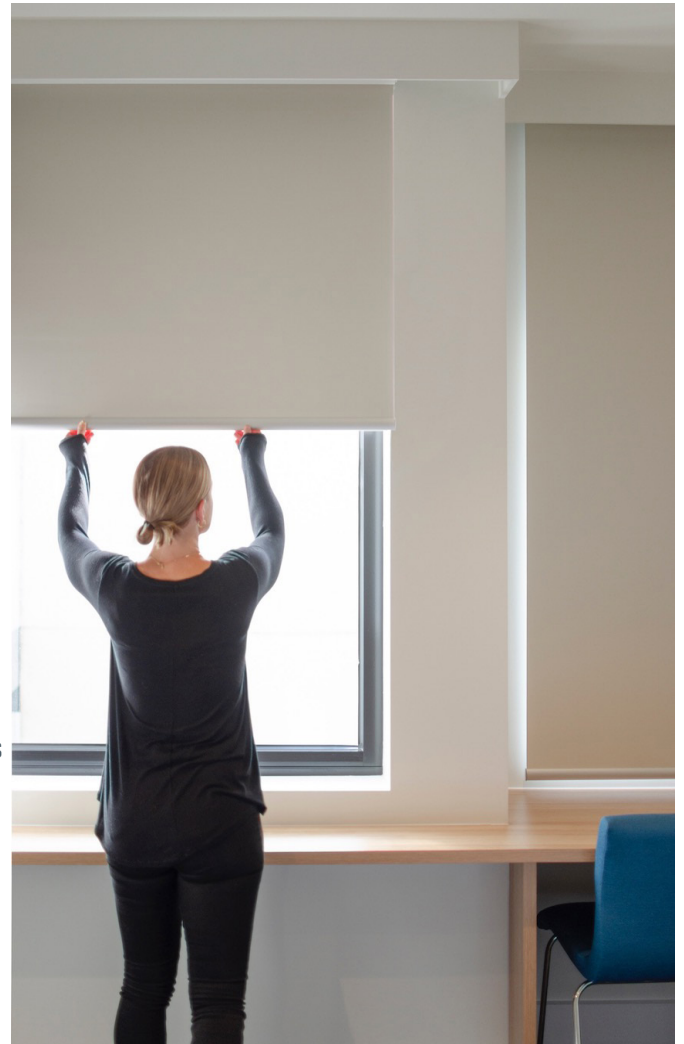
## Hipac Anti-Ligature Roller Blinds

### Datasheet

The Hipac Anti-Ligature Roller Blind System is designed to provide a safe solution for mounting roller blinds in environments where patients are at risk of self-harm or suicide, such as mental health facilities.

This specially designed system uses several key features to reduce the risk of self-harm through strangulation, including:

- The Hipac Anti-Ligature Roller Blind System is designed to work in conjunction with the Kestrel magnetic load release brackets.
- The roller blind uses the spring assisted lift system, which operates without chains or cords and ensures there are no cord loops that can be used for self-harm.
- Kestrel load release brackets ensure that if an abnormal load is applied, such as the weight of a person, the blind will release from the brackets to ensure a ligature cannot occur
- The spring assisted lift system balances the operation of the blind and minimises the chance of the force of operating the blind can cause an unwanted release from the brackets.
- Kestrel load release brackets are available in both top and face fix configurations





## Hipac Anti-Ligature Roller Blinds

### Datasheet

#### All Brackets

This system should be regularly inspected to ensure that there is no damage or evidence of tampering with the fittings.

#### Fitting Instructions

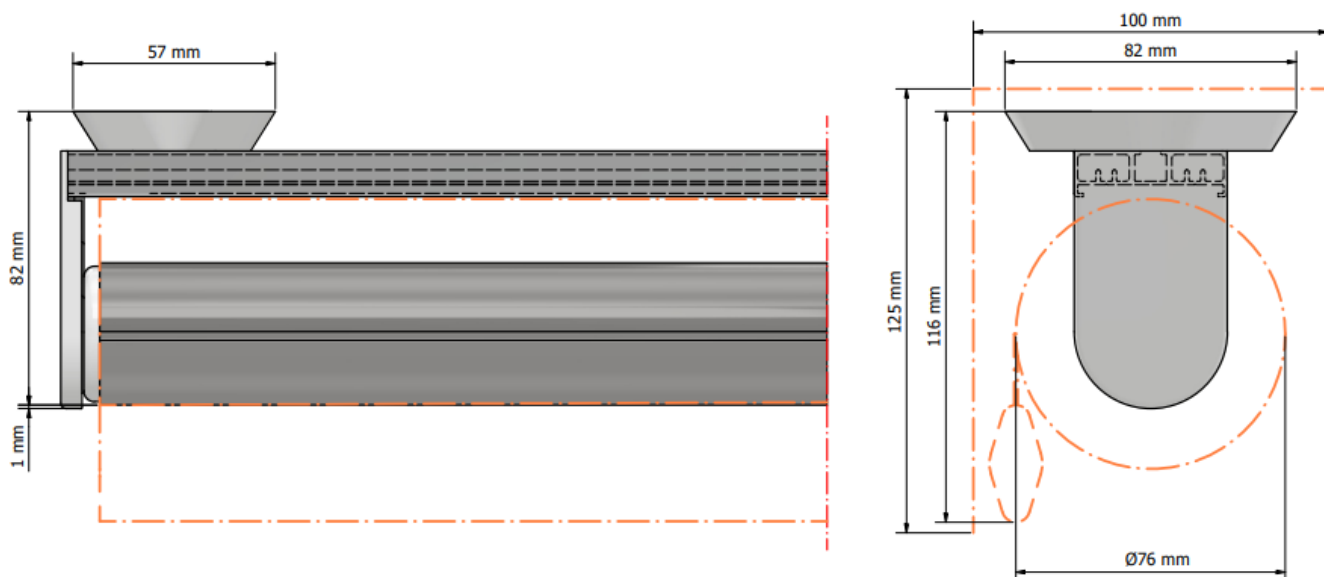
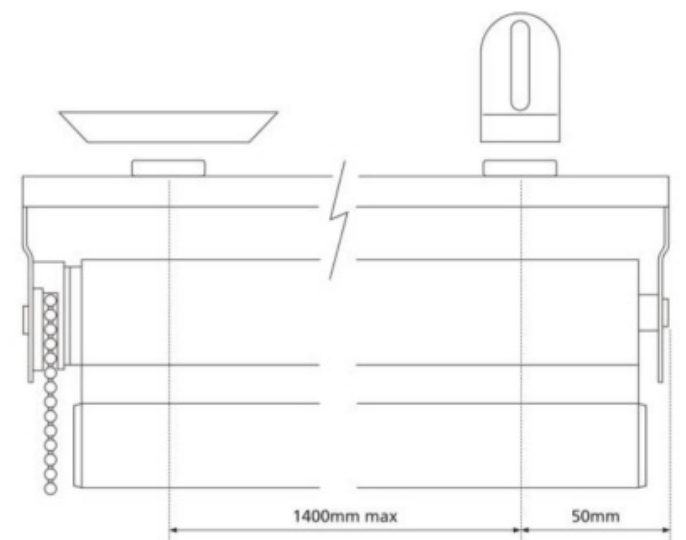
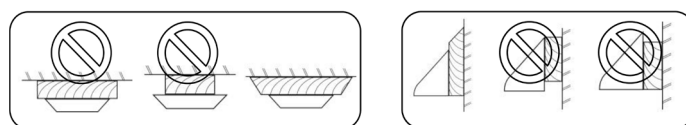
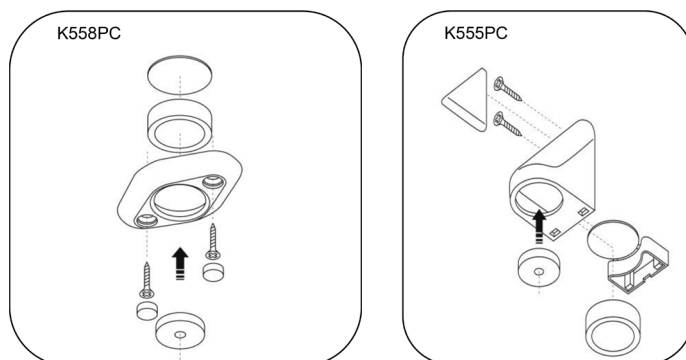
Attach the discs to tracks with countersunk screws or rivets as per the below spacing guide and as evenly as possible.

Suggested number of brackets are as follows:

Width	# of Brackets
Up to 1500mm	2
1500-2700mm	3
2701-3200mm	4

Check position and height of blind ensuring it will hang correctly and that no obstructions will prevent the blind collapsing.

Fit securely to substrate in accordance with drawings, ensuring the correct size and quantity of fixing screws are used.



Shown with the K558PC Top Fix Bracket