



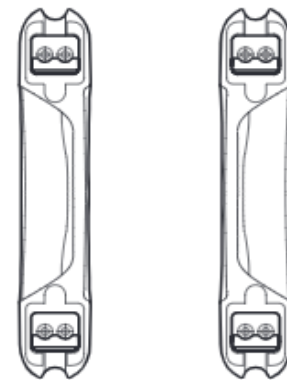
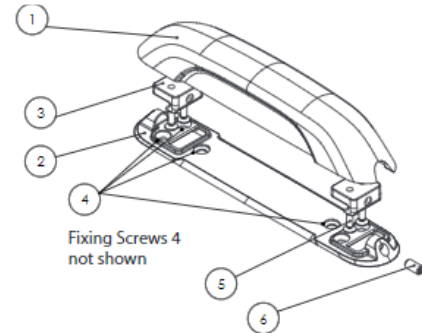
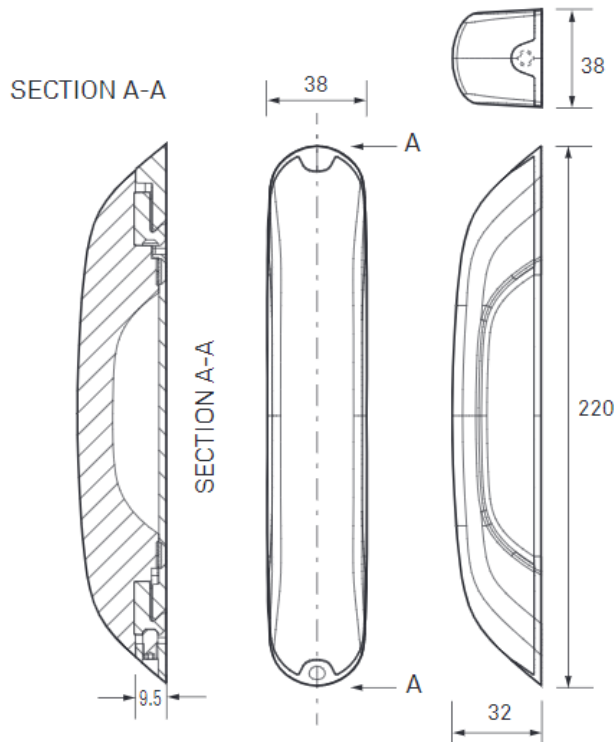
## Hipac Primera SafeHinge Suregrip Handle on Hidden Plate

Datasheet

### Codes:

142949 - 732 Sure Grip Pull Handle on Hidden Backplate 40 x 220mm

143360 - 732 Sure Grip Pull Handle on Hidden Plate, Back to Back [Pair]



Viewed from the underside RH Grip    Viewed from the underside LH Grip

### Parts List:

Item	QTY	Description	Part Number
1	1	732 Suregrip Handle	B310115
2	1	Suregrip Handle Baseplate	B310116
3	2	Suregrip Handle Baseplate Fixing Blocks	B310117
4	6	10 x 1.25x 6 Lobe Pin Torx C/S Self Tapping	
5	4	M4 x 10 x 4 Lobe Pin Torx C/S MS	
6	1	M6 x 12mm Set Screw	

The handle Item 1 is not handed. Ensure the set screw [6] is always at the bottom of the assembly when mounted.

**Material** Handle: Die-cast Mazak 5 handle. Electro-plated SSS finish  
**Fixings** 6 Lobe pin-torx anti-tamper stainless steel security screws  
**Maintenance** Cleaning: Proprietary baby oil and soft cloth

### Standards

Item	Part Number	Primera Code	DHF T001: 2013
1		PR-4-732H	Passed A4