



INTAGlaze is a tried and tested vision panel that ensures the security and dignity of both staff and service users. The quiet, manually operated panel requires absolutely no wiring or mains power. Fire rated and non-fire rated available.

Size Rectangular 254 x 804mm, Square 404 x 404mm or Special Size.

Finish 22mm panel: 6mm toughened glass on both sides.
26mm panel: 6mm toughened glass on staff side, 10mm toughened glass on patient side.
30mm panel: 10mm toughened glass on both sides.
39mm panel: 10mm toughened glass on staff side, 19mm toughened glass on patient side.
Optional: upgrade to toughened laminated glass e.g. 10.4mm thickness [other thicknesses tbc].

Ironmongery Options Standard - 8mm Key, Lifeline Key, Thumb Turn/Knob

Fixing As per manufacturers recommendations.

Testing Cycle tested to greater than 40,000 cycles [10 years typical use].

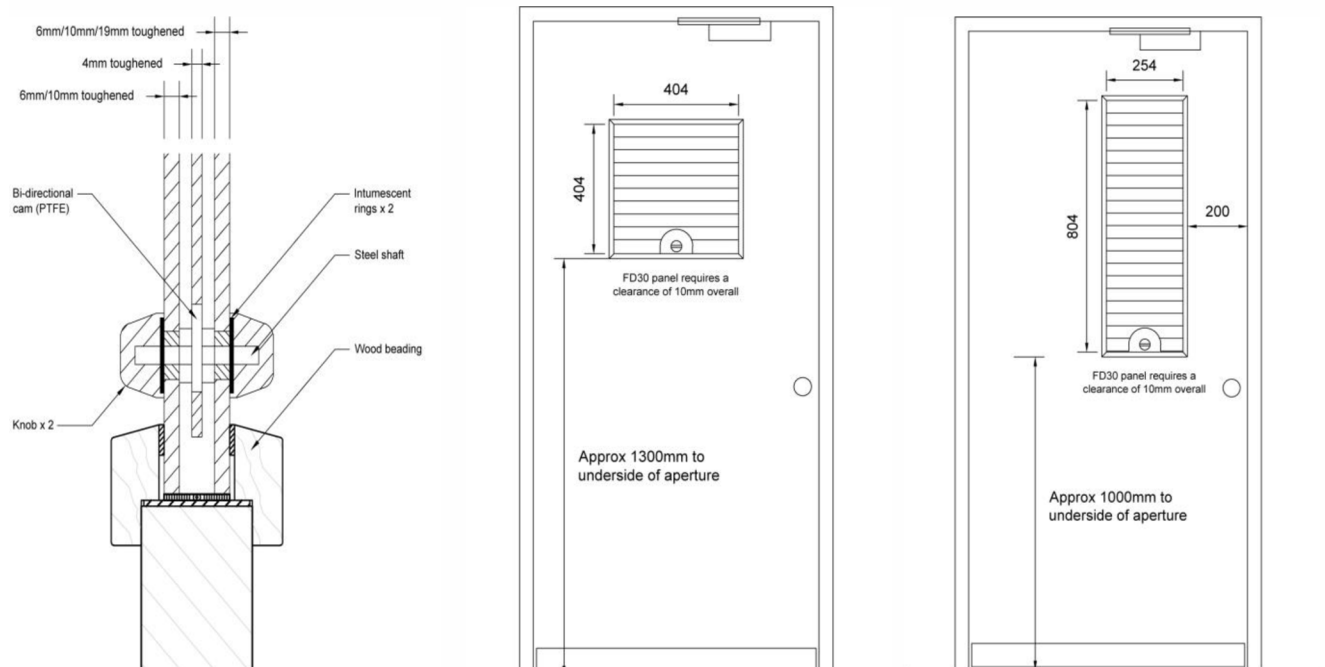
DISCLAIMER: Please note that Hipac offers a range of measures designed to reduce the risk of self-harm or suicide, and does not offer any guarantee that it will not take place. The solutions have been designed as a deterrent only.



INTAGlaze Benefits

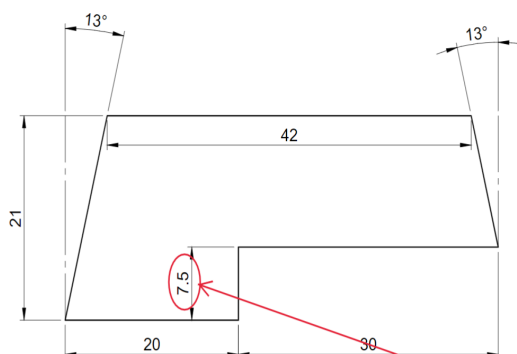
- ▶ Monitor patients easily and safely whilst still allowing a level of privacy.
- ▶ Staff only need to carry one key to use on both Intastop Removable Door Stop and an INTAGlaze panel [8mm key standard, lifeline key option available].
- ▶ Easy for staff to use whether left or right handed.
- ▶ Ensures staff and patient safety in the event of a fire by maintaining the fire integrity of the door, allowing safe evacuation.

Cross Section Drawing and Unit Measurements



NOTE All sizes are approximate and as a guide only. Please see Operating and Maintenance manual.

Fitting Instructions and Beading



NOTE different beading/intumescent required for different glass specifications"

Example of timber beading profile.

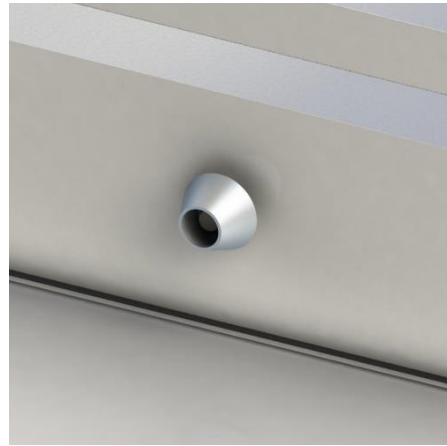
Varies to suit door thickness



Operating Mechanism Options



Knob



Standard 8mm Key

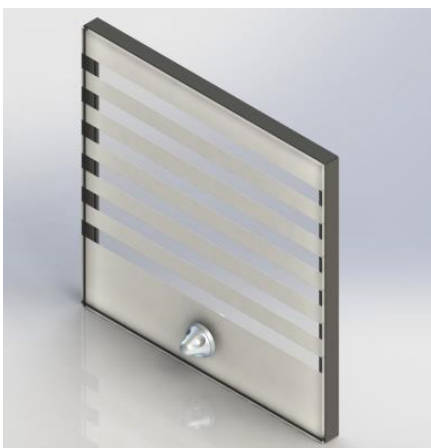


Lifeline Key

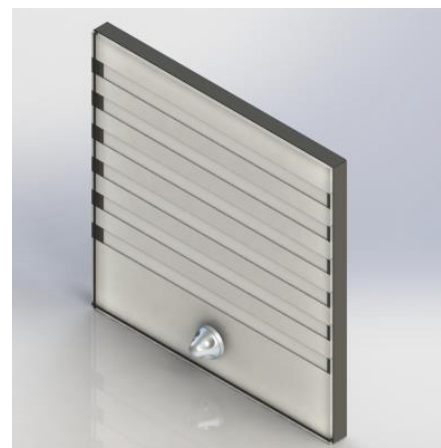


Blank

Layout



Open



Closed



INTAGlaze Privacy Vision Panel

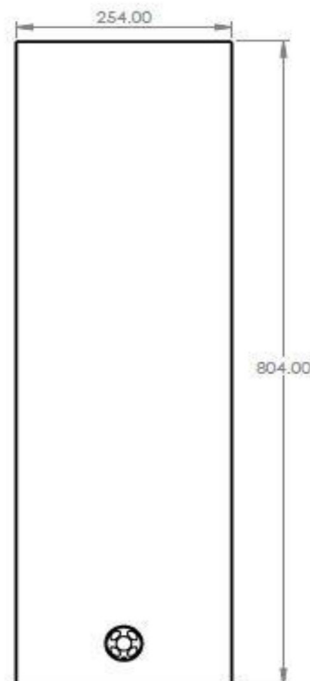
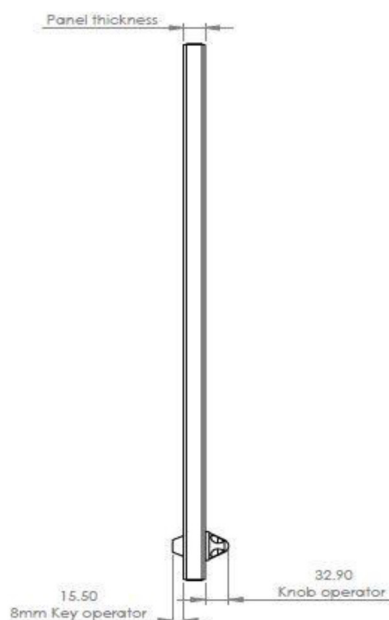
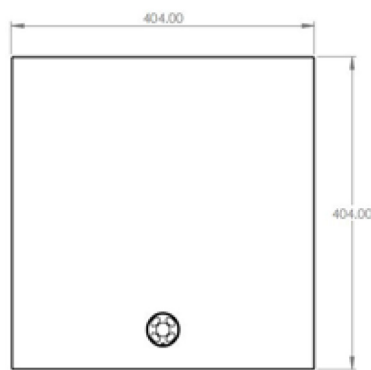
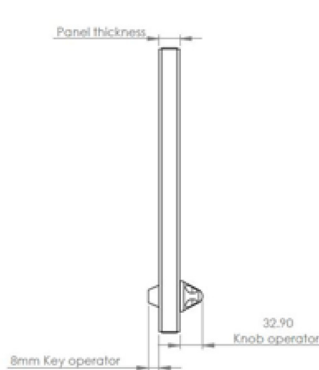
Datasheet

Panel Configuration Options

Available Operator Combinations		
Knob	-	Knob
Knob	-	8mm Key
Knob	-	Lifeline Key
Knob	-	Blank
8mm Key	-	Blank
Lifeline	-	Blank

Configuration	Panel Thickness
6mm, 6mm	22mm
6mm, 10mm	26mm
10mm, 10mm	30mm
10mm, 19mm	39mm

Panel Size	
1	254 x 804
2	404 x 404



ABOUT HIPAC

We are an Australian healthcare company that guarantees to stand behind all our medical products, both manufactured and imported, because we're here for the life of our products and clients.

PO Box 797, 36 Long St. Goulburn NSW 2580, Australia
P. +61 2 4823 0000 E. info@hipac.com.au

SYDNEY | MELBOURNE | BRISBANE | ADELAIDE | PERTH

hipac.com.au

ABN 27 600 353 688