

### IPT 3200 Technical Specifications

Dimensions (HxWxD)	54-5/8" x 27" x 27" [1388 mm x 683 mm x 683 mm]
Weight (unit only)	MODEL 3200: 368 lbs [167 kg] MODEL 3200-220: 300 lbs. [136 kg]
Frame	Anodized aluminum
Casters	6" [150 mm] diameter (2 Braking, 2 directional locks)
Lamp Modules	Anodized aluminum
Input Voltage	MODEL 3200: 120 VAC MODEL 3200-220: 220 VAC
Current	MODEL 3200: 20 Amps MODEL 3200-220: 13 Amps
Frequency	MODEL 3200: 60 Hz MODEL 3200-220: 50/60 Hz
Lamp Emitter	200 watt Amalgam UVC
Lamp Emitter Modules	16 units
Lamp Life	16,000 hours (approximately)
Output at 1m	Ultraviolet C electromagnetic radiation (8810 $\mu\text{W}/\text{cm}^2$ )
Operating Environment	50 to 113 °F [10 to 45°C]
Storage Environment	14 to 140 °F [-10 to 60°C]
Water	Use in dry environments ONLY
Humidity	10% to 50% relative humidity

### Door Motion Pendant Technical Specifications

Dimensions (HxWxD)	3-3/8" x 2-1/8" x 1" [86 mm x 54 mm x 23 mm]
Weight	0.10 lbs. [.05 kg]
Operating Environment	50 to 113° F [10 to 45°C]
Storage Environment	14 to 140° F [-10 to 60°C]
Water	Use in dry environments ONLY
Humidity	10% to 70% relative humidity

### IPT 3200 Disinfection Robot

#### Overview

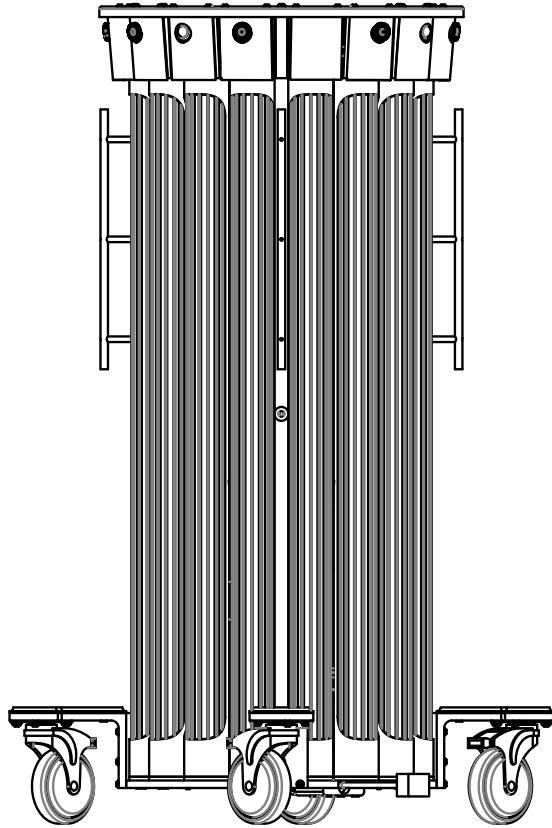
The IPT 3200 is the most powerful UV light disinfection system in the world, ideal for health care facilities requiring maximum disinfection in the least amount of time. It is the only system in the world that incorporates an automated lamp shutter protection system.

#### Features

- Single placement whole room treatment with no repositioning.
- Automated lamp shutter protection system.
- Documented high clinical pathogen deactivation rate.
- Removes human error by automatically delivering the proper treatment duration to deactivate pathogens, delivering the highest UV dose over the shortest period based on room size, layout, robot placement, and output.
- Average patient room treatment time of 6 to 15 minutes.
- Digitally documents treatment data in real time.
- Seamless integration of housekeeping workflow.
- Door pendants automatically shut off the UV light in case of accidental room entry.
- Documentation and analytics data is provided through Steri-Trak. This cloud-based portal is a data tracking platform providing users with the ability to deploy, manage, and monitor treatments. Users can also monitor and diagnose training or performance issues.

#### Included Accessories

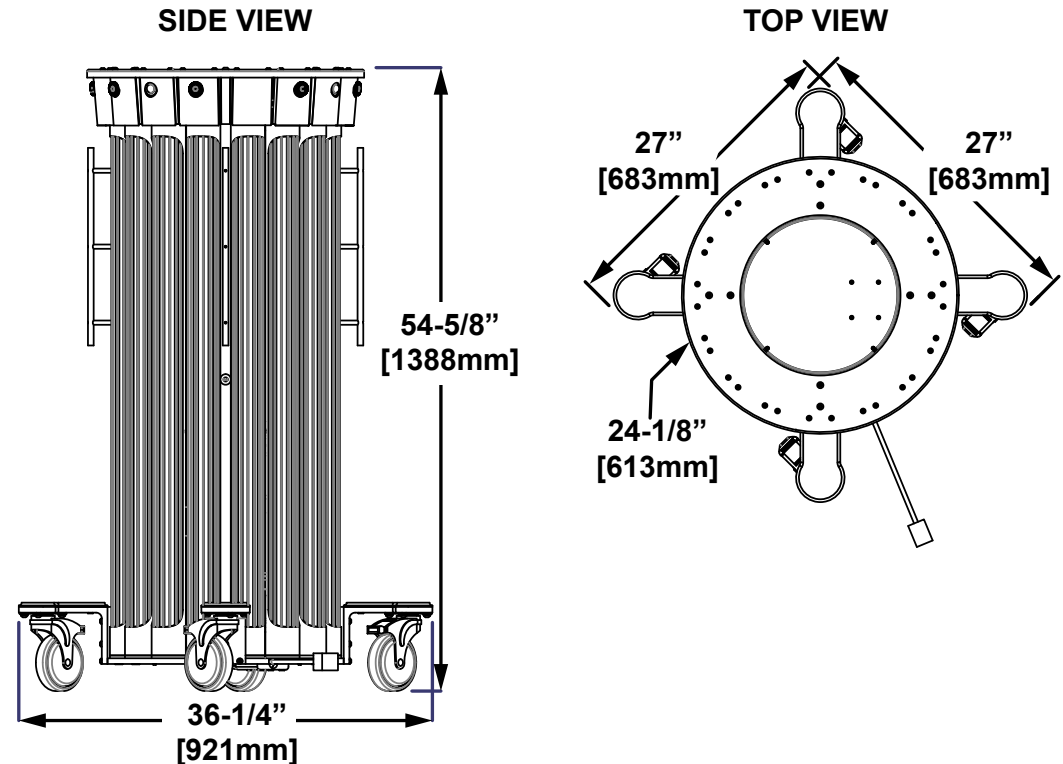
- Three door motion safety pendants.
- Hand held computer Control System.
- The Steri-Trak analytics platform.



Hand Held Computer Control System Specifications

Dimensions

	Specifications
Dimensions (HxWxD)	3-1/8" x 6-1/4" x 1-3/8" [80 mm x 160mm x 35.5 mm]
Weight	0.90 lbs. [.41 kg] Including rechargeable battery
Operating Environment	-4 to 131° F [-20 to 55°C]
Storage Environment	-13 to 158° F [-25 to 70° C]
Drop	6 ft [1.8 m]
Sand & Dust	IP6X
Water	IPX5
Humidity	5% to 90% relative humidity
Processor Memory	Marvell PXA320 Xscale 806 MHz, 256 MB RAM
Data Storage	512 MB Flash
Operating System	Android
Screen	3-1/2" [89 mm] VGA TFT LCD, 480 x 640 pixel, daylight viewable
Keyboard	Numeric keypad, optional QWERTY
Battery	4400 mAh, all day operation with default settings, rechargeable LI-ion
Connections	USB host/client, serial (ttl), audio jack, IrDA ethernet (via desktop cradle), MicroSD slot
Communication	PAN: Bluetooth 2.0 + EDR WLAN: integrated 802.11b/g, WITH WEP, WPA, WPA2, CCX Cisco Compatible extensions Integrated GPS Sirf III with Instant Fix II GSM/UMTS (HSDPA/EDGE) Integrated speaker & microphone
Camera	Integrated 3 megapixel camera with autofocus and LED Flash
Barcode Scanner	Integrated laser 1D barcode scanner Optional 2D imager
Options	Desktop cradle, 12V charger



DATE	REV	DOCUMENT REVISION HISTORY
01/20/2017	0	Initial Release