

Introduction

Skytron's Lucina 4 is a recessed, ceiling mounted LED powered light with a convenient LED driven remote control for light positioning. It is ideal for exam lighting needs where low ceilings or ceiling mounted obstructions make traditional support arm lighting a challenge. Supported installations can be deployed in combinations of one to four lights for varied applications.



Technical Data

Electrical	100-240 VAC
Power Consumption	Single Head 49-102 VA Dual Head 91-163 VA Triple Head 137-240 VA Quad Head 170-312 VA, 50/60 Hz
BTU'S Per Hour	Single Head 167-348 Dual Head 310-556 Triple Head 467-818 Quad Head 580-1064
Intensity Per Light Head	14,000 Lux at 3 metres working distance, 49,000 Lux at 1 metre
Colour Temperature Per Light Head	4500K
Range of Light beam angulation Per Light Head	37-47 degrees
Weight Per Light Head	11.3Kgs
Ceiling Height	2438.4mm-3048mm
Mounting Structure	Provided by others

Accessories / Options

Wall Control (required) offers positioning capability for each light and 5 discrete intensity settings to meet lighting requirements. It includes a lighted, easily located on/off switch and simple fuse access from the faceplate. **Remote Wand (required)** emits an LED strobe which directs the light beam toward the target. It is equipped with IR activated button to turn the light(s) on or off with the wand.

Remote Wand Stand (required) is a convenient storage base for the wand when not in use. It can be wall mounted.

Back Box for Lucina 4 Wall Control (optional): Used for electrical rough in for new construction

Standards

Lucina 4 is a diagnostic/examination light and is not intended to be used as a primary surgical luminary. Skytron recommends a surgical light (fixed or mobile) be included in clinical settings where surgical illumination may be required.

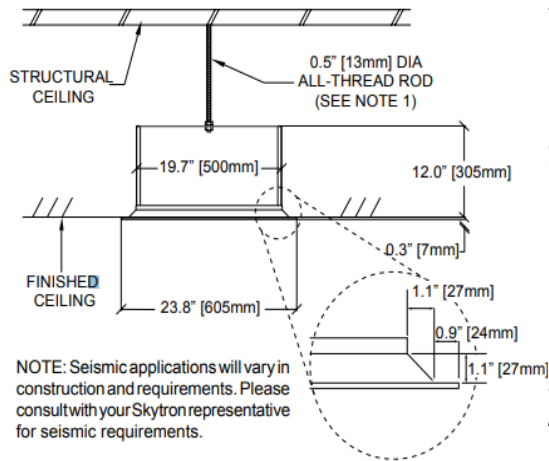
- ANSI/AAMI ES60601-1:2005/[R]2012 Issued:2012/01/17 Medical electrical equipment – Part 1: General requirements for basic safety and essential performance with C1:2009/[R]2012 and A2:2010/[R]2012
- CSA C22.2#60601-1 Issued: 2008/02/01 Ed: 2 [R2013] Medical Electrical Equipment - Part 1: General Requirements for Basic Safety & Essential Performance; Corr. 2: 2011
- IEC 60601-2-41 Issued:2009/08/12 Ed:2 Medical Electrical Equipment - PART 2-41: Particular Requirements for the basic safety and essential performance of surgical luminaires and luminaires for diagnosis.
- CSA C22.2#60601-2-41 Issued: 2011/07/01 Medical Electrical Equipment - Part 2-41: Particular Requirements for the Basic Safety and Essential Performance of Surgical Luminaires and Luminaires for Diagnosis
- IEC 60601-1-6 Issued: 2010/01/27, Ed 3.0, Medical electrical equipment – Part 1-6: General requirements for basic safety and essential performance – Collateral standard: Usability

Architectural Specifications

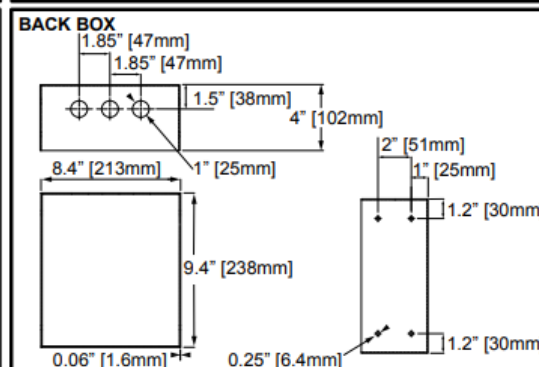
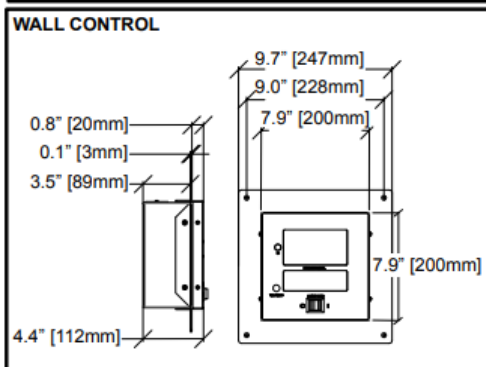
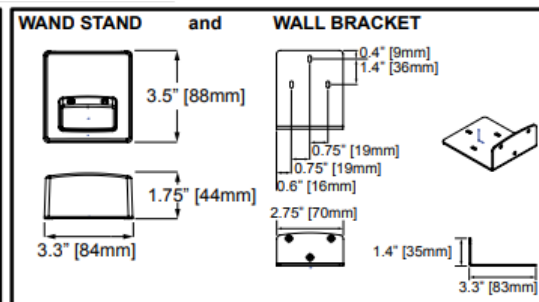
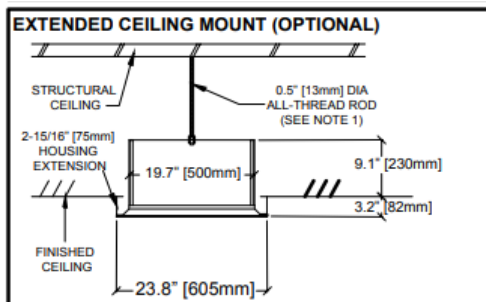
A supported installation of Lucina 4 shall consist of one or a combination up to four 610mm recess mounted light fixtures. Each fixture is to be equipped with four optical sensors to permit user control of the light beam from a hand-held wand or wall mounted intensity control. Wall control shall provide intensity, on/off and positioning control. Maximum intensity is to be 14,000 Lux at 3 meters working distance per fixture at a color temperature of 4500K. Array of 60 LEDs shall be reflected by vertical segmented reflector to deliver a homogeneous shadow controlled beam of light. Fixture shall be Skytron Model LCN4

Dimensions

STANDARD CEILING MOUNT



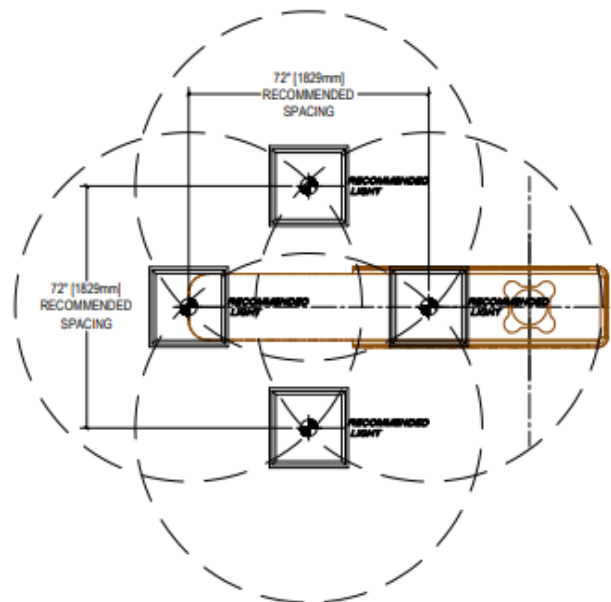
1. 13mm diameter support rod centred in fixture opening for total support of light. All labour and materials for fabrication, 13mm nuts and washer (2 each required) for fixture attachment - contractor supplied.
2. All wiring, conduit, and other electrical materials as well as installation labour for such materials associated with the installation of the Hipac light fixture light fixture to be provided by electrical contractor. All installations of Hipac lighting fixtures should be under the direct supervision of a Hipac service representative.
3. All wiring to be in accordance with local electrical codes.
4. Wall control measures 112mm deep, 200mm high x 200mm wide.
5. Wall control to lighthouse wiring requires five colour coded 16 AWG (minimum) wires to each light fixture.



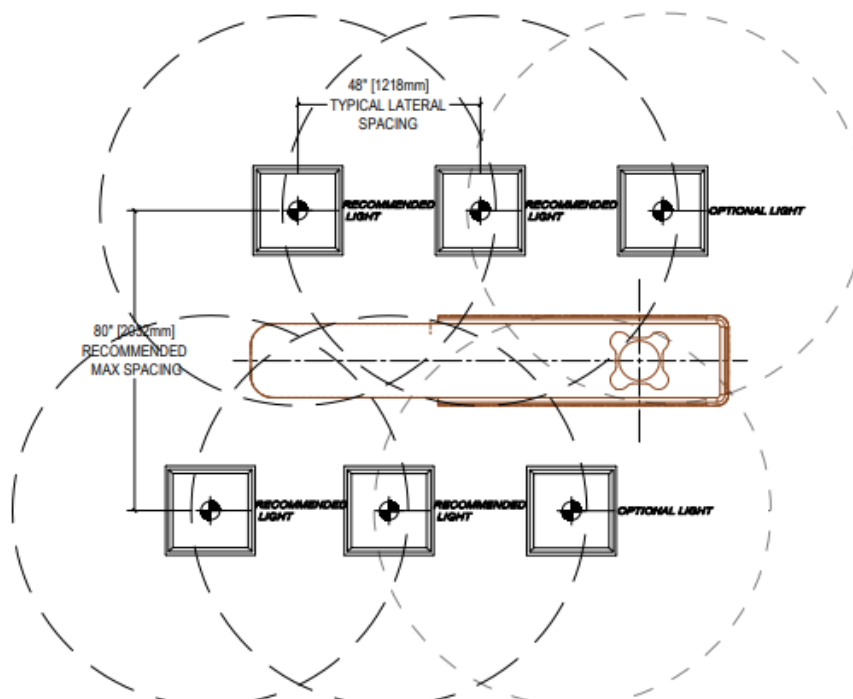
Lucina 4 Led For Hybrid/ Cardiac/ Cath Lab

Datasheet

Floor Mounted Imaging Plan View



Ceiling Mounted Imaging Plan View



ABOUT HIPAC

We are an Australian healthcare company that guarantees to stand behind all our medical products, both manufactured and imported, because we're here for the life of our products and clients.

PO Box 797, 36 Long St. Goulburn NSW 2580, Australia
P. +61 2 4823 0000 E. info@hipac.com.au

SYDNEY | MELBOURNE | BRISBANE | ADELAIDE | PERTH

hipac.com.au

ABN 27 600 353 688