



SECURA Glaze and SECURA Vision are specialist privacy vision panels with no hole in the glass and integral pressed Stainless Steel Surround for the Mental Health Sector. The panel ensures the security and dignity of both staff and service users. The quiet, manually operated panel requires absolutely no wiring or mains power.

Technical Data

| | |
|---------------------|--|
| Size | Rectangular: <ul style="list-style-type: none">· 254 x 804mm· 254 x 404mm Square: <ul style="list-style-type: none">· 404 x 404mm Special Size |
| Performance | Achieves the Medium Secure Abuse Testing requirement |
| Finish | <ul style="list-style-type: none">· 30mm Panel: 10mm toughened glass on both sides, complete with integral pressed SS Surround· 39mm Panel: 10mm toughened glass on staff side, 19mm toughened glass on patient side, complete with integral pressed SS Surround. |
| Optional Extras | <ul style="list-style-type: none">· Digital Imagery· Upgrade to toughened laminated or fire glass· Powder-coated/Wood Effect Stainless Steel Surround. |
| Ironmongery Options | Standard - 8mm Key, Lifeline Key, Thumb Turn/Knob. Non-standard - 5mm Key. |
| Fixing | As per Manufacturers recommendations. |
| Testing | <ul style="list-style-type: none">· Cycle Tested to greater than 250,000 cycles.· Abuse tested to Medium Secure Standard. |



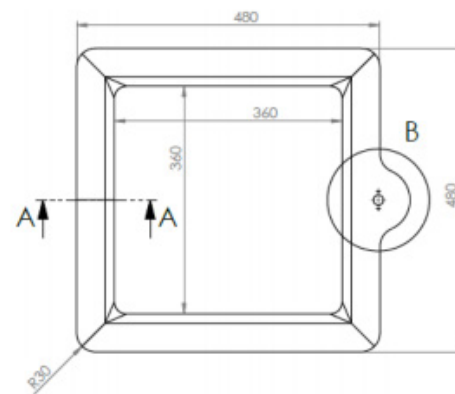
SECURA Features

- Provides 92% Visibility [SECURA Vision].
- Cycle tested to greater than 250,000 cycles.
- Tested to the Medium Secure Abuse Standard.

SECURA Benefits

- Monitor patients easier with near full visibility.
- Security and dignity of staff and service users assured using silent operation.

Drawings and Unit Measurements



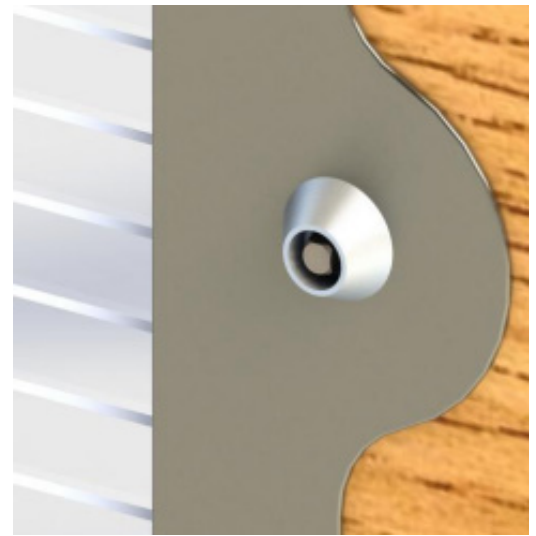
NOTE All sizes are approximate and as a guide only. Please see Operating & Maintenance manual



Operating Mechanism Options



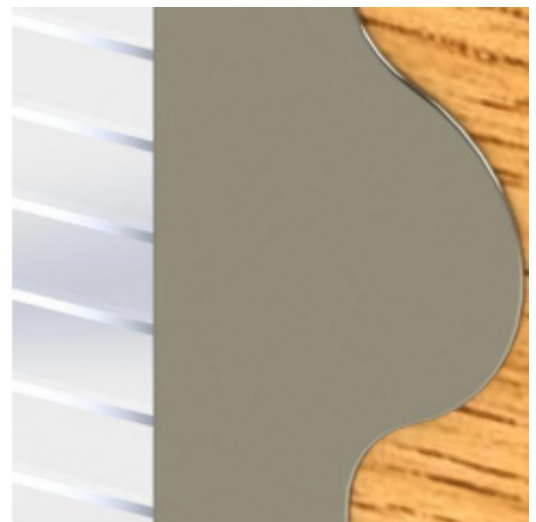
Knob



Standard Key



Lifeline Key



Blank



Layout

[SECURA Vision option pictured]



Open



Closed

Maintenance/Cleaning

See manufacturers recommendation [separate document].

ABOUT HIPAC

We are an Australian healthcare company that guarantees to stand behind all our medical products, both manufactured and imported, because we're here for the life of our products and clients.

PO Box 797, 36 Long St. Goulburn NSW 2580, Australia
P. +61 2 4823 0000 E. info@hipac.com.au

SYDNEY | MELBOURNE | BRISBANE | ADELAIDE | PERTH

hipac.com.au

ABN 27 600 353 688