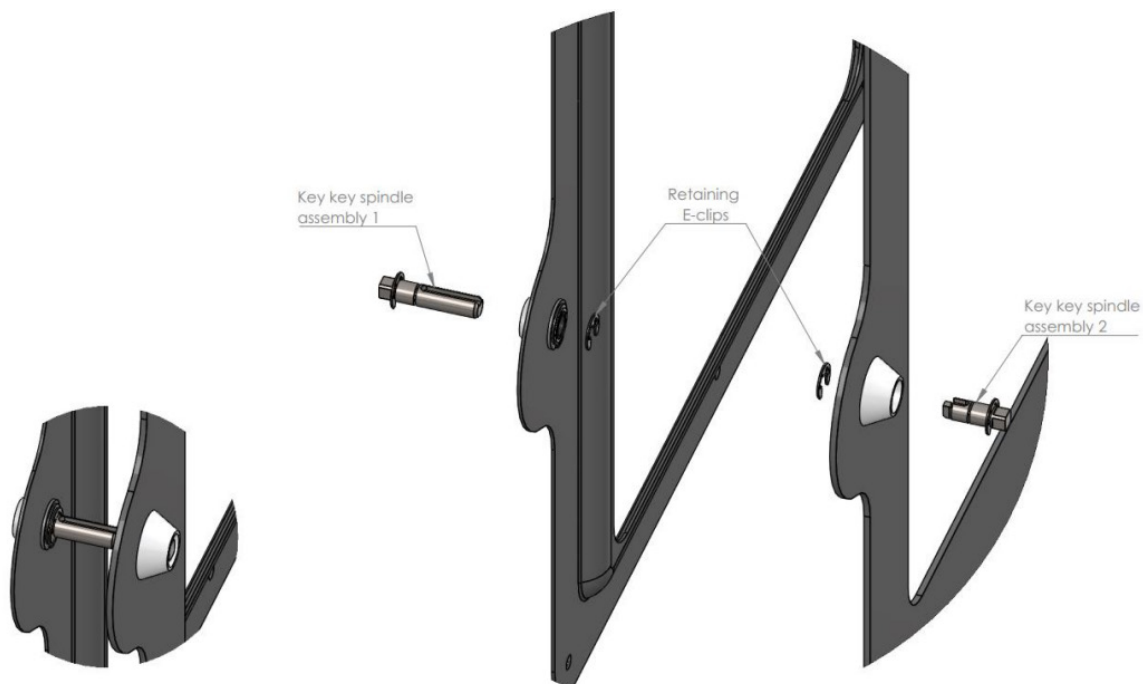




SecuraPanel Key Key Operation

Installation Instructions

1. Remove the central E-clips near the machined slots.
2. Push each spindle through the surround from the outside faces.
3. From the outside, push the spindle ensuring the E-clip is against the operator boss.
4. On the inside, re-fit the E-clips in the groove at the back of the bosses.
5. The spindle assemblies should spin freely, if not, remove the spindle assembly and ensure there is nothing between the E-clip and the boss.
6. Now fit the surround as per standard fitting instructions.
The spindle feeds directly into the drive housing. The keyway in the spindle needs to line up with the grub screw inside the drive housing.
7. The 2 keys lock into each other in only 1 position. If the surround does not press together, turn the key spindles until they click into place.



WARNING:

All products must be fitted as per the directions detailed within this instruction document. Hipac takes no responsibility for incorrect installation/operation of the product. By purchasing this product, you are confirming this product will be fitted as per the instructions.

ABOUT HIPAC

We are an Australian healthcare company that guarantees to stand behind all our medical products, both manufactured and imported, because we're here for the life of our products and clients.

PO Box 797, 36 Long St. Goulburn NSW 2580, Australia
P. +61 2 4823 0000 E. info@hipac.com.au

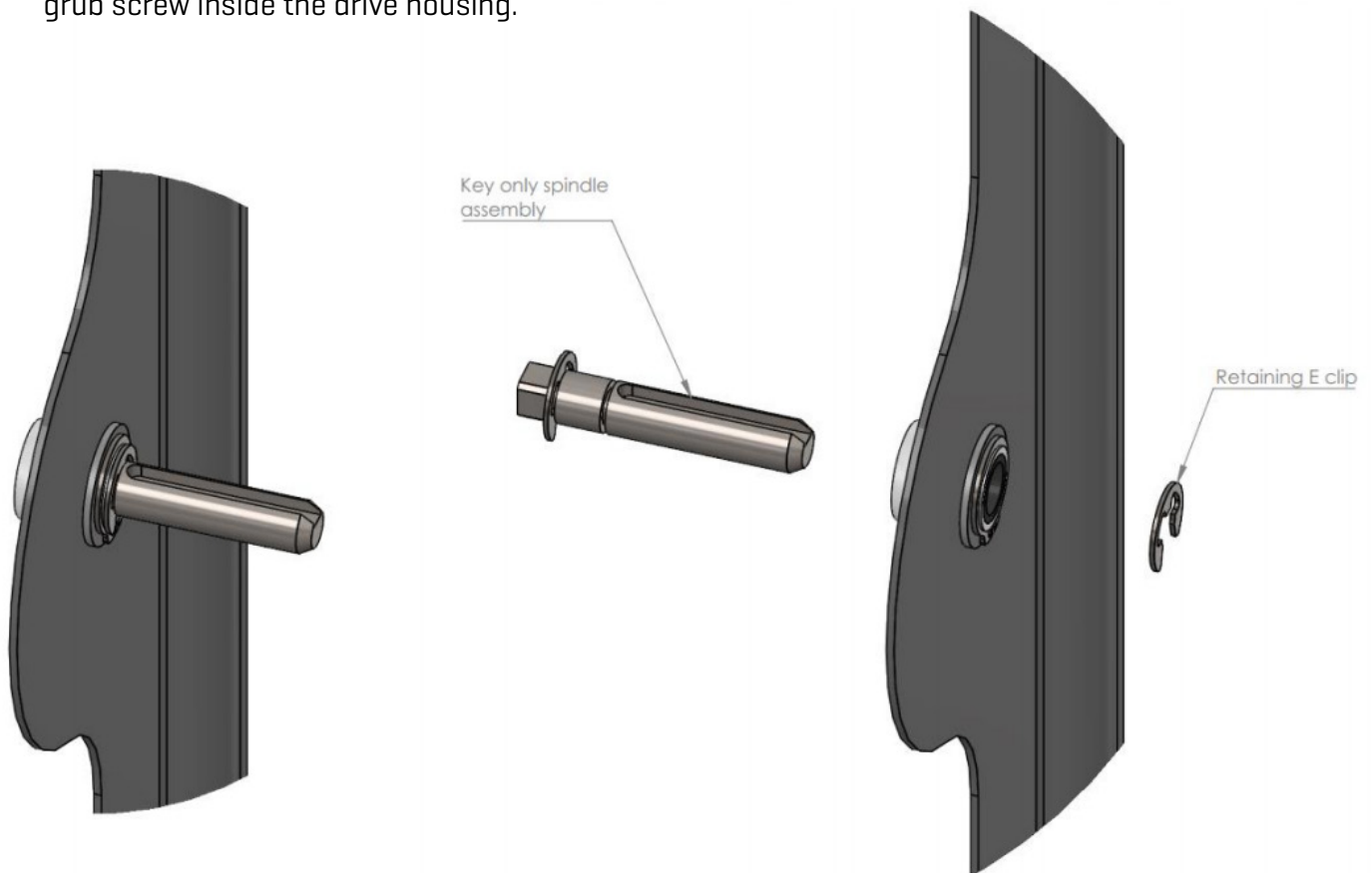
SYDNEY | MELBOURNE | BRISBANE | ADELAIDE | PERTH

hipac.com.au

ABN 27 600 353 688



1. Remove the E-clip closer to the centre of the spindle from the spine assembly.
2. Push the key only spindle assembly through the surround from the outside face.
3. From the outside, push the spindle assembly into the operator boss.
4. Locate the E-clip in the groove near the back of the operator boss.
5. The spindle assembly should spin freely, if not, remove the spindle assembly and assure there is nothing between the Lifeline lock and the boss.
6. Now fit the surround as per standard fitting instructions.
The spindle feeds directly into the drive housing. The keyway in the spindle needs to line up with the grub screw inside the drive housing.



WARNING:

All products must be fitted as per the directions detailed within this instruction document. Hipac takes no responsibility for incorrect installation/operation of the product. By purchasing this product, you are confirming this product will be fitted as per the instructions.

ABOUT HIPAC

We are an Australian healthcare company that guarantees to stand behind all our medical products, both manufactured and imported, because we're here for the life of our products and clients.

PO Box 797, 36 Long St. Goulburn NSW 2580, Australia
P. +61 2 4823 0000 E. info@hipac.com.au

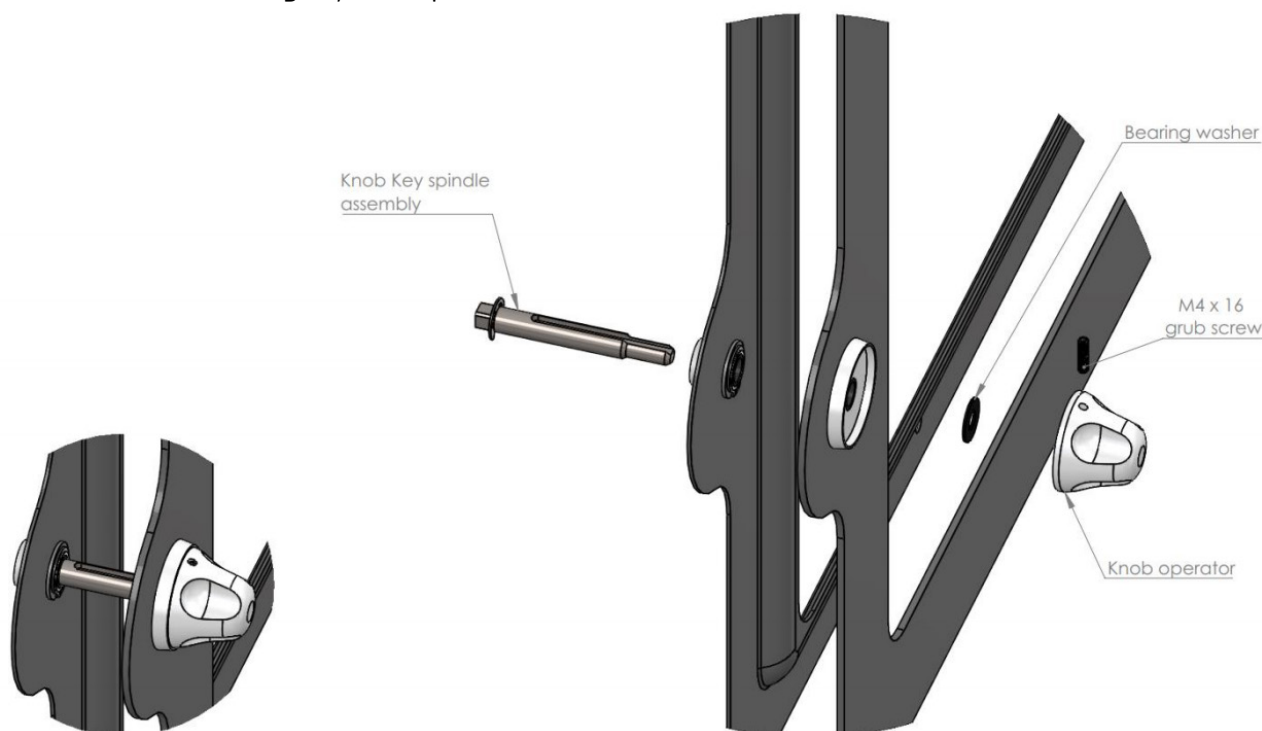
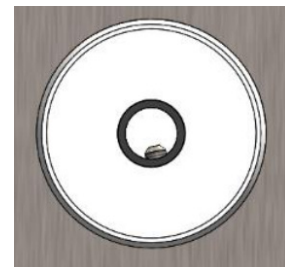
SYDNEY | MELBOURNE | BRISBANE | ADELAIDE | PERTH

hipac.com.au

ABN 27 600 353 688



1. Fit the panel and the surround ensuring the holes in the operator bosses line up with the hole in the drive housing.
2. Remove the knob operator and bearing washer from the spindle assembly by loosening the M4 grub screw.
3. Push the spindle through the surround from the 8mm key face of the surround until it is fully seated and poking out the other side of the door.
4. Locate the bearing washer on the spindle.
5. Locate the knob on the spindle ensuring the grub screw lands on the flat section of the spindle.
6. From the key side, push the spindle ensuring the E-clip is against the operator boss.
7. From the outside, push the knob operator towards the surround.
8. Tighten the grub screw fully.
9. The spindle assembly should spin freely, if not, the knob operator needs loosening and moving away from the surround slightly. The spindle should have no more than 1mm of travel.



WARNING:

All products must be fitted as per the directions detailed within this instruction document. Hipac takes no responsibility for incorrect installation/operation of the product. By purchasing this product, you are confirming this product will be fitted as per the instructions.

ABOUT HIPAC

We are an Australian healthcare company that guarantees to stand behind all our medical products, both manufactured and imported, because we're here for the life of our products and clients.

PO Box 797, 36 Long St. Goulburn NSW 2580, Australia
P. +61 2 4823 0000 E. info@hipac.com.au

SYDNEY | MELBOURNE | BRISBANE | ADELAIDE | PERTH

hipac.com.au

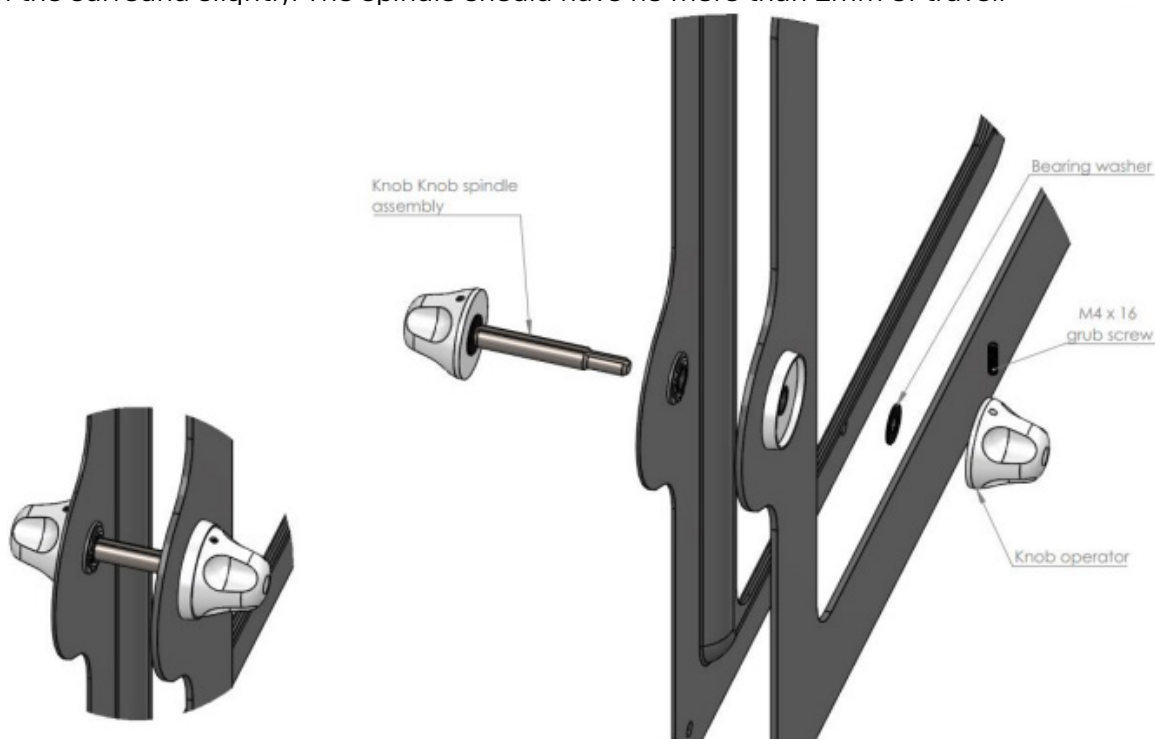
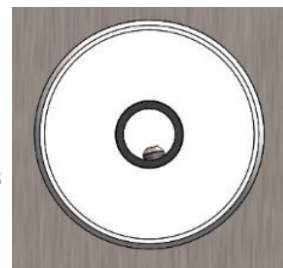
ABN 27 600 353 688



SecuraPanel Knob Knob

Installation Instructions

1. Fit the panel and the surround ensuring the holes in the operator bosses line up with the hole in the drive housing.
2. Remove one of the knob operators and bearing washers from the spindle assembly by loosening the M4 grub screw.
3. Push the spindle through the surround from either side of the surround until it is fully seated and poking out the other side of the door.
4. Locate the bearing washer on the spindle.
5. Locate the knob on the spindle ensuring the grub screw lands on the flat section of the spindle.
6. From the key side, push the spindle ensuring the E-clip is against the operator boss.
7. From the outside push the knob operator toward the surround.
8. Tighten the grub screw fully.
9. The spindle assembly should spin freely, if not, the knob operator needs loosening and moving away from the surround slightly. The spindle should have no more than 1mm of travel.



WARNING:

All products must be fitted as per the directions detailed within this instruction document. Hipac takes no responsibility for incorrect installation/operation of the product. By purchasing this product, you are confirming this product will be fitted as per the instructions.

ABOUT HIPAC

We are an Australian healthcare company that guarantees to stand behind all our medical products, both manufactured and imported, because we're here for the life of our products and clients.

PO Box 797, 36 Long St. Goulburn NSW 2580, Australia
P. +61 2 4823 0000 E. info@hipac.com.au

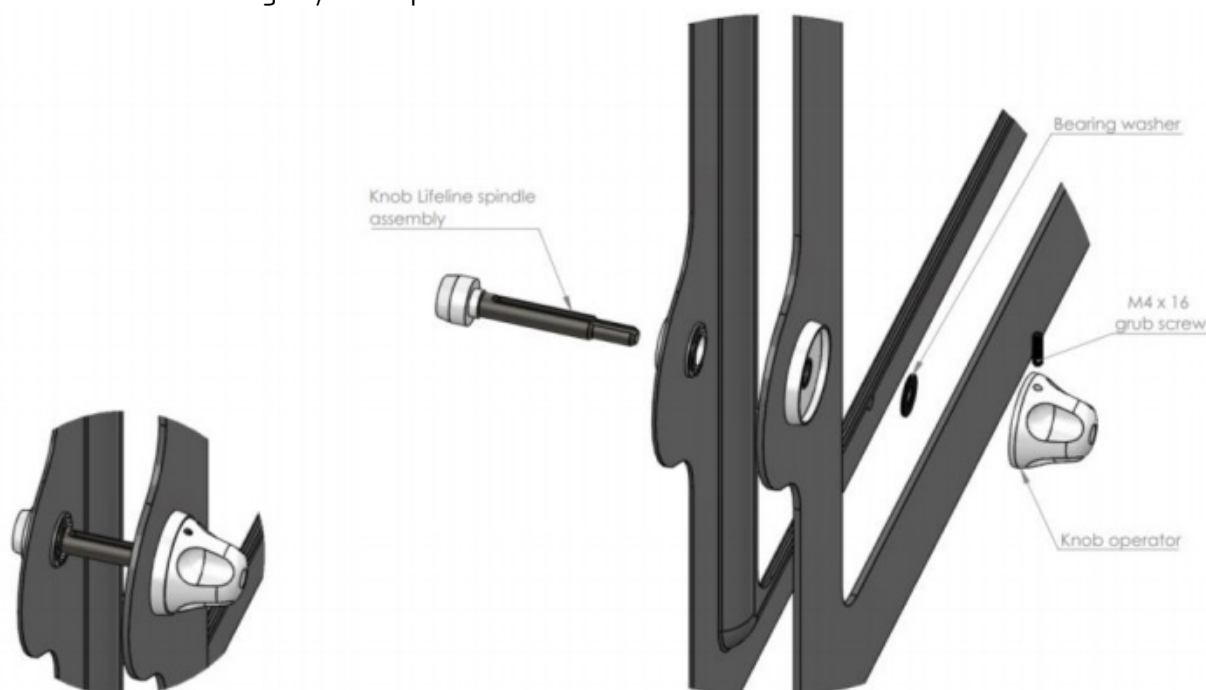
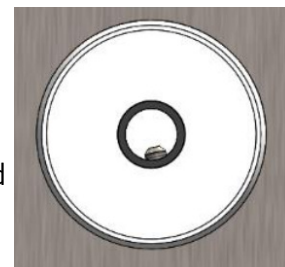
SYDNEY | MELBOURNE | BRISBANE | ADELAIDE | PERTH

hipac.com.au

ABN 27 600 353 688



1. Fit the panel and the surround ensuring the holes in the operator bosses line up with the hole in the drive housing.
2. Remove one of the knob operators and bearing washers from the spindle assembly by loosening the M4 grub screw.
3. Push the spindle through the surround from the Lifeline key face of the surround until it is fully seated and poking out the other side of the door.
4. Locate the bearing washer on the spindle.
5. Locate the knob on the spindle ensuring the grub screw lands on the flat section of the spindle.
6. From the Lifeline key side, push the spindle ensuring the E-clip is against the operator boss.
7. From the outside push the knob operator toward the surround.
8. Tighten the grub screw fully.
9. The spindle assembly should spin freely, if not, the knob operator needs loosening and moving away from the surround slightly. The spindle should have no more than 1mm of travel.



WARNING:

All products must be fitted as per the directions detailed within this instruction document. Hipac takes no responsibility for incorrect installation/operation of the product. By purchasing this product, you are confirming this product will be fitted as per the instructions.

ABOUT HIPAC

We are an Australian healthcare company that guarantees to stand behind all our medical products, both manufactured and imported, because we're here for the life of our products and clients.

PO Box 797, 36 Long St. Goulburn NSW 2580, Australia
P. +61 2 4823 0000 E. info@hipac.com.au

SYDNEY | MELBOURNE | BRISBANE | ADELAIDE | PERTH

hipac.com.au

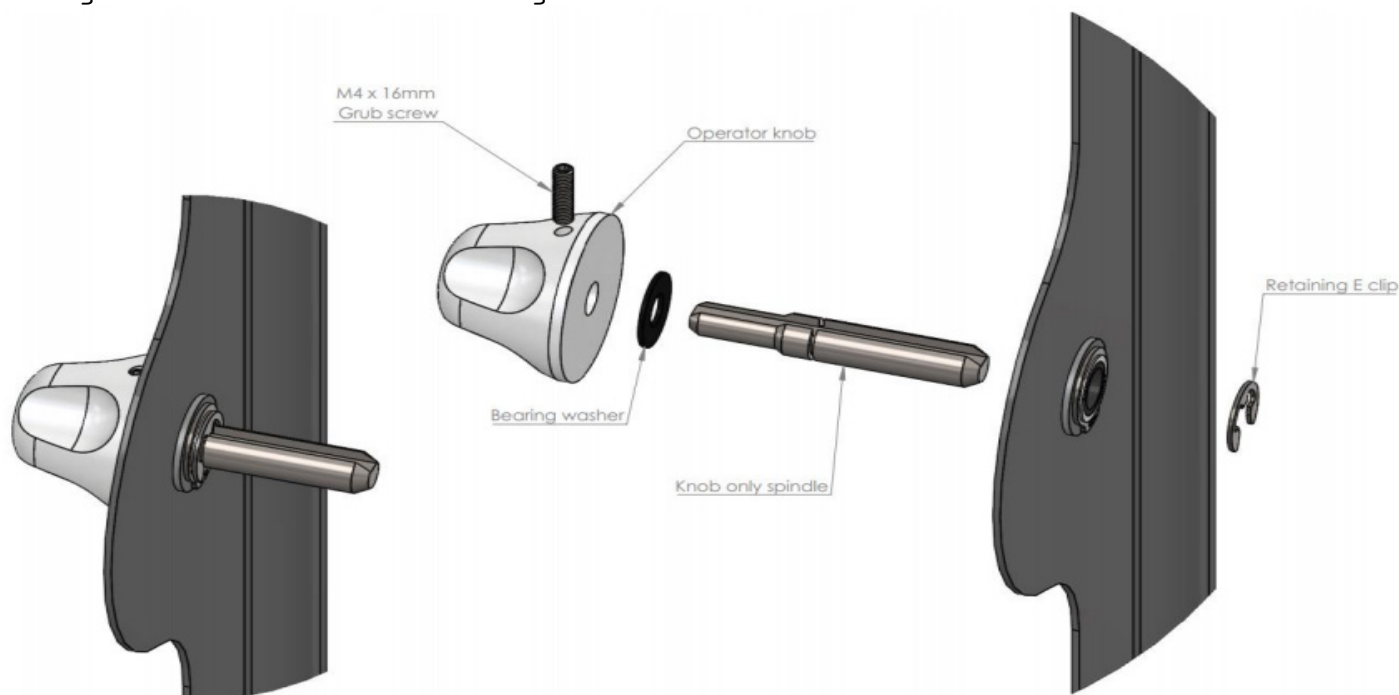
ABN 27 600 353 688



SecuraPanel Knob Only

Installation Instructions

1. Remove the knob operator and bearing washer from the spindle assembly by loosening the M4 grub screw.
2. Push the spindle through the surround from the inside face of the surround, thin end first.
3. Locate the bearing washer on the spindle.
4. Locate the knob on the spindle ensuring the grub screw lands on the flat section of the spindle.
5. From the inside, push the spindle ensuring the E-clip is against the operator boss.
6. From the outside push the knob operator towards the surround.
7. Tighten the grub screw fully.
8. The spindle assembly should spin freely, if not, the knob operator needs loosening and moving away from the surround slightly. The spindle should have no more than 1mm of travel.
9. Now fit the surround as per standard fitting instructions.
The spindle feeds directly into the drive housing. The keyway in the spindle needs to line up with the grub screw inside the drive housing.



WARNING:

All products must be fitted as per the directions detailed within this instruction document. Hipac takes no responsibility for incorrect installation/operation of the product. By purchasing this product, you are confirming this product will be fitted as per the instructions.

ABOUT HIPAC

We are an Australian healthcare company that guarantees to stand behind all our medical products, both manufactured and imported, because we're here for the life of our products and clients.

PO Box 797, 36 Long St. Goulburn NSW 2580, Australia
P. +61 2 4823 0000 E. info@hipac.com.au

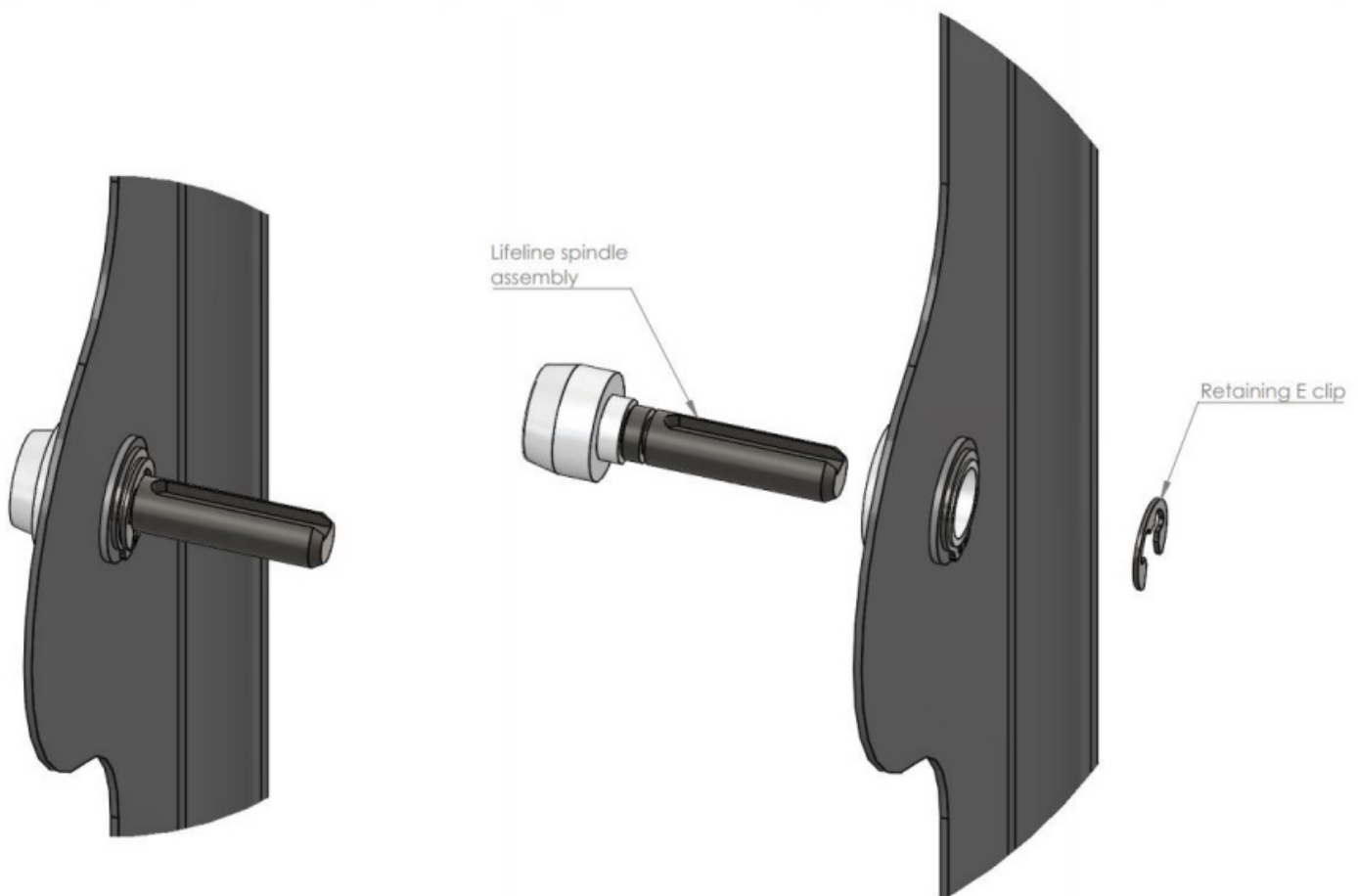
SYDNEY | MELBOURNE | BRISBANE | ADELAIDE | PERTH

hipac.com.au

ABN 27 600 353 688



1. Remove the E-clip from the spindle assembly.
2. Push the Lifeline spindle assembly through the surround from the outside face.
3. From the outside, push the spindle assembly into the operator boss.
4. Locate the E-clip in the groove near the operator boss.
5. The spindle assembly should spin freely, if not, remove the spindle assembly and ensure there is nothing between the Lifeline lock and the boss.
6. Now fit the surround as per standard fitting instructions.
The spindle feeds directly into the drive housing. The keyway in the spindle needs to line up with the grub screw inside the drive housing.



WARNING:

All products must be fitted as per the directions detailed within this instruction document. Hipac takes no responsibility for incorrect installation/operation of the product. By purchasing this product, you are confirming this product will be fitted as per the instructions.

ABOUT HIPAC

We are an Australian healthcare company that guarantees to stand behind all our medical products, both manufactured and imported, because we're here for the life of our products and clients.

PO Box 797, 36 Long St. Goulburn NSW 2580, Australia
P. +61 2 4823 0000 E. info@hipac.com.au

SYDNEY | MELBOURNE | BRISBANE | ADELAIDE | PERTH

hipac.com.au

ABN 27 600 353 688