



Secure Floor Mounted Door Stop

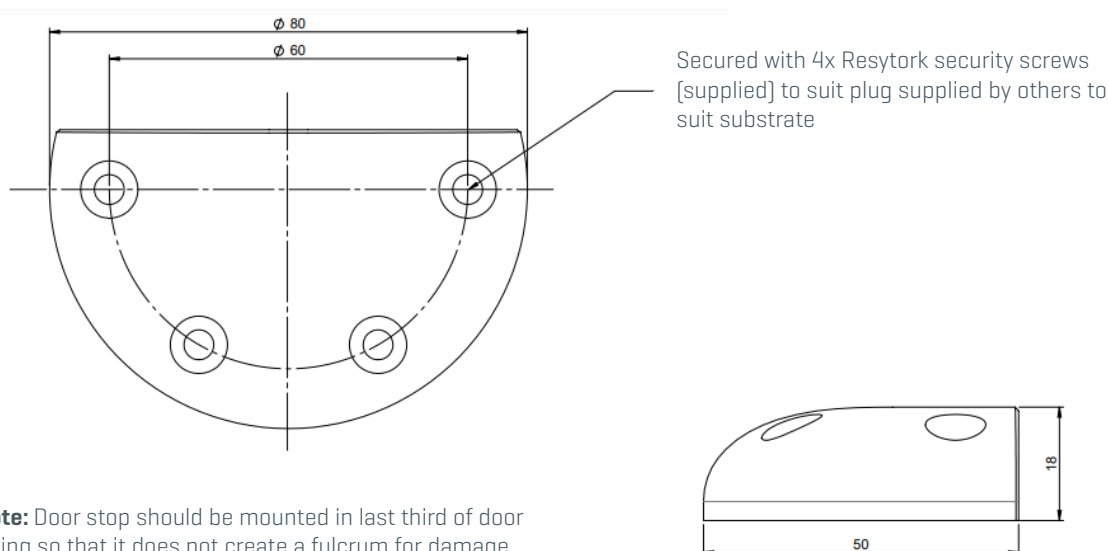
Datasheet

Introduction

Secure floor mounted door stop is designed to restrict the opening angle of the door and/or prevent the door impacting the wall. Its low profile and sloping edge design minimises the possibility of being able to loop anything around it to form a ligature.

Install Guide

Fix securely using supplied security screws, utilising plugs where fixing into concrete. Ensure there are no gaps between door stop and fixing surface, where surface is uneven anti-pick sealant should be used to prevent gaps.



Warranty Conditions

There is a one year warranty period applicable to all Conical Wall Mounted Door Stops purchased from Hipac Healthcare.

This warranty will apply only under all of the following conditions:

- Failure is due to a fault in the manufacture of the product
- Proof of purchase [including the date of purchase] is provided
- The installation of the product is in accordance with the instructions provided

This warranty does not include faults caused by:

- Unsuitable or improper use
- Incorrect installation or installation not in accordance with the instructions provided
- Normal wear and tear
- Inadequate or complete lack of maintenance
- Chemical, electrochemical or electrical influences
- Harsh detergents or abrasive cleaners used on product finishes

Exclusions

To the fullest extent permitted by law, Hipac excludes all liability for damage or injury to any person, damage to any property, and any indirect consequential loss or damage.