

Single, Variable-Focus 30" LED Surgical Light Fixture Aurora Four

AUA7, AUA7TV

Technical Data

Fixture Weight: 64 kg
Moment Load: 885 N·m
Minimum Ceiling Height: 2531mm
Maximum Ceiling Height: 3151mm
Electrical: 100-240VAC, 95-175VA, 50/60 Hz, 1 phase
Max Intensity at 1 meter (lux): @4100K = 160,000
@4500K = 146,000
CRI: @4100K = 95 @4500K = 95
Color Temperature: @4100K @4500K
Total Irradiance (watts/m²): @4100K = 523.6
@4500K = 483.7
R9: @4100K = 89 @4500K = 97



Model AUA7

Architectural Specification

The Aurora Four surgical lighting system consists of a ceiling mounted single radial arm system with a 30" (762mm) diameter lighthead. Continuous 360° rotation is provided at all fixture rotation points.

Standard lighthead is equipped with a sterilizable center handle that allows surgeon control of light-head positioning, focus and intensity. A focus knob and positioning handles are provided on the side of the lighthead for non-sterile control.

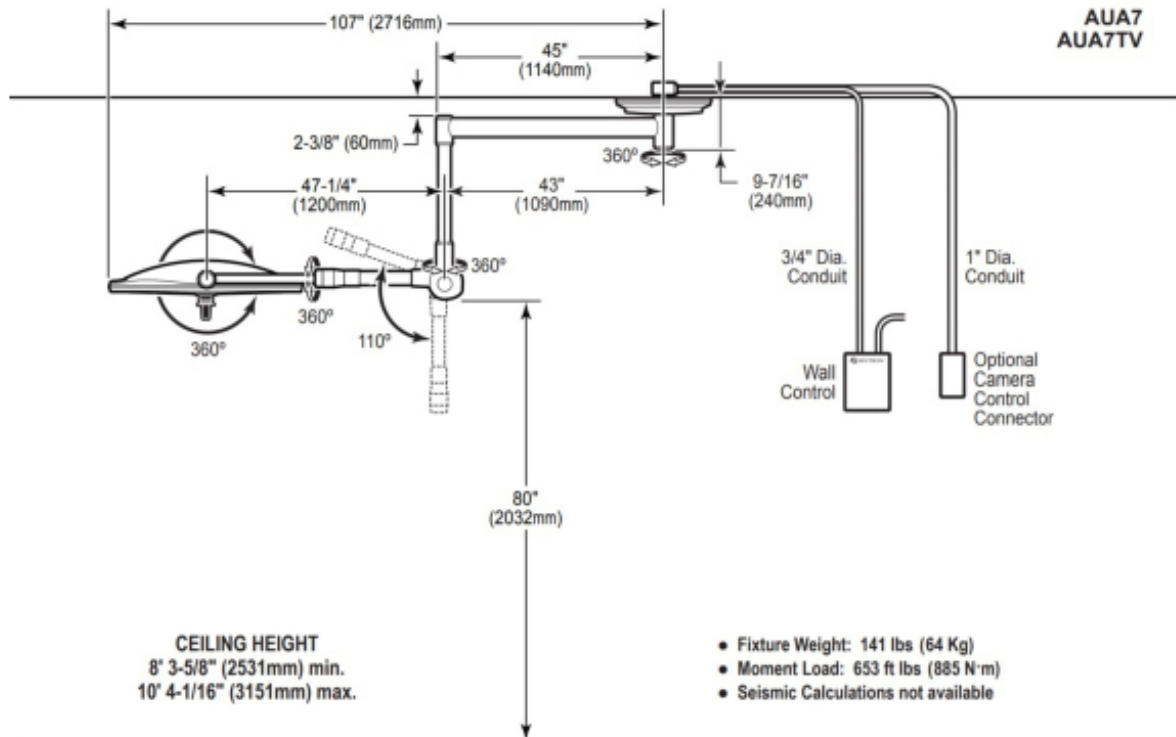
The 30" (762mm) lighthead contains 7 focusable LED pods. Each focusable pod contains 7 individual LEDs with VSRD reflector technology. Lighthead also contains 12 fixed focus center mounted LEDs. Total system output is 160,000 lux at a color temperature of 4,100K. LED life expectancy is 40,000 hours.

SKYTRON Aurora Four series, model AUA7 or AUA7TV.

Single, Variable-Focus 30" LED Surgical Light Fixture Aurora Four

AUA7, AUA7TV

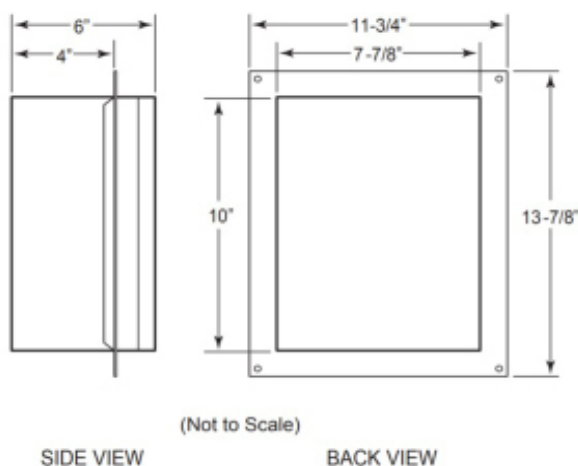
Product Elevation View



Mounting

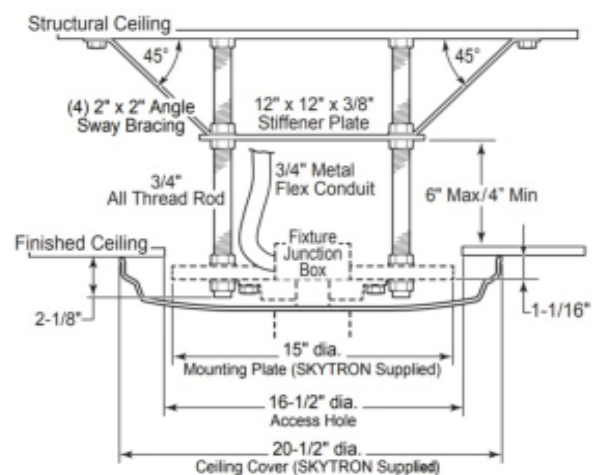
Wall Control

– Required, Priced Separately –



Typical Mounting Structure

– Provided by Others –



Refer to Installation Instructions for specific mounting structure guidelines, wiring and wall control installation details.

ABOUT HIPAC

We are an Australian healthcare company that guarantees to stand behind all our medical products, both manufactured and imported, because we're here for the life of our products and clients.

PO Box 797, 36 Long St. Goulburn NSW 2580, Australia
 P. +61 2 4823 0000 E. info@hipac.com.au

SYDNEY | MELBOURNE | BRISBANE | ADELAIDE | PERTH

hipac.com.au

ABN 27 600 353 688