

Introduction

The SkyLink Utility Carrier offers eight receptacles which can be used for electrical, communications, or gas connection.

Features

Skytron's booms are designed to support a full menu of carriers that can seamlessly deliver utilities, medical gases and other healthcare equipment to your clinical environment.

- Increase capacity with a small footprint
- High capacity and functionality.
- Space saving compact design.
- Small carrier design
- Positioning handles
- Either Single or Dual monitor mount
- Gas protection for safety separator plate with gasket to isolate electric connections.

Gas Terminals

NOTICE: Gas outlets and/or multiple circuits only allowed with 100 series, Fixed Lower Arm and 200/300 Adaptor and Arms

O² | MED AIR | N²O | VACUUM | N² | CO² | WAGD | INSTRUMENT AIR |

Includes hose assembly, mounting hardware.

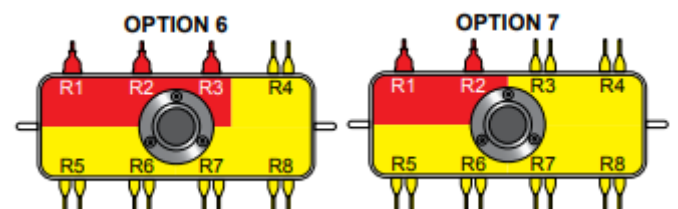
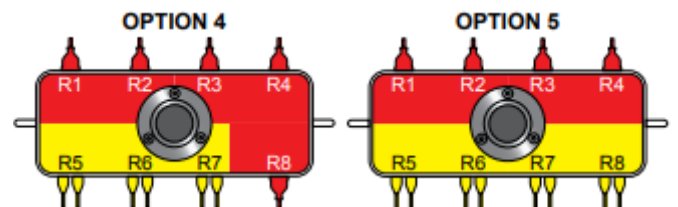
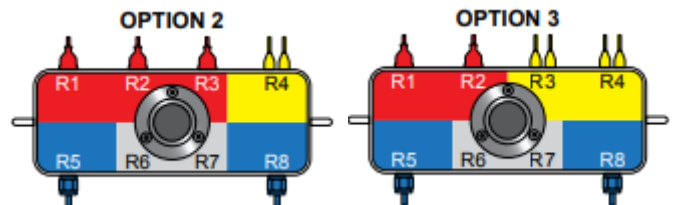
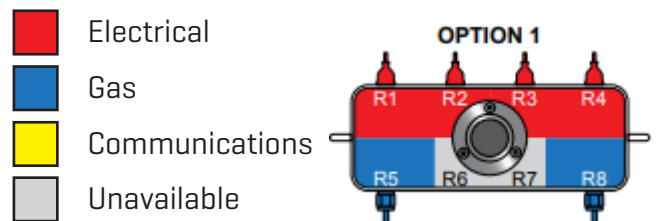
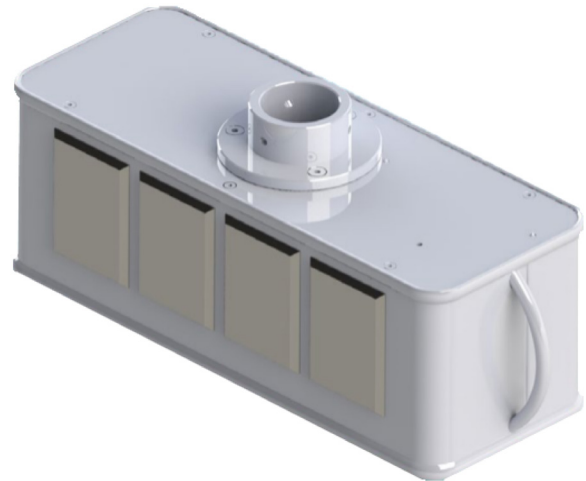
Electrical Terminals

Electrical (medical) receptacles red/white | SIMPLEX | DUPLEX | TWIST-LOCK | 15A | 20A | 30A | 120V | 208V | 240V |

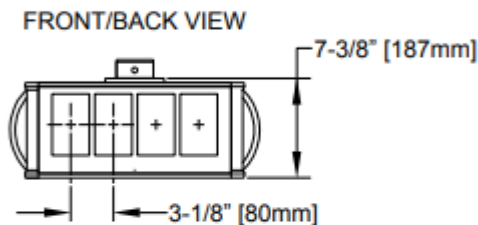
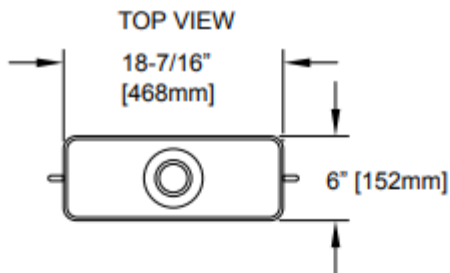
Includes fitting & wiring, mounting hardware

Technical Data

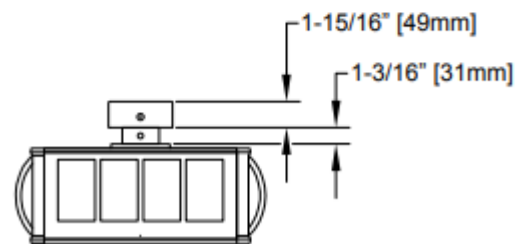
Carrier	Size (HxWxD)	Weight
3SL1	1887mm x 468mm x 152mm	5kg



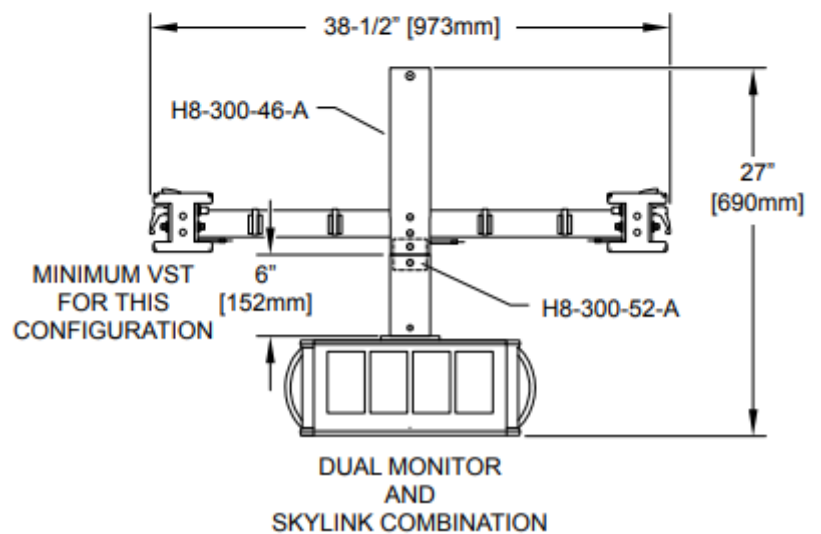
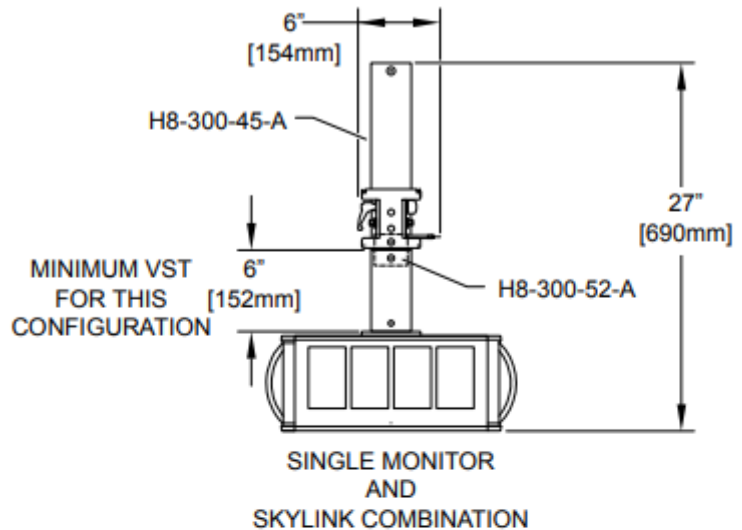
Dimensions



200/300 ADAPTER
AND
SKYLINK COMBINATION



200/300 ADAPTER
AND
SKYLINK COMBINATION



ABOUT HIPAC

We are an Australian healthcare company that guarantees to stand behind all our medical products, both manufactured and imported, because we're here for the life of our products and clients.

PO Box 797, 36 Long St. Goulburn NSW 2580, Australia
P. +61 2 4823 0000 E. info@hipac.com.au

SYDNEY | MELBOURNE | BRISBANE | ADELAIDE | PERTH

hipac.com.au

ABN 27 600 353 688