

movatrack

HOSPITAL CUBICLE TRACK SYSTEMS

CUBICLE TRACK 100

with

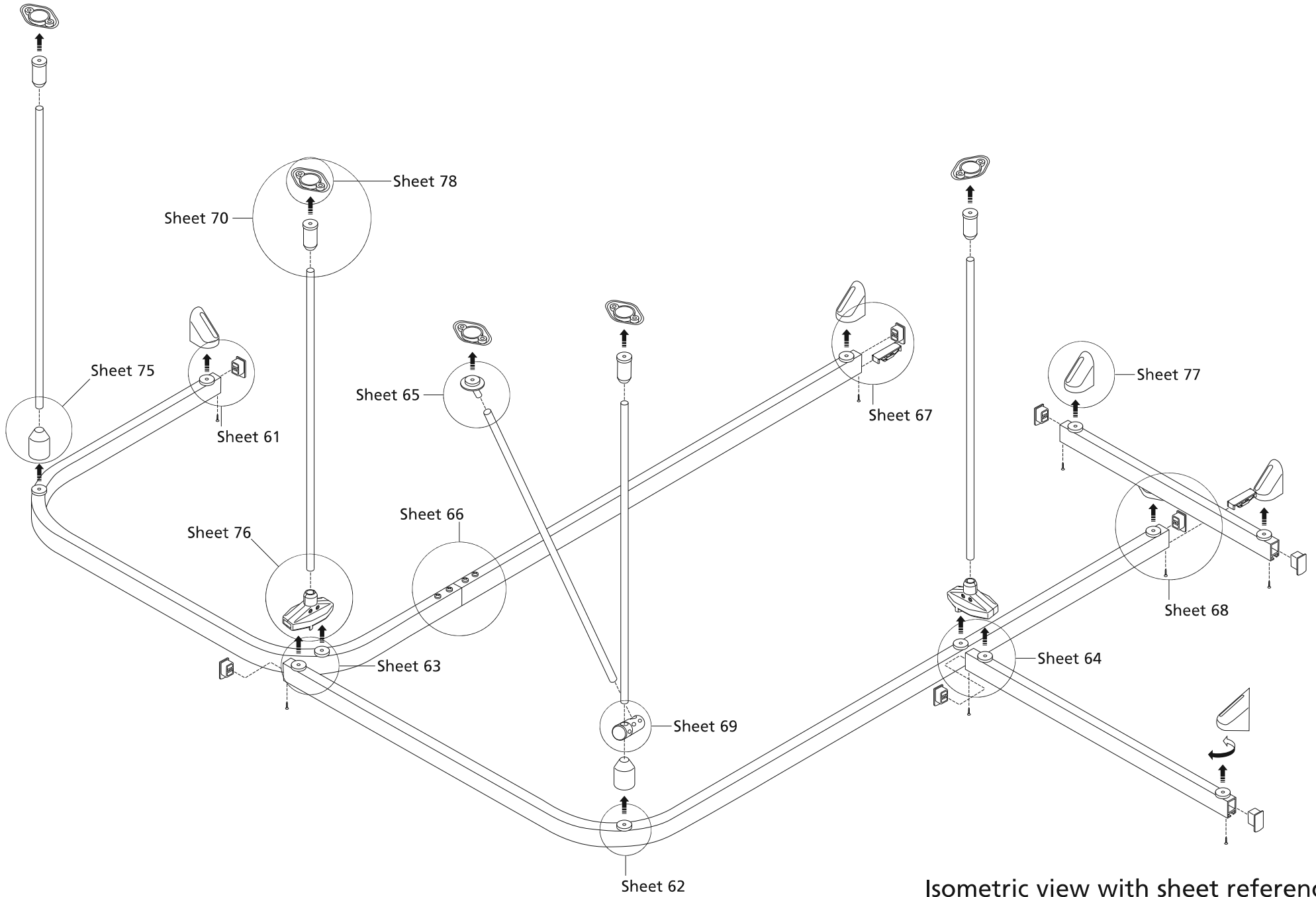


Kestrel

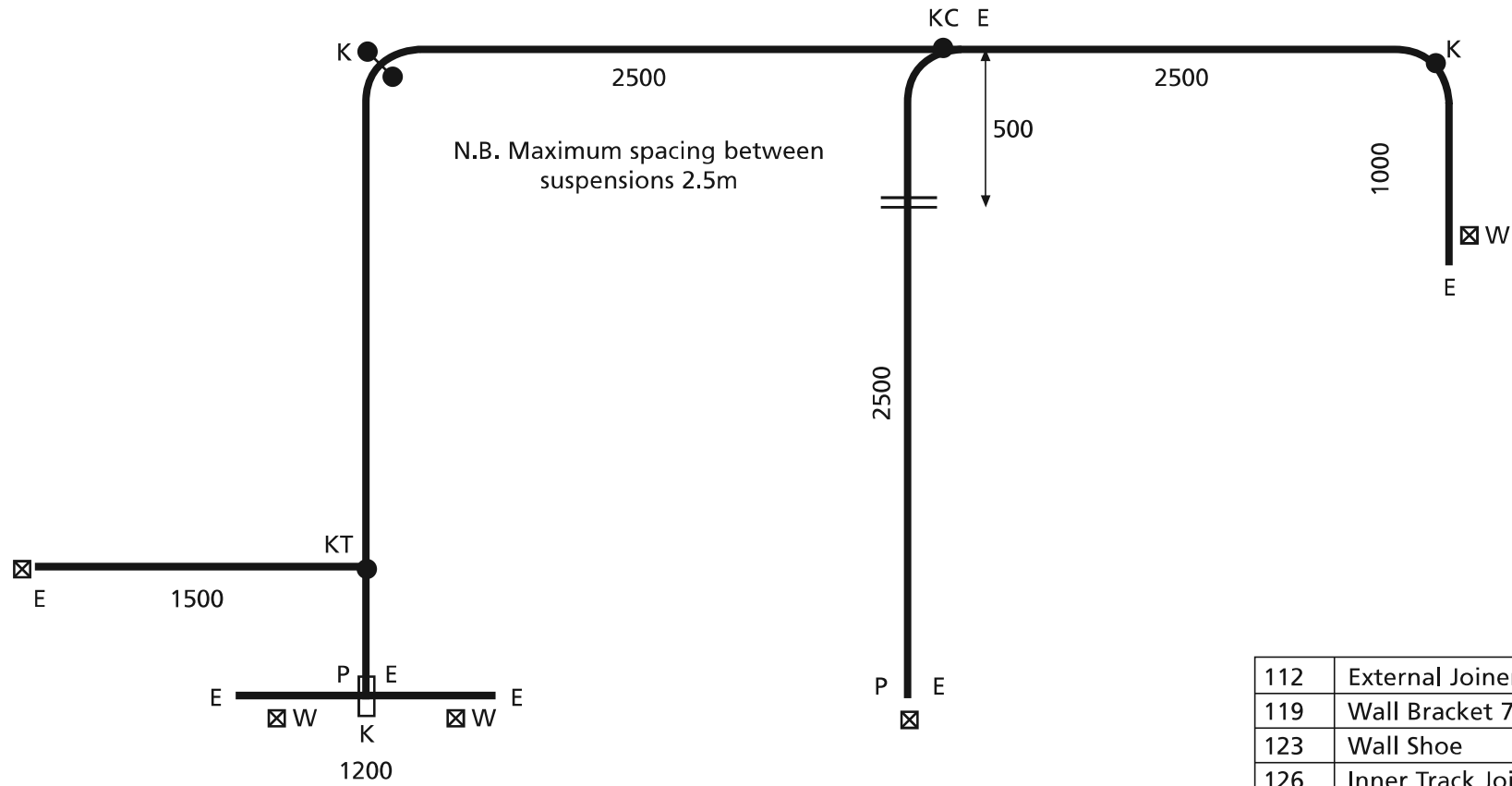
MAGNETIC SUSPENSION SYSTEM

Patented

Suspended cubicle track with magnets top and bottom



Suspended cubicle track with magnets top and bottom

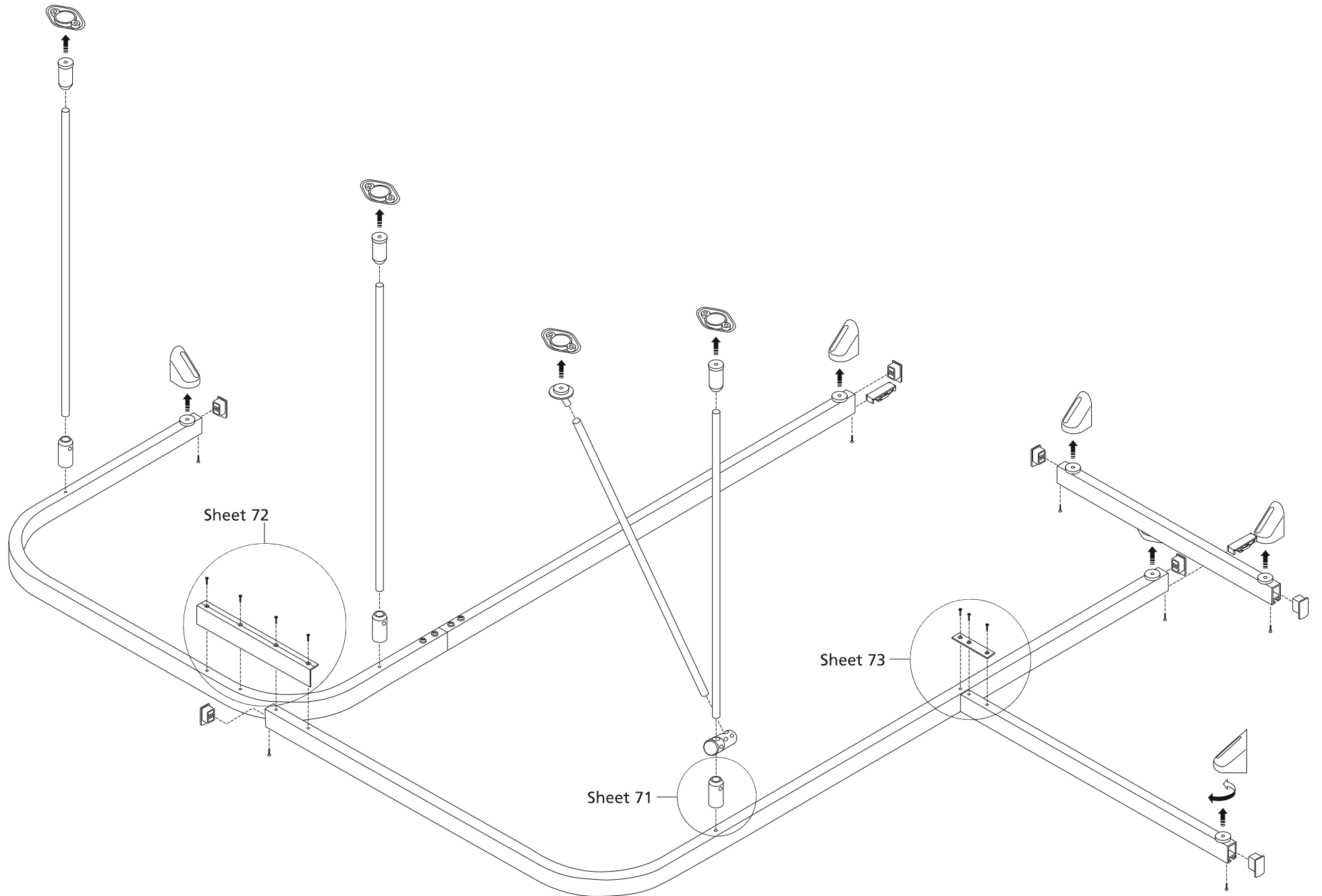


112	External Joiner	—
119	Wall Bracket 75mm	△
123	Wall Shoe	⊗
126	Inner Track Joiner	≡
130	End Stop	E
130S	Traverse Stop	S
150/1	Parallel Wall Bracket 100mm	W1
151	Overlap	C
152	Angle Bracket	AB
153	T-Joint	T
154	Crossover	X
155P	Curtain Removal Point	P
156D	Ceiling Fixing Plate Double	▢●●
313	Hanger Assembly	●
313V	V-Hanger Assembly	●—●

EXAMPLE ONLY
of dimension
drawing showing
use of symbols
based on isometric
drawing

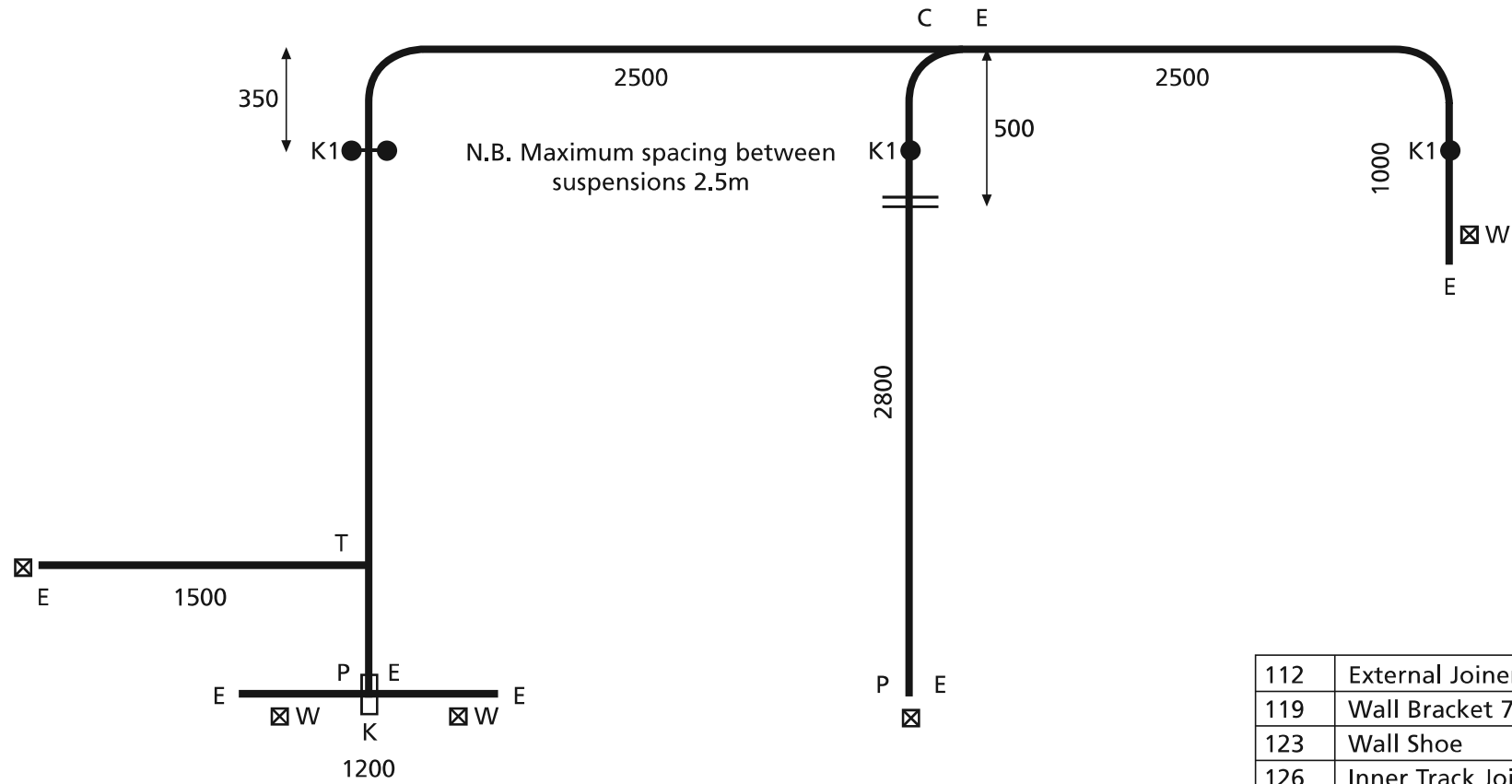
K555PC	Wall Fix Bracket	⊗
-	Parallel Wall Bracket	⊗ W
K558PC	Top Fix Bracket	K □
-	Hanger Assembly (with magnet(s) at top only)	K1 ● with V-Hanger K1 ●—●
-	Hanger Assembly (with magnet(s) top and bottom)	K ● with V-Hanger K ●—●
-	Double Hanger Assembly as Overlap	KC ● with V-Hanger KC ●—●
-	Double Hanger Assembly as T-Joint	KT ● with V-Hanger KT ●—●

Suspended cubicle track with magnets at top of suspension only



Isometric view with sheet references

Suspended cubicle track with magnets at top of suspension only

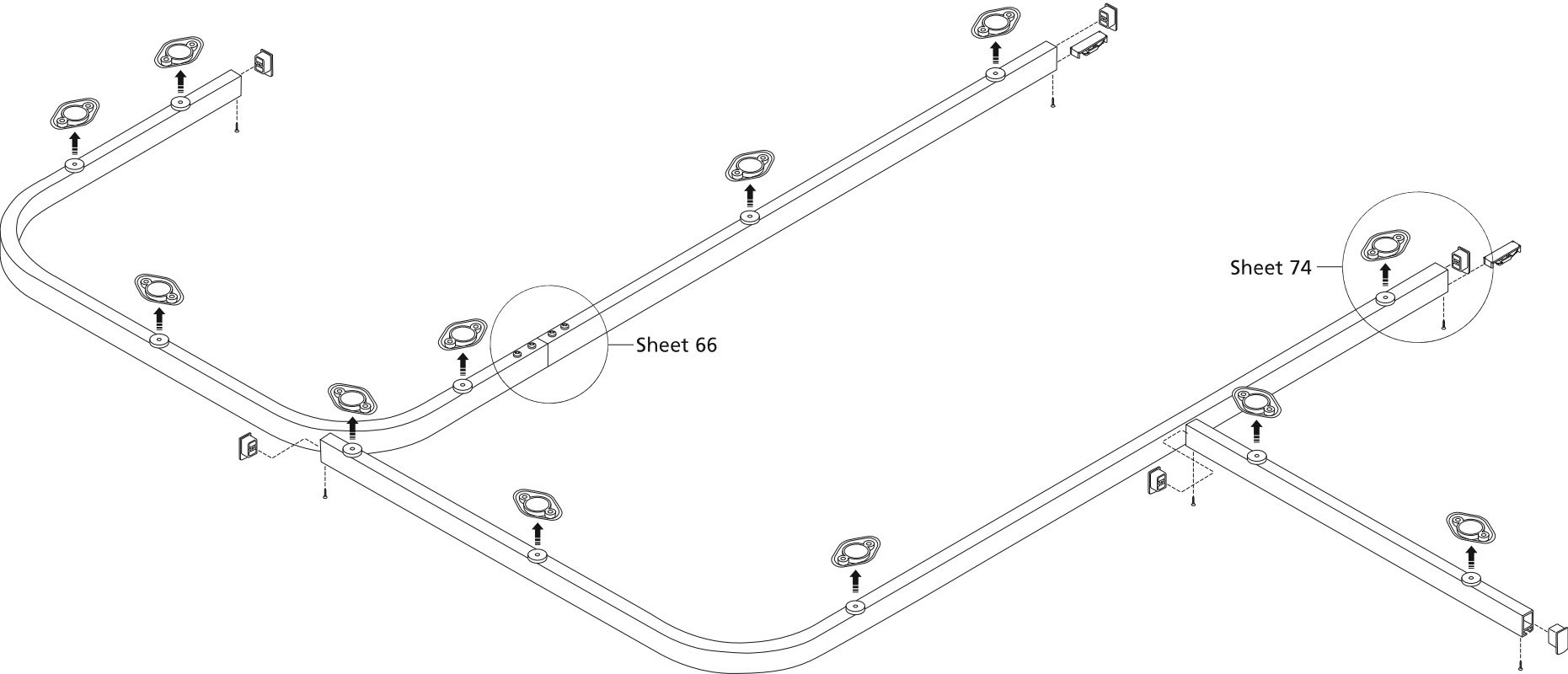


112	External Joiner	—
119	Wall Bracket 75mm	△
123	Wall Shoe	⊗
126	Inner Track Joiner	≡
130	End Stop	E
130S	Traverse Stop	S
150/1	Parallel Wall Bracket 100mm	W1
151	Overlap	C
152	Angle Bracket	AB
153	T-Joint	T
154	Crossover	X
155P	Curtain Removal Point	P
156D	Ceiling Fixing Plate Double	▢●●
313	Hanger Assembly	●
313V	V-Hanger Assembly	●—●

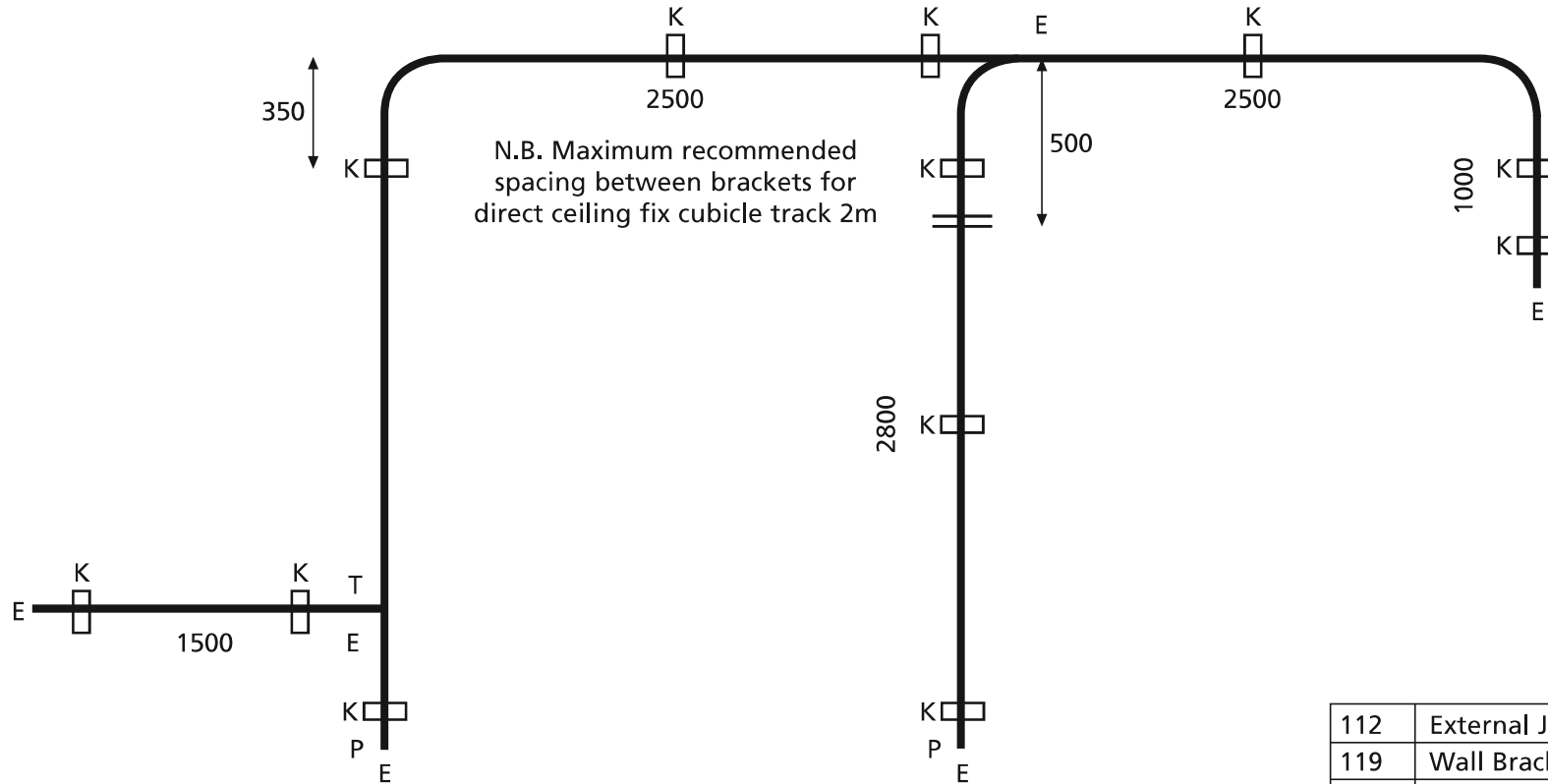
EXAMPLE ONLY
of dimension
drawing showing
use of symbols
based on isometric
drawing

K555PC	Wall Fix Bracket	⊗		
-	Parallel Wall Bracket	⊗ W		
K558PC	Top Fix Bracket	K □		
-	Hanger Assembly (with magnet(s) at top only)	K1 ●	with V-Hanger	K1 ●—●
-	Hanger Assembly (with magnet(s) top and bottom)	K ●	with V-Hanger	K ●—●
-	Double Hanger Assembly as Overlap	KC ●	with V-Hanger	KC ●—●
-	Double Hanger Assembly as T-Joint	KT ●	with V-Hanger	KT ●—●

Direct ceiling fix cubicle track with Kestrel



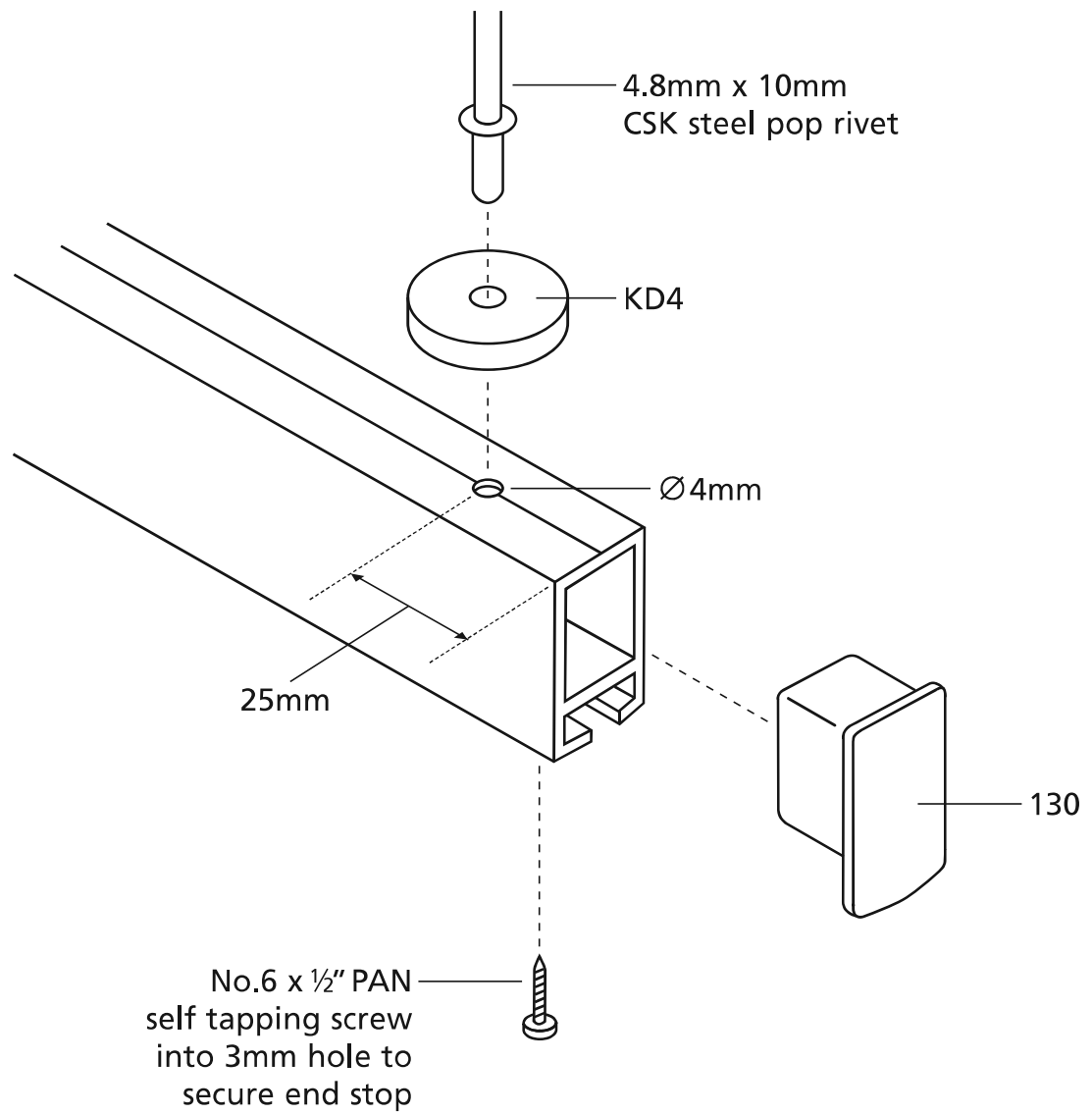
Direct ceiling fix cubicle track with Kestrel

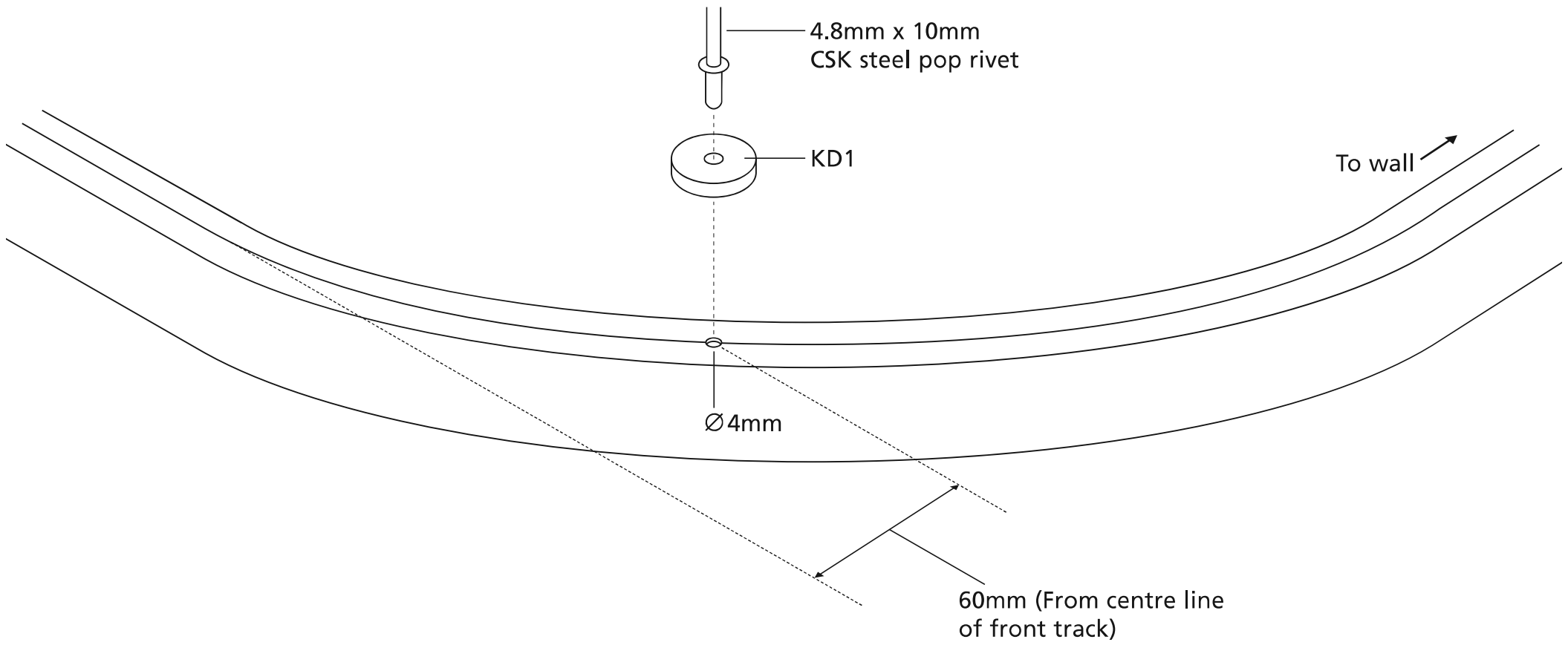


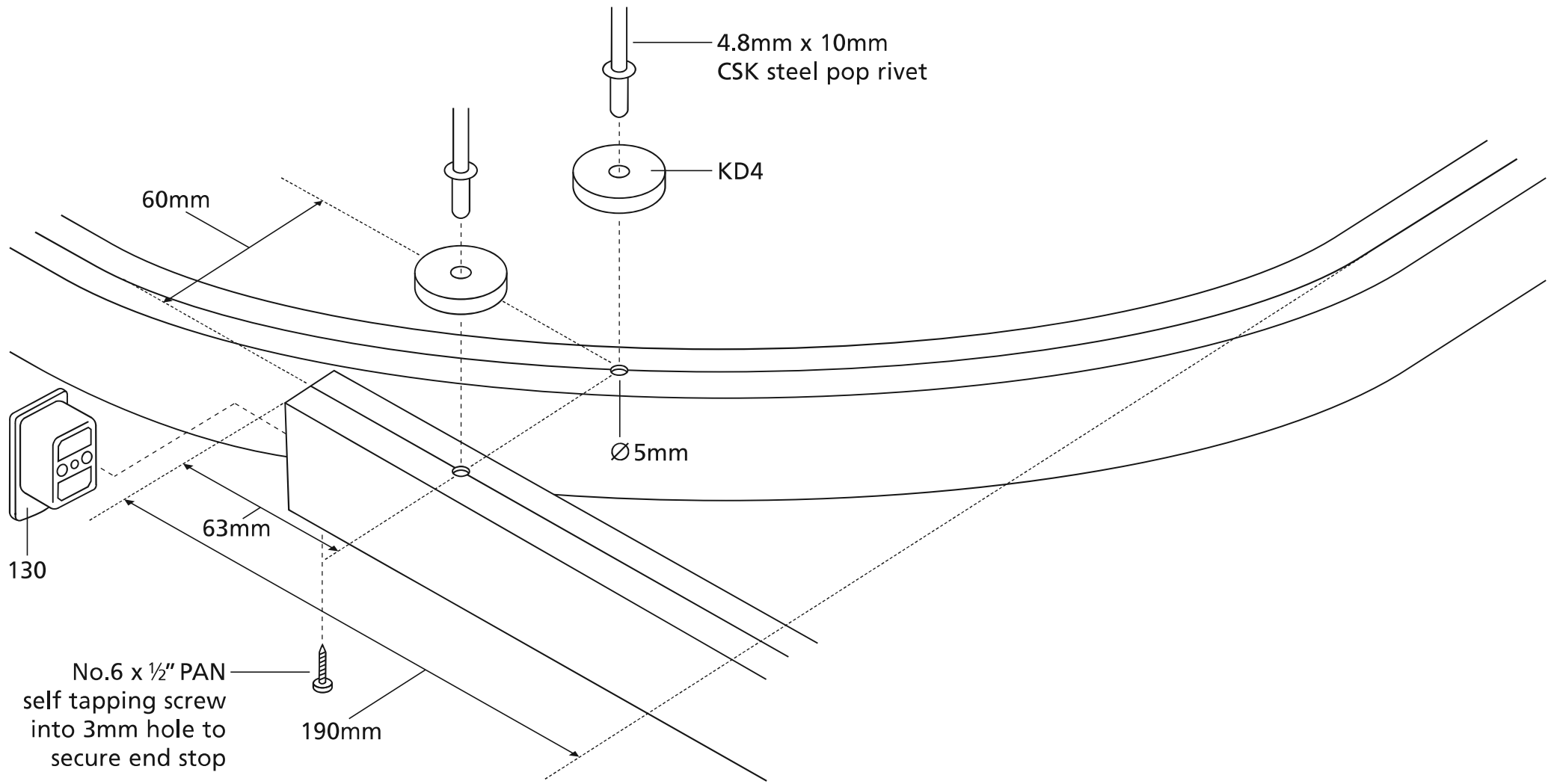
EXAMPLE ONLY
of dimension
drawing showing
use of symbols
based on isometric
drawing

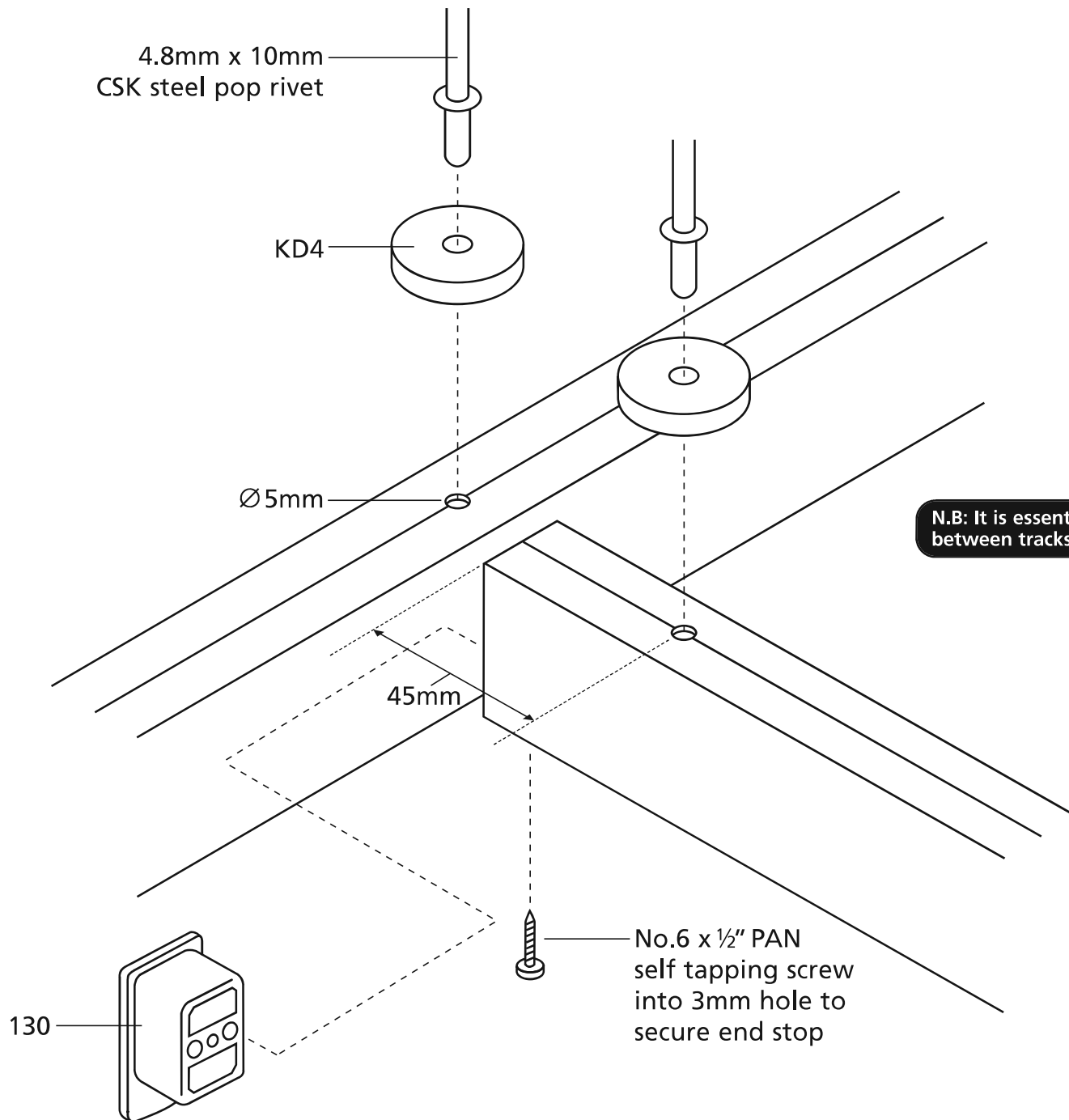
K555PC	Wall Fix Bracket	☒		
-	Parallel Wall Bracket	☒ W		
K558PC	Top Fix Bracket	K ☐		
-	Hanger Assembly (with magnet(s) at top only)	K1 ●	with V-Hanger	K1 ●—●
-	Hanger Assembly (with magnet(s) top and bottom)	K ●	with V-Hanger	K ●—●
-	Double Hanger Assembly as Overlap	KC ●	with V-Hanger	KC ●—●
-	Double Hanger Assembly as T-Joint	KT ●	with V-Hanger	KT ●—●

112	External Joiner	—
119	Wall Bracket 75mm	△
123	Wall Shoe	⊗
126	Inner Track Joiner	≡
130	End Stop	E
130S	Traverse Stop	S
150/1	Parallel Wall Bracket 100mm	W1
151	Overlap	C
152	Angle Bracket	AB
153	T-Joint	T
154	Crossover	X
155P	Curtain Removal Point	P
156D	Ceiling Fixing Plate Double	☐●●
313	Hanger Assembly	●
313V	V-Hanger Assembly	●—●

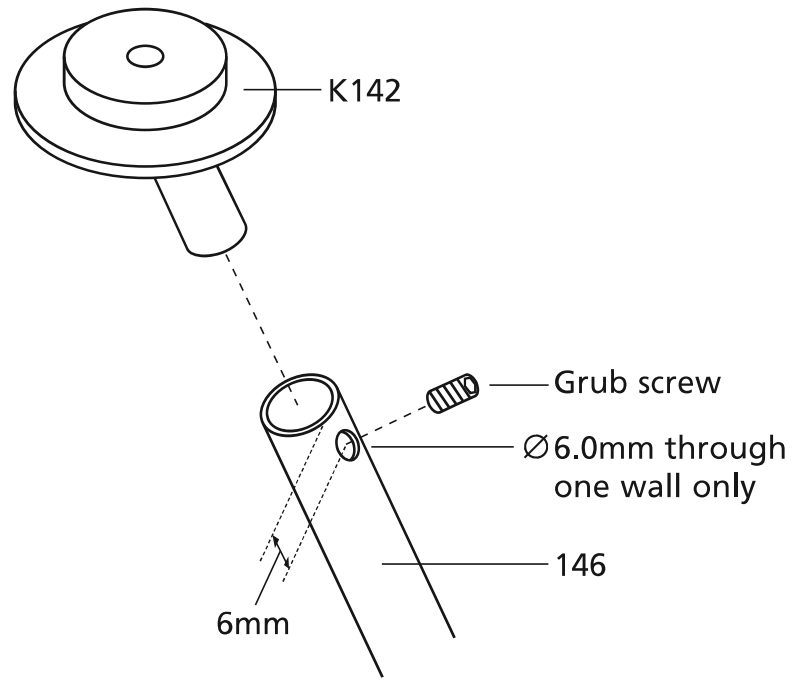


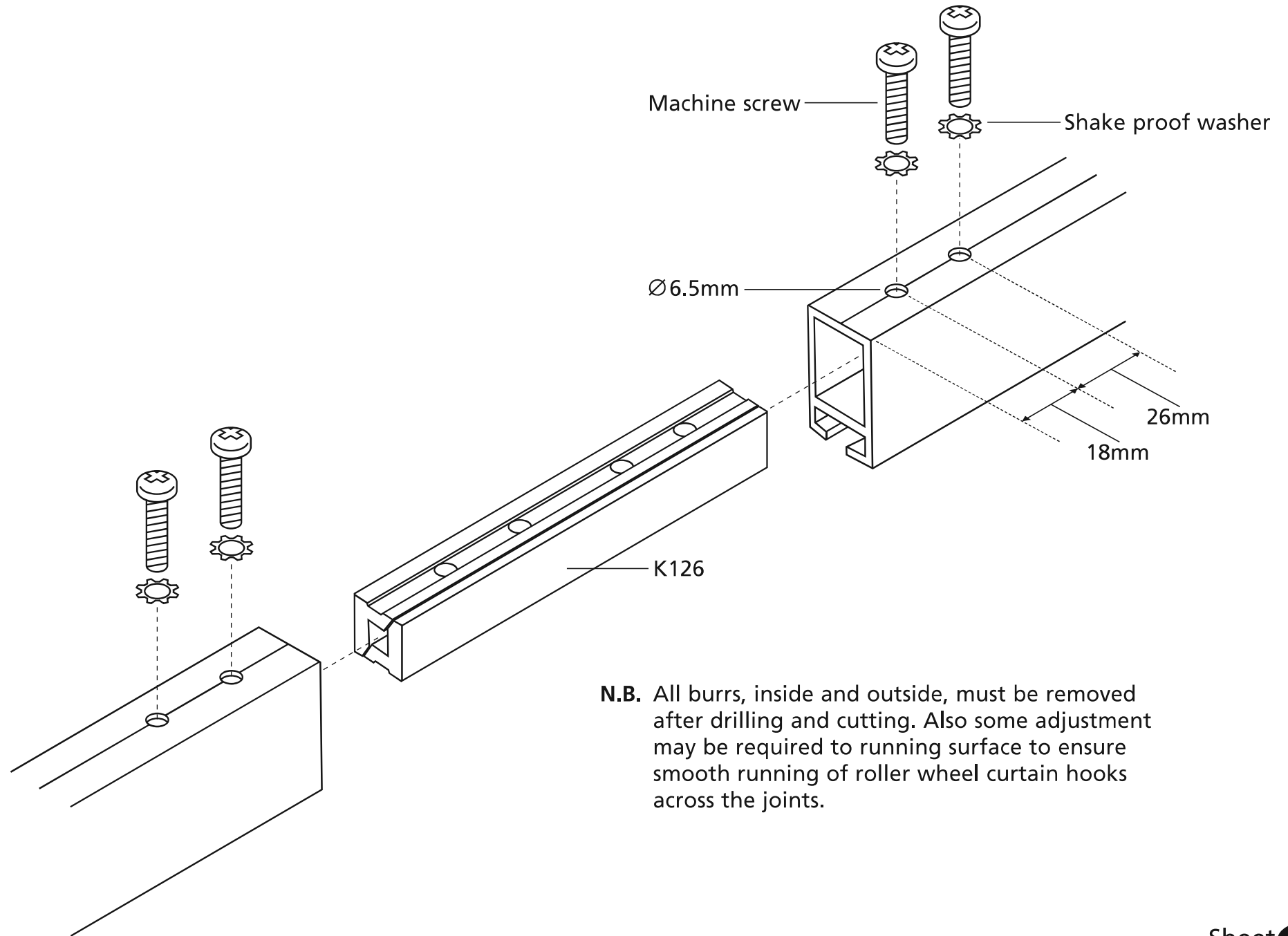


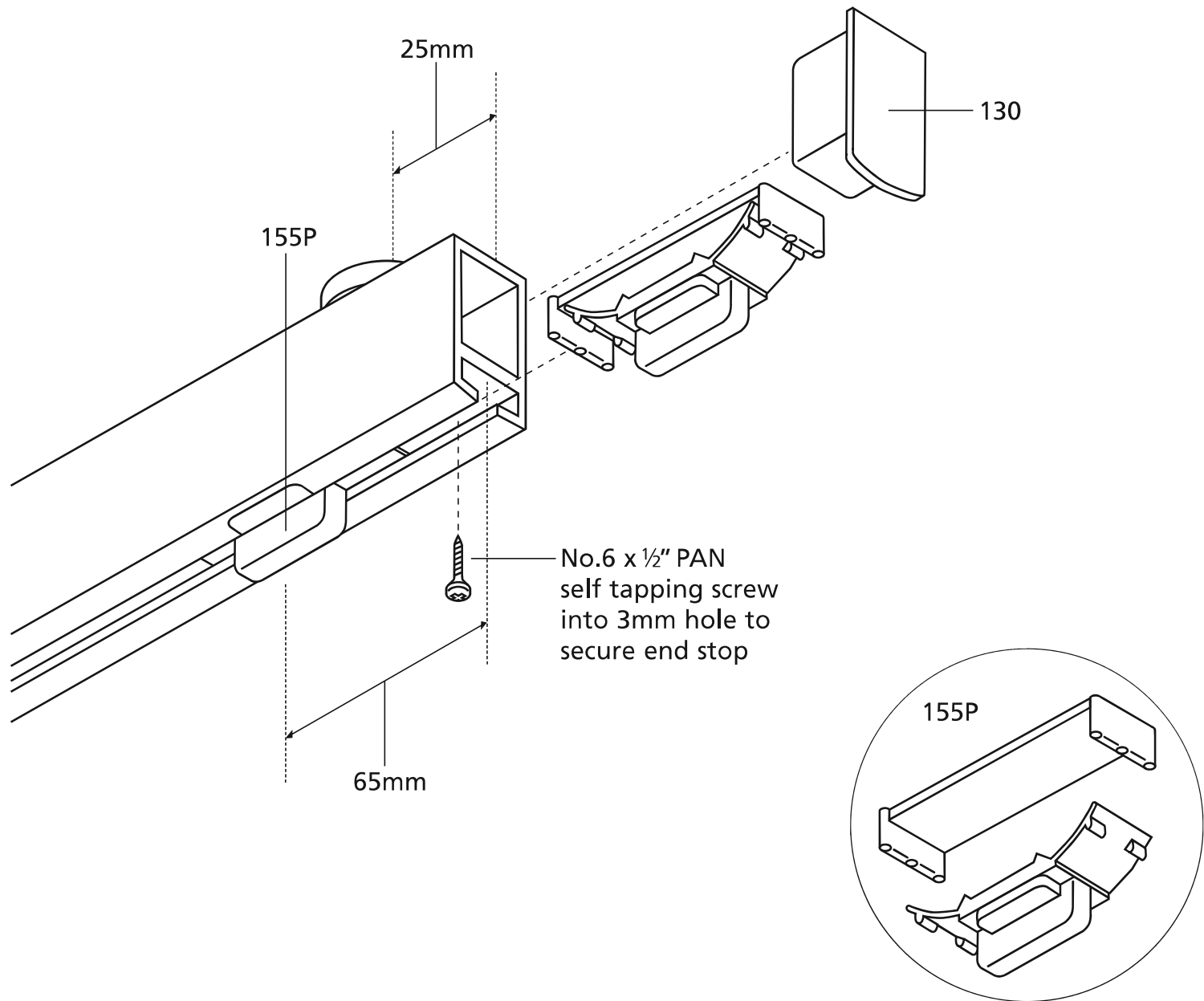


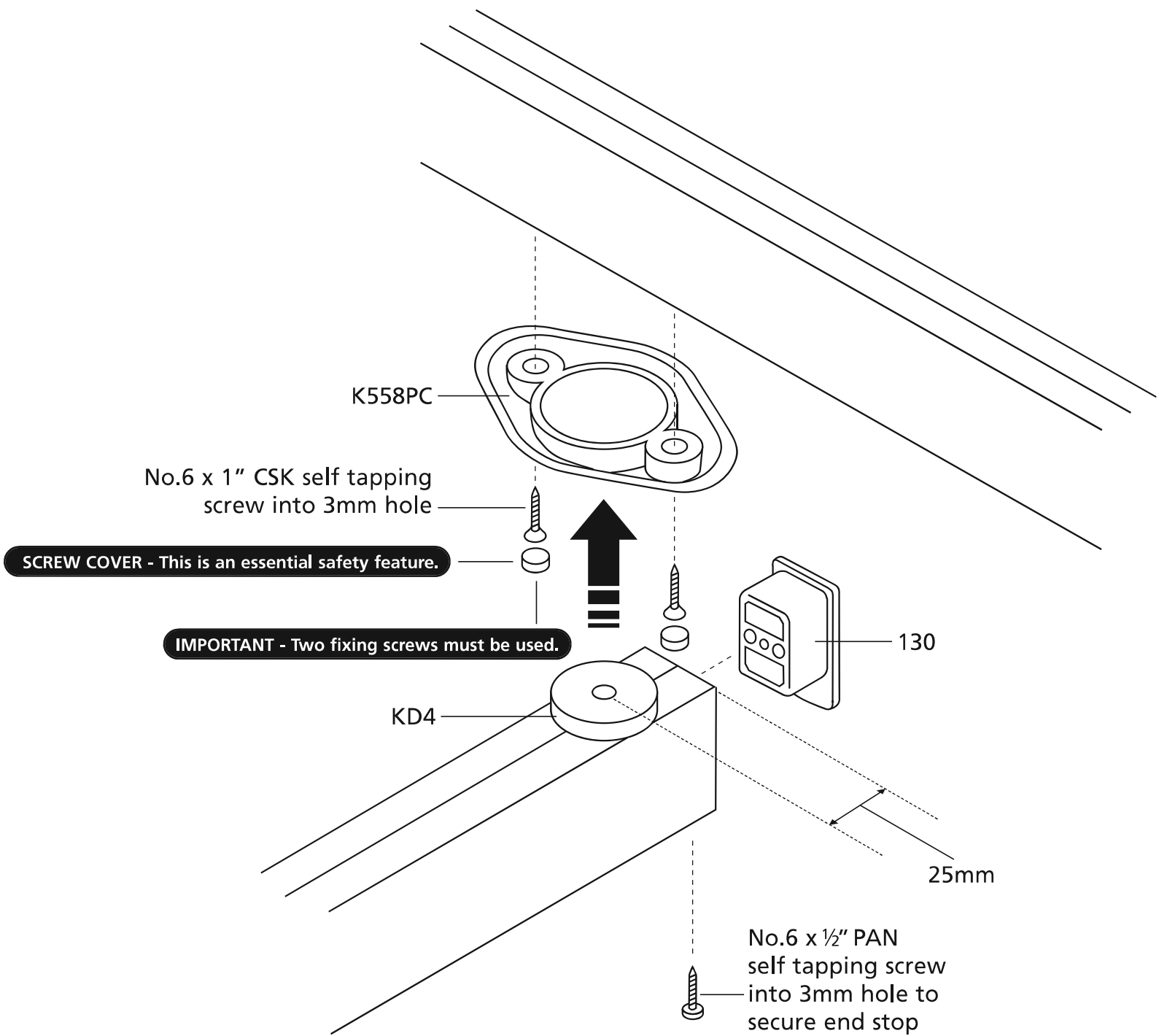


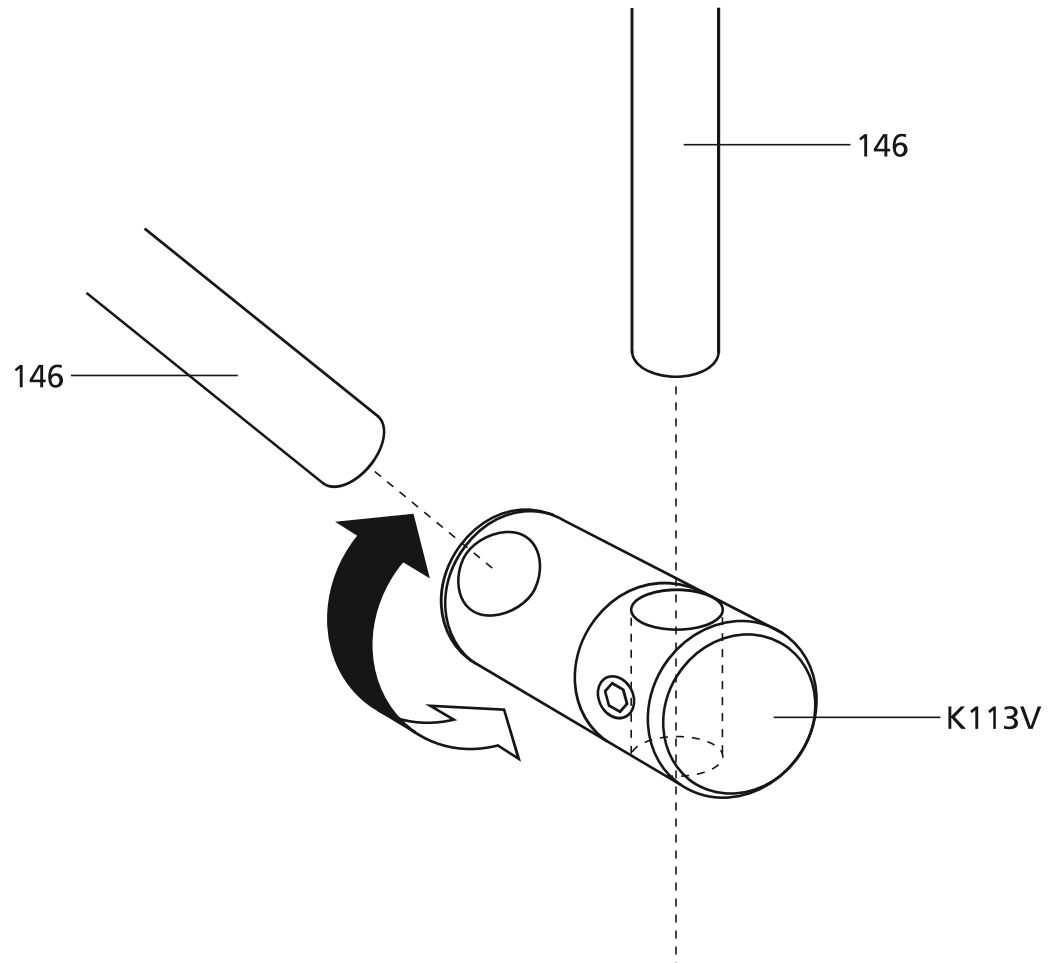
N.B: It is essential to maintain a clearance of 2mm between tracks with end cap in place.

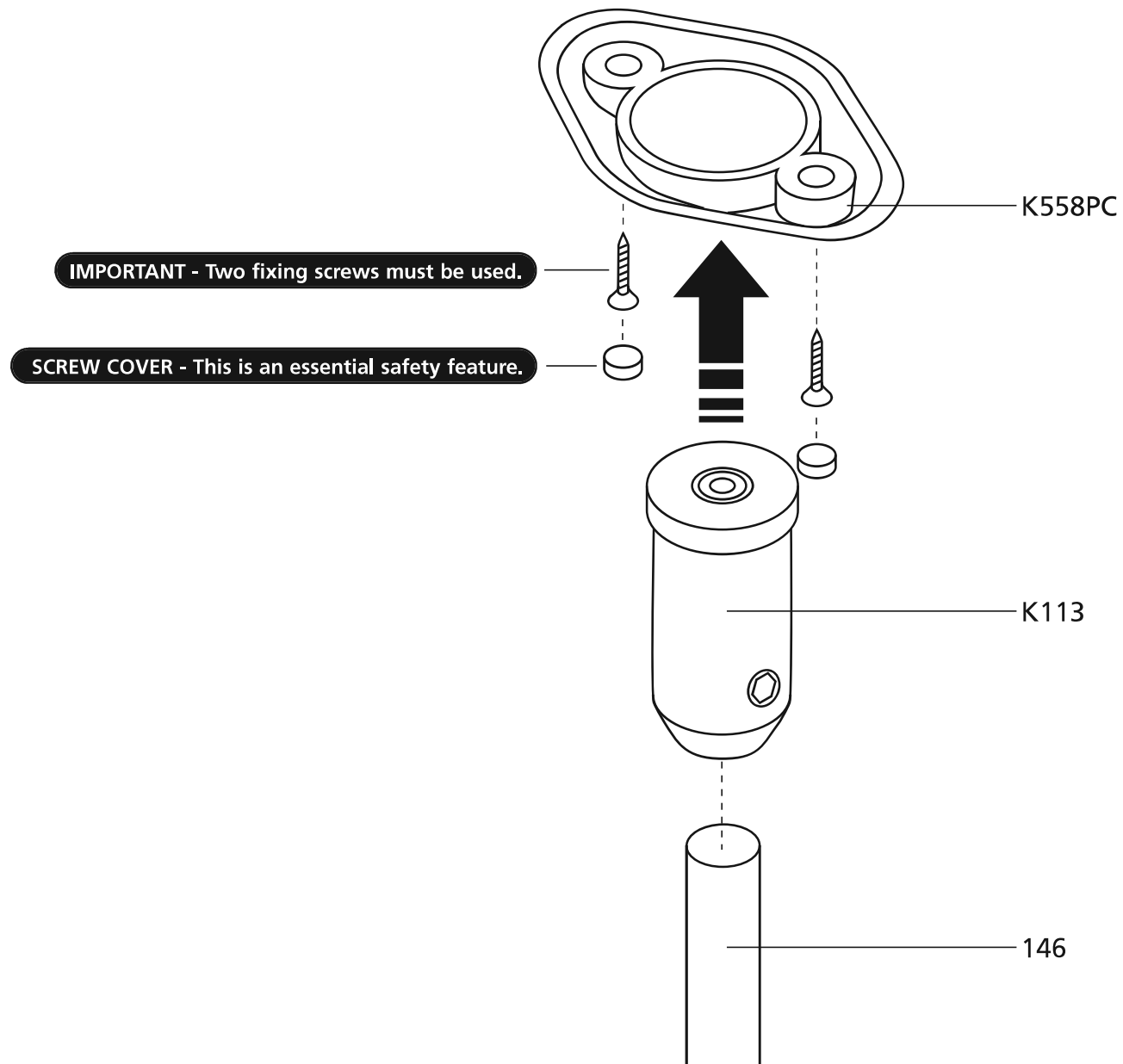


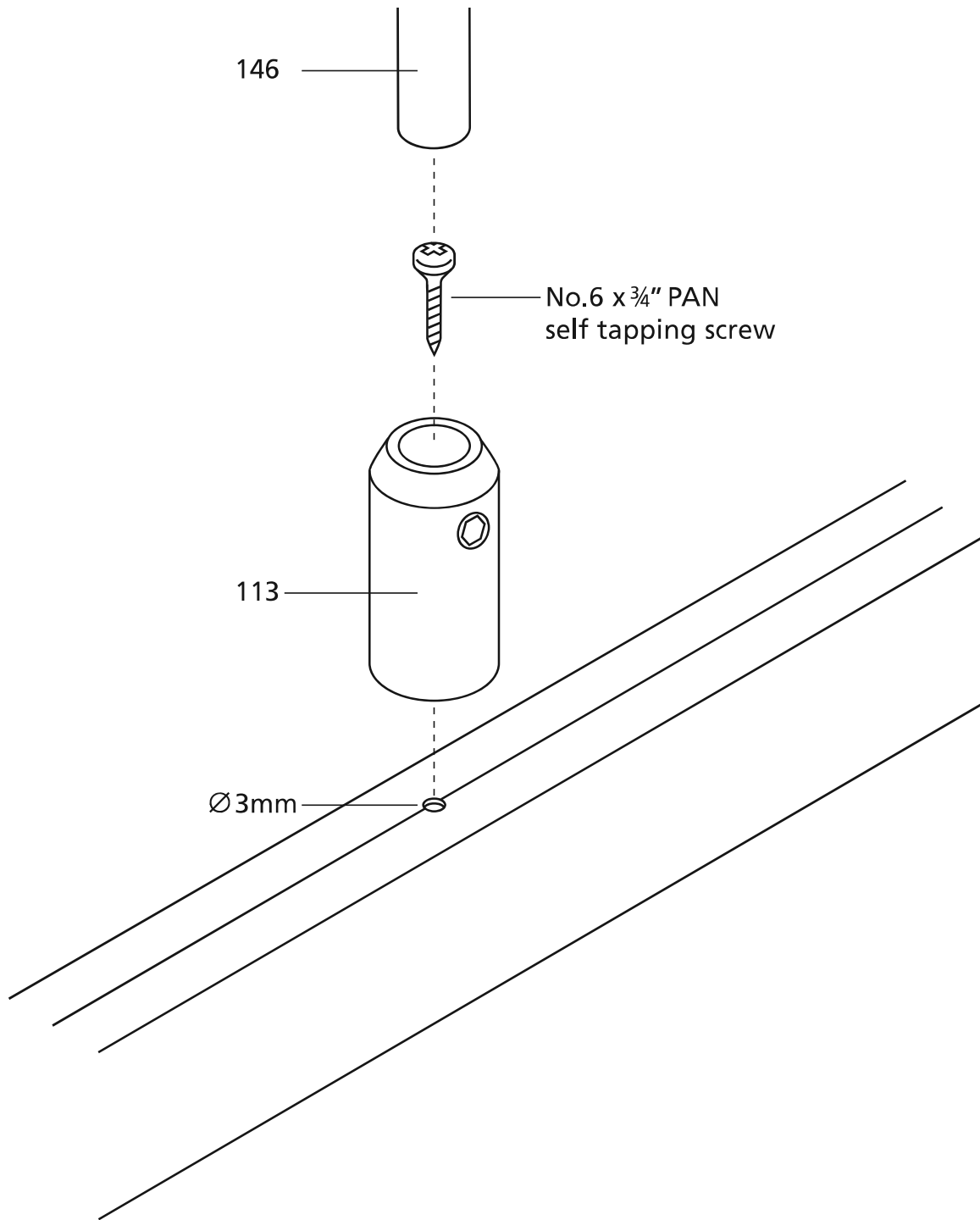


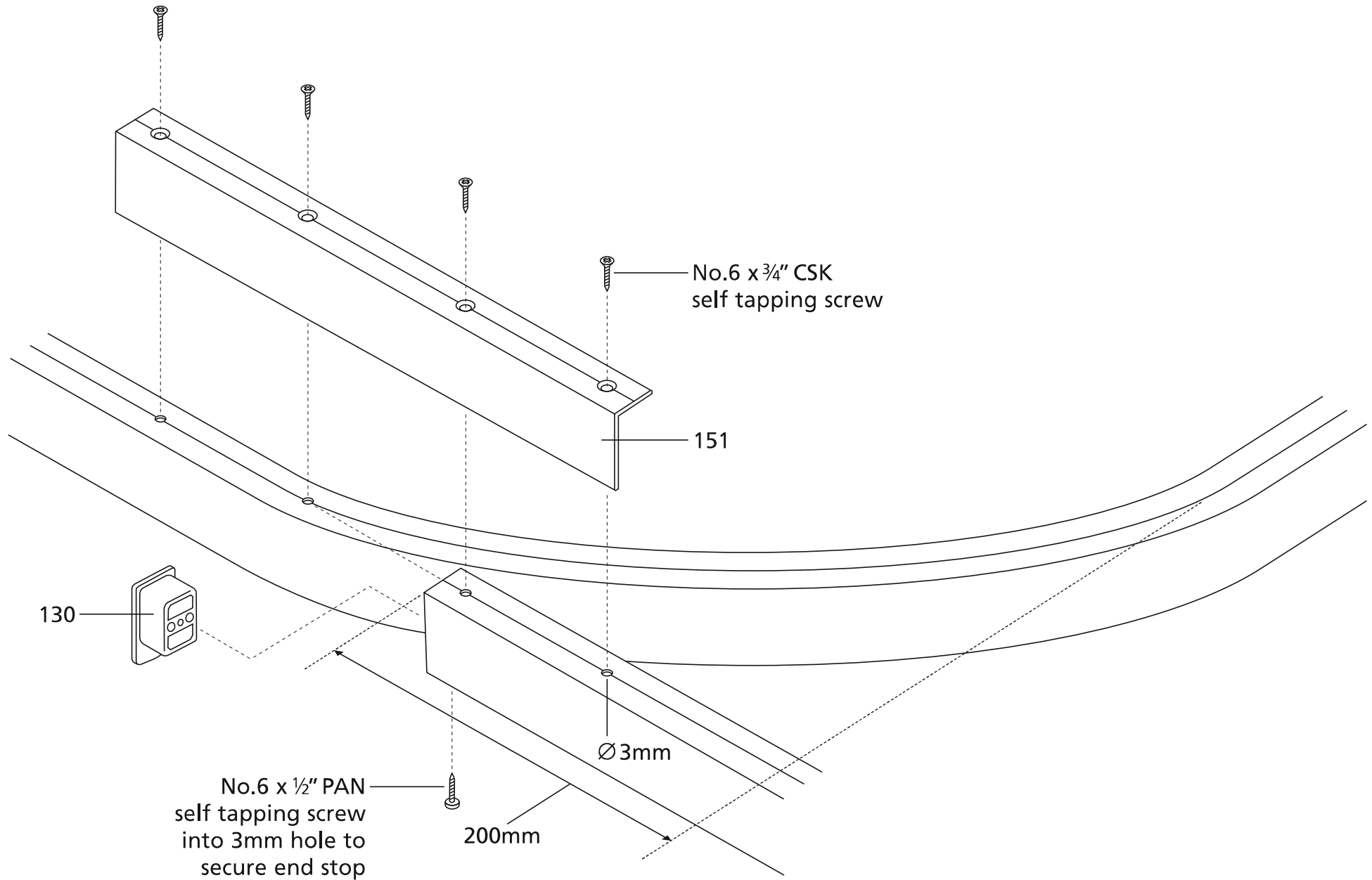


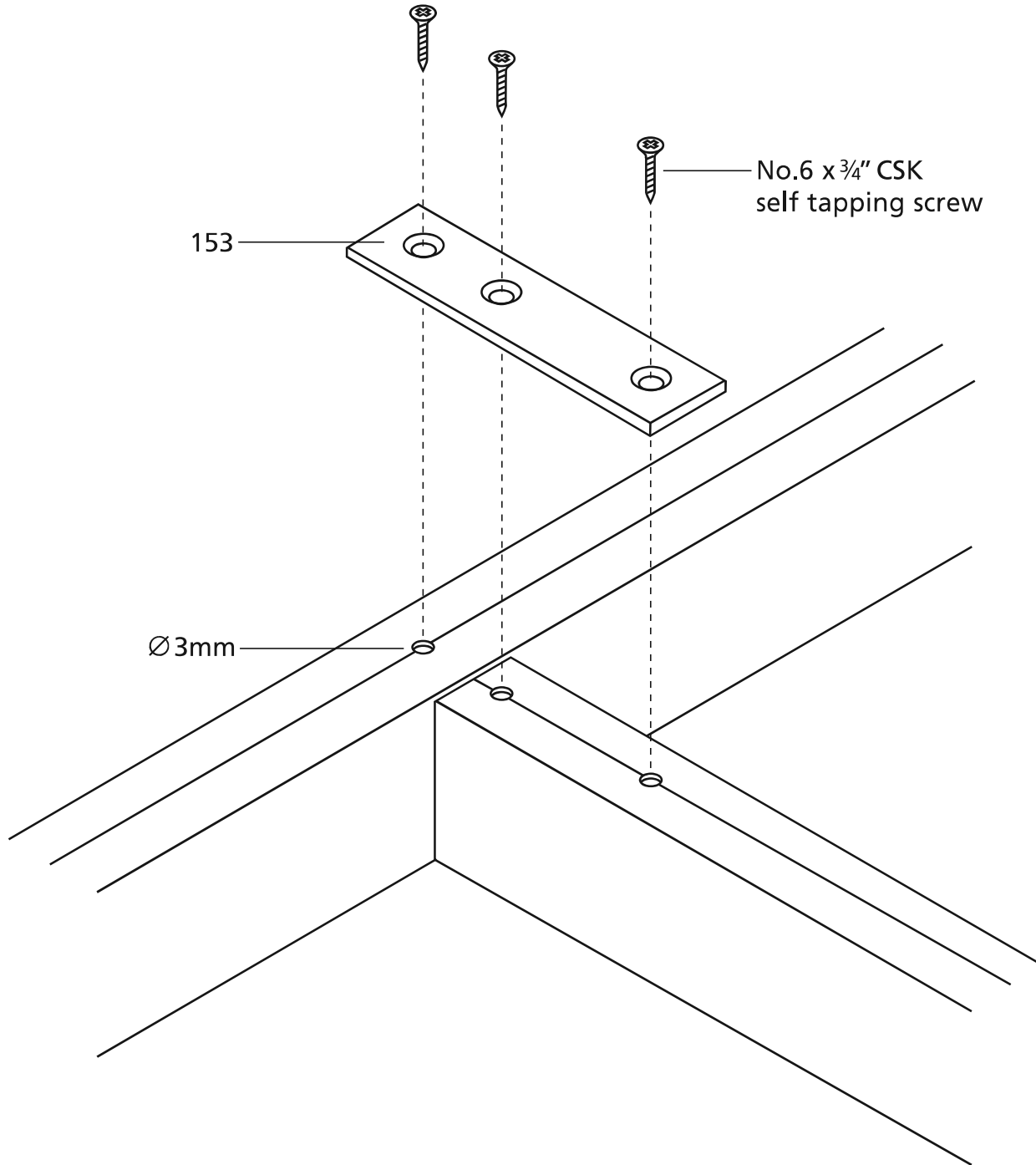


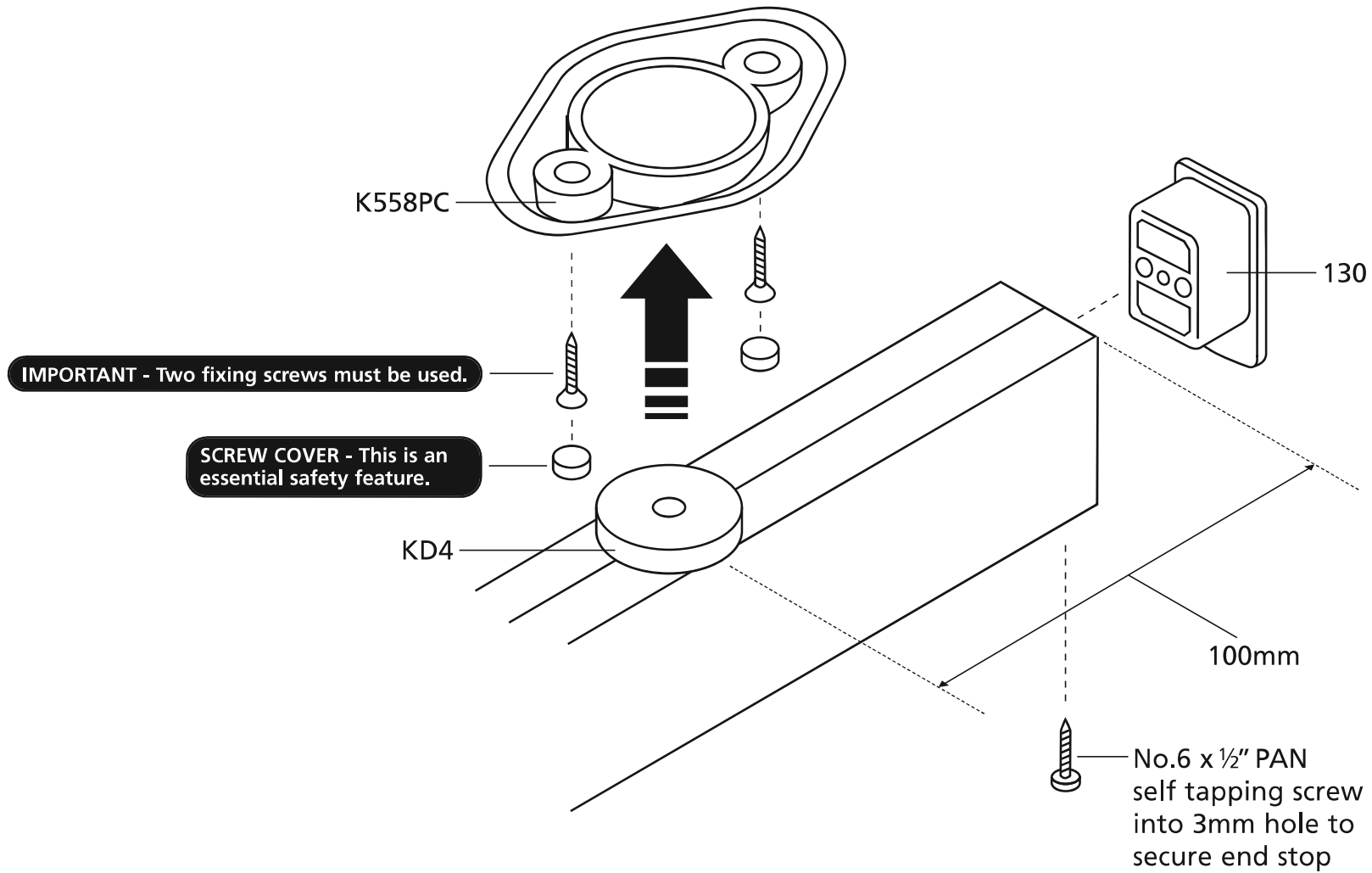




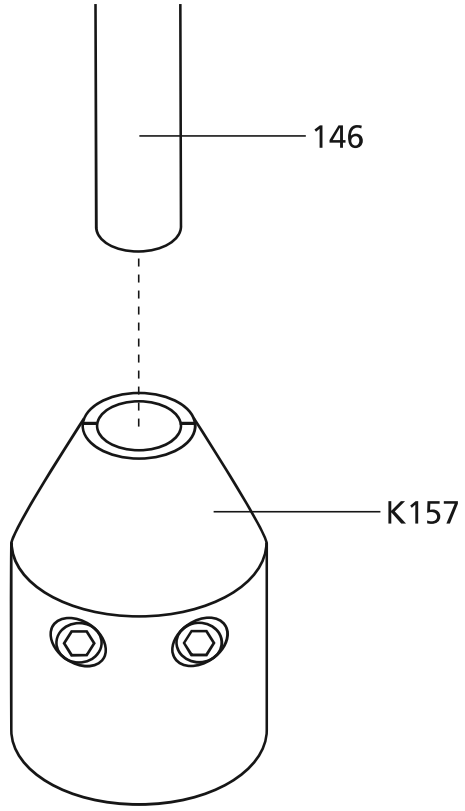




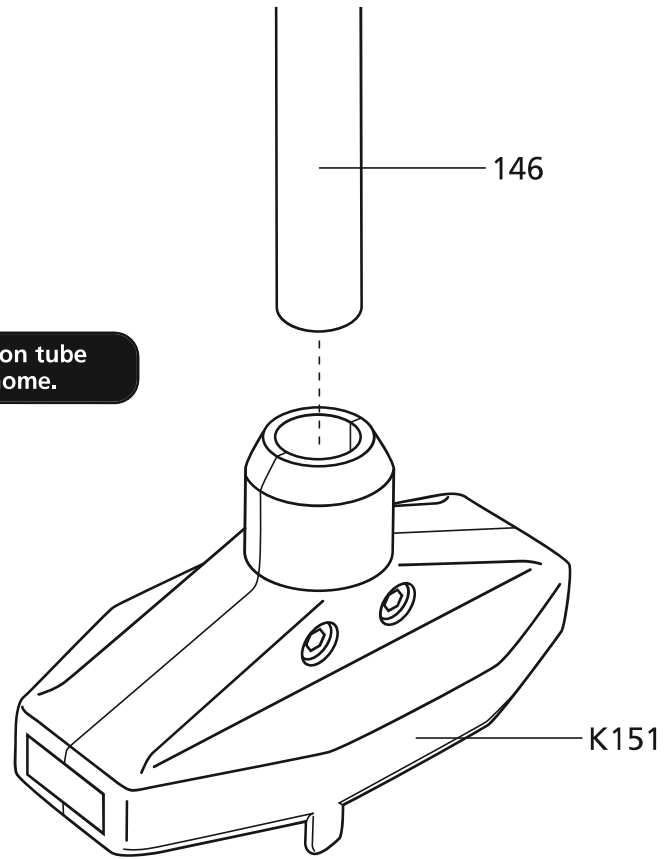




N.B: Ensure suspension tube 146 is pushed fully home.



N.B: Ensure suspension tube 146 is pushed fully home.



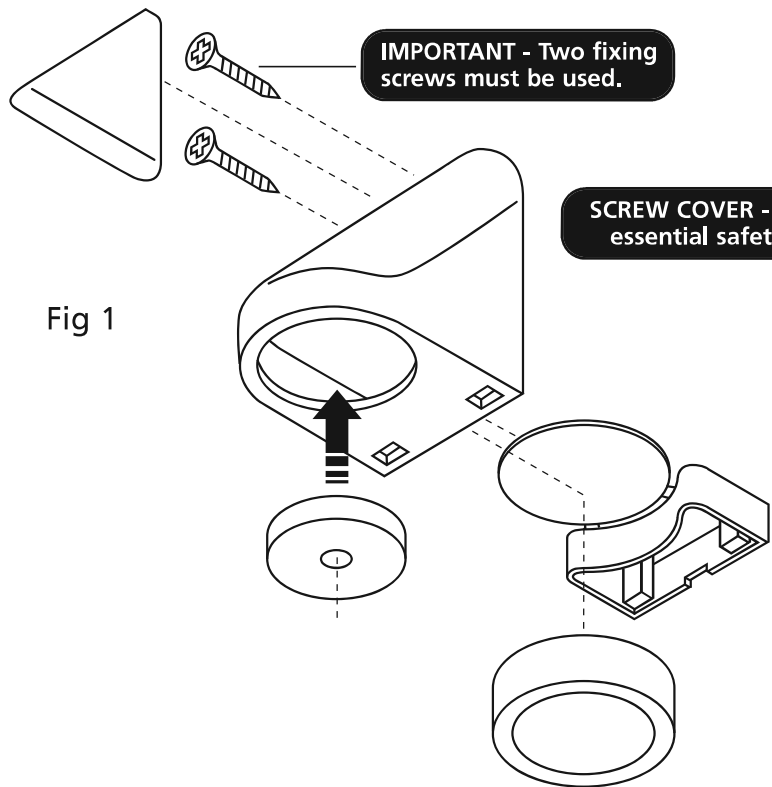


Fig 1

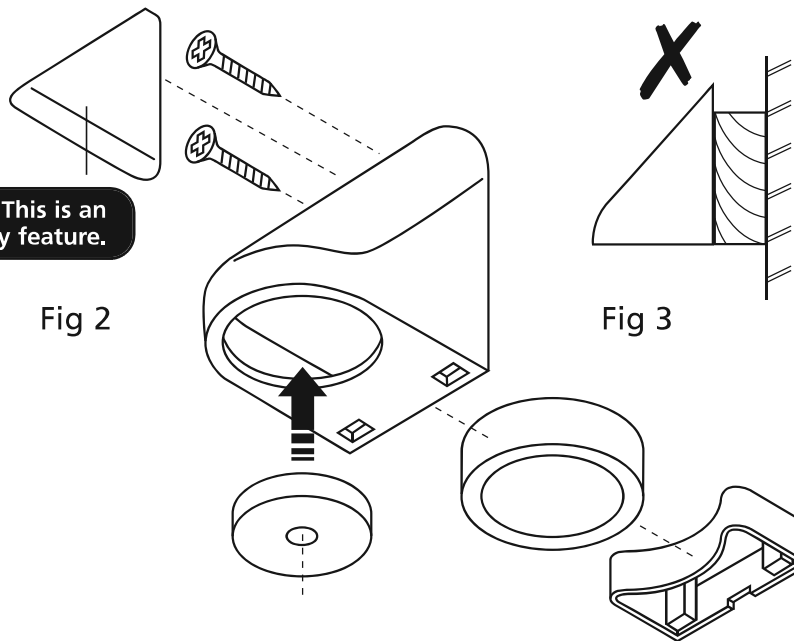


Fig 2

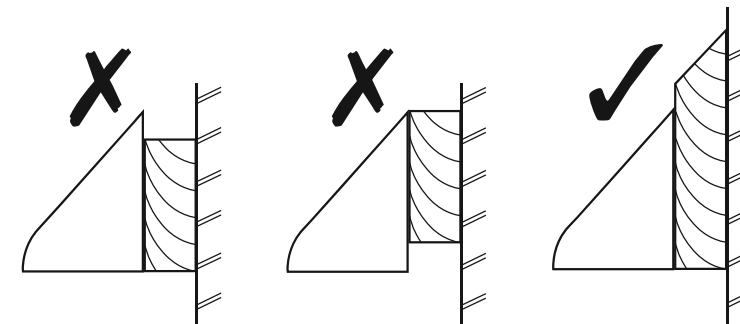


Fig 3

WALL FIX BRACKET

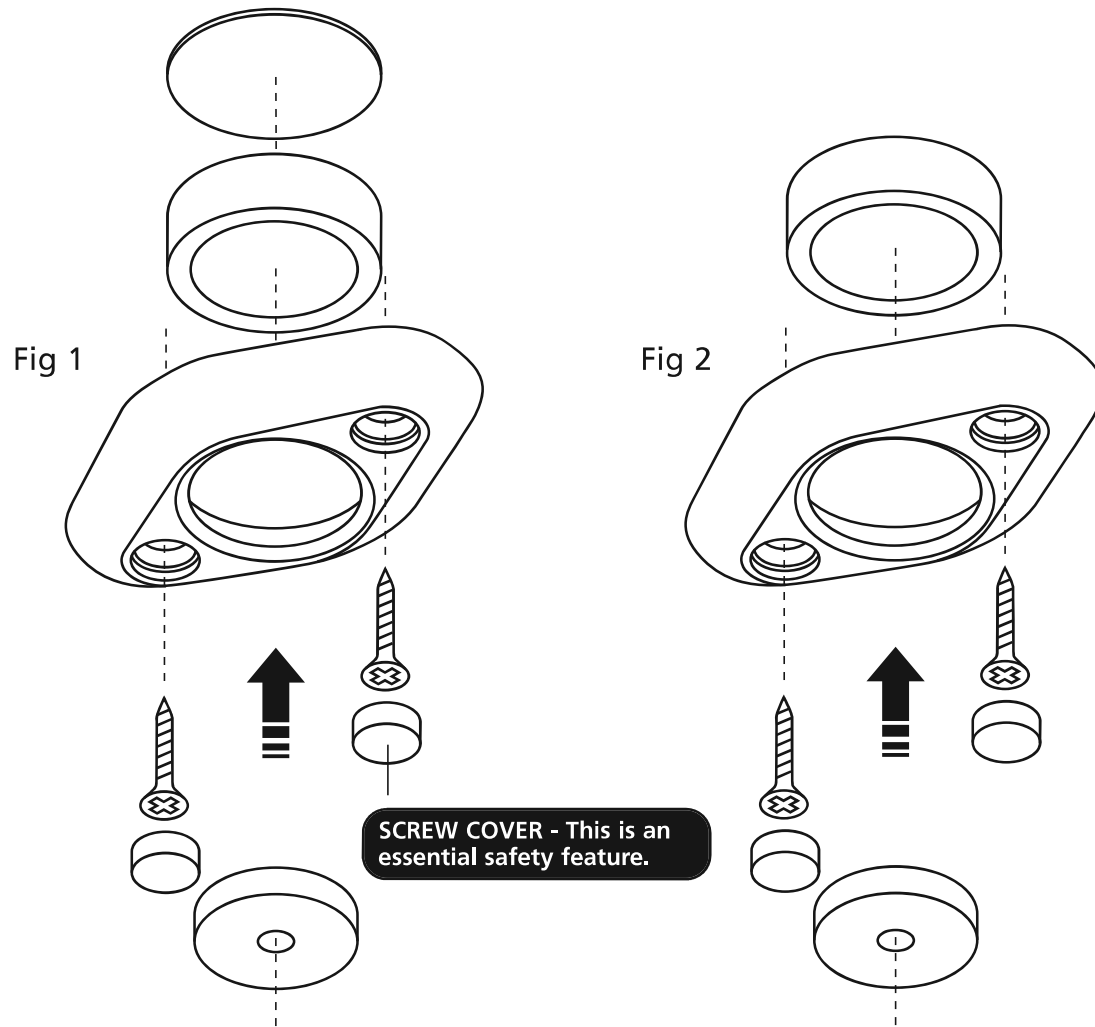
K555PC

Fix as shown in Fig 1 using suitable fixings. It is important that the bracket is securely fixed to the substrate and care must be taken to ensure that no ligature points are left once installation has been completed. If a degree of float is required in the magnet, the packing disc may be discarded (See Fig 2). Once the bracket position has been confirmed by testing, the push-in screw cover **MUST** be fitted ensuring that it is flush with the bracket body. The push-in screw cover is intended to be a tight fit to prevent unauthorized access to fixings. If the bracket is being fixed to a batten or packer see Fig 3.

ALL BRACKETS

Discs should be horizontal and centre of gravity of load should be directly beneath centre-line of discs. Test completed installation. The downward force needed to part the brackets should never be more than 400N (40kg static load) at any point.

Warning: The magnetic element of the Kestrel bracket is POWERFUL. Handle with care. If allowed to attach to a flat steel surface it may be difficult to remove. DO NOT PLACE NEAR SENSITIVE ELECTRONIC EQUIPMENT.



TOP FIX BRACKET

K558PC

Fix as shown in Fig 1 using suitable fixings. It is important that the bracket is securely fixed to the substrate and care must be taken to ensure that no ligature points are left once installation has been completed. If a degree of float is required in the magnet, the packing disc may be discarded (See Fig 2). Once the bracket position has been confirmed by testing, the push-in screw cover **MUST** be fitted ensuring that it is flush with the bracket body. The push-in screw cover is intended to be a tight fit to prevent unauthorized access to fixings. If the bracket is being fixed to a batten or packer see Fig 3.

ALL BRACKETS

Discs should be horizontal and centre of gravity of load should be directly beneath centre-line of discs. Test completed installation. The downward force needed to part the brackets should never be more than 400N (40kg static load) at any point.

Warning: The magnetic element of the Kestrel bracket is **POWERFUL**. Handle with care. If allowed to attach to a flat steel surface it may be difficult to remove. **DO NOT PLACE NEAR SENSITIVE ELECTRONIC EQUIPMENT.**

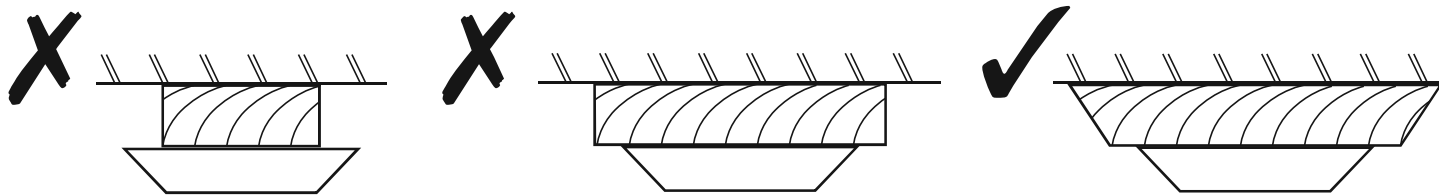


Fig 3

 **Hipac**
We're here for life