

Triple, Variable-Focus24" LED Surgical Light Fixture Aurora Four

AUA555, AUA55TV5, AUA555TV



Model AUA555

Technical Data

Fixture Weight: 162 kg

Moment Load: 1836 N·m

Minimum Ceiling Height: 2800mm

Maximum Ceiling Height: 3151mm

Electrical: 100-240 VAC, 212-310VA, 50/60 Hz, 1 phase

Max Intensity at 1 meter [lux]: @4100K = 480,000

@4500K = 421,500

Central Illuminance at 1 metre [lux]: @4100K = 160,000

@4500K = 140,500

CRI: @4100K = 95 @4500K = 96

Color Temperature: @4100K @4500K

Total Irradiance [watts/m²]: @4100K = 532.3

@4500K = 475.9

R9: @4100K = 91 @4500K = 95

Architectural Specification

The Aurora Four surgical lighting system consists of a ceiling mounted triple radial arm system with three 24" [610mm] diameter lightheads. Continuous 360° rotation is provided at all fixture rotation points.

Standard lightheads are equipped with a sterilisable center handle that allows surgeon control of lighthead positioning, focus and intensity. A focus knob and positioning handles are provided on the side of the lighthead for non-sterile control.

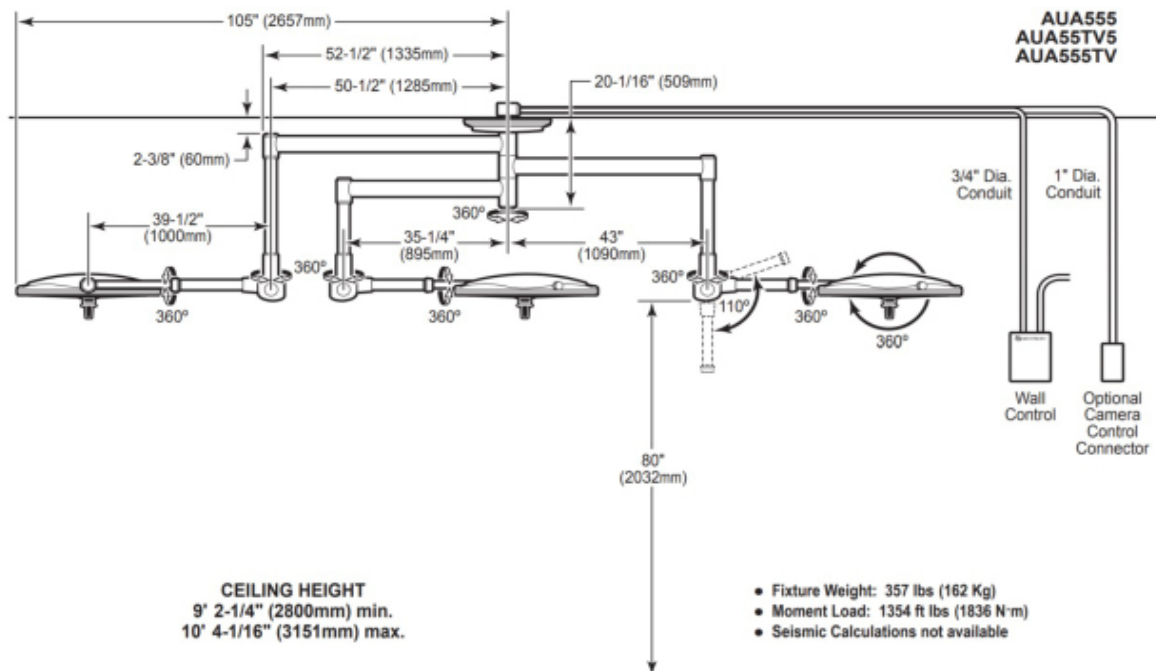
Each 24" [610mm] lighthead contains 5 focusable LED pods. Each focusable pod contains 7 individual LEDs with VSRD reflector technology. Each lighthead also contains 12 fixed focus center mounted LEDs. Total system output is 480,000 lux at a color temperature of 4,100K. LED life expectancy is 40,000 hours.

SKYTRON Aurora Four series, model AUA555, AUA55TV5 or AUA555TV.

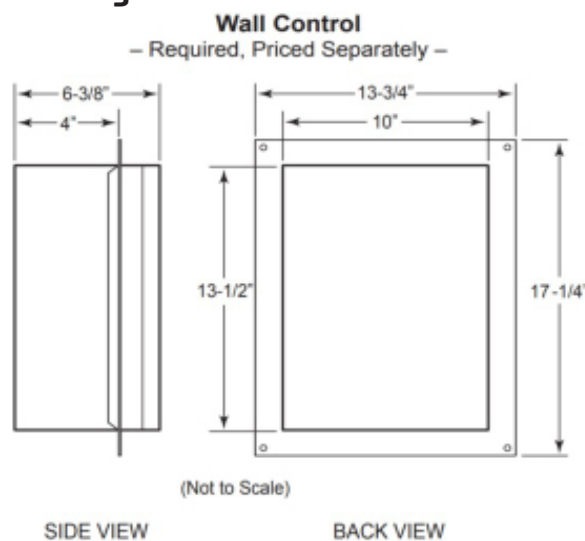
Triple, Variable-Focus24" LED Surgical Light Fixture Aurora Four

AUA555, AUA55TV5, AUA555TV

Product Elevation View



Mounting



Refer to Installation Instructions for specific mounting structure guidelines, wiring and wall control installation details

ABOUT HIPAC

We are an Australian healthcare company that guarantees to stand behind all our medical products, both manufactured and imported, because we're here for the life of our products and clients.

PO Box 797, 36 Long St. Goulburn NSW 2580, Australia
 P. +61 2 4823 0000 E. info@hipac.com.au

SYDNEY | MELBOURNE | BRISBANE | ADELAIDE | PERTH

hipac.com.au

ABN 27 600 353 688