

Parts



4 x Wall Mount



16X No.6 x 32mm
Csk, 6-Lobe
Pin TX15



2X Door Leaf
Supplied separately

Tools Required

- Cordless Drill
- 6 - Lobe Pin TX15 driver bit
- 2mm Drill Bit
- Level [225mm and 1800mm recommended]
- Pencil [deep hole marker recommended]
- Safety gloves
- Tape Measure



Door Opening Preparation

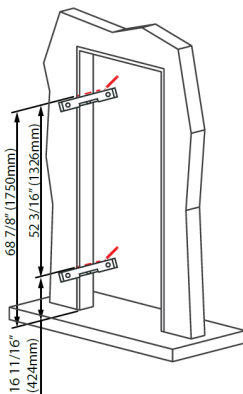
Make sure both frame jambs are flat. Remove any stops or pack out where rebated stops have been used. The Wall Mount requires a flat surface to mount to.

1.0 - Install the Wall Mount

Make sure both frame jambs are flat. Remove any stops or pack out where rebated stops have been used. The Wall Mount requires a flat surface to mount to.

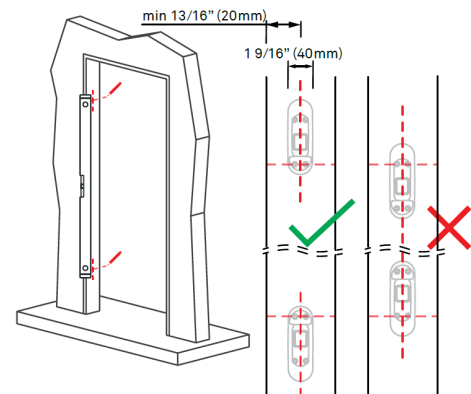
1.1

Using a level, mark horizontal lines at 1750mm and 424mm up from the floor on the face of the frame jamb. It is critical to ensure the spacing between the fixing points [326mm±1mm] to ensure the leaves fit.



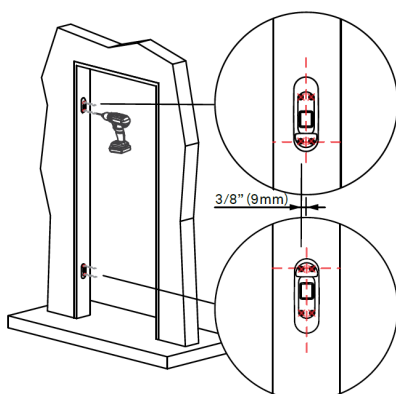
1.2

Use a level to mark center lines at the vertical intersection of the horizontal lines, ensuring the centre lines are a minimum of 20mm from the edge of the opening.



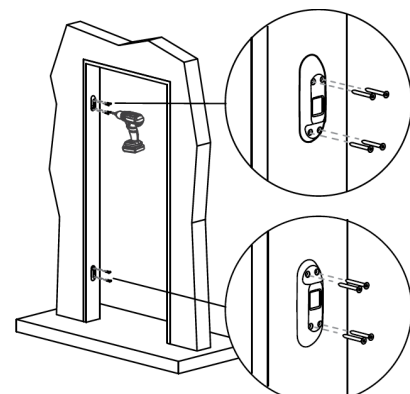
1.3

Centre the product over the lines marked in the previous steps and drill pilot holes using a 2mm drill bit. It is critical that the Wall Mounts are vertically centred to ensure that the product functions correctly.



1.4

Secure the Wall Mounts in place using the supplied fixings. Do not use an impact driver on fixings. Ensure the perimeter of the product is flush to the wall. Any gaps could present a suicide risk.



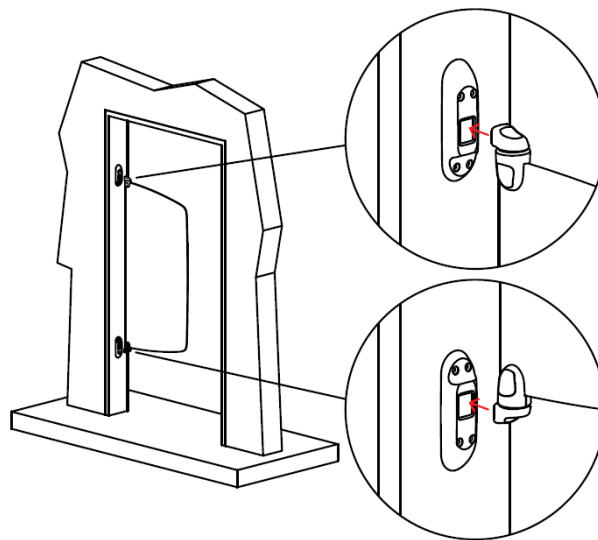


2.0 - Hang the Door Leaf

Make sure both frame jambs are flat. Remove any stops or pack out where rebated stops have been used. The Wall Mount requires a flat surface to mount to.

2.1 - Wall Mount

To hang the door, offer up a Door Leaf to the top and bottom Wall Mounts. It will automatically connect.



3.0 - Final Checks

3.1

Ensure Wall Mounts are flush to the door frame. Any gaps could present a suicide risk.

3.2

Check the operation of the Pivots by opening each door to 90 degrees. The doors should return smoothly back to within 5 degrees of the center position.

Troubleshooting

Problem: Door leaf does not return to centre.

Check: Pivot spacing. The distance between top and bottom Pivot fixing holes should be 1326mm \pm 1mm.

ABOUT HIPAC

We are an Australian healthcare company that guarantees to stand behind all our medical products, both manufactured and imported, because we're here for the life of our products and clients.

PO Box 797, 36 Long St. Goulburn NSW 2580, Australia
P. +61 2 4823 0000 E. info@hipac.com.au

SYDNEY | MELBOURNE | BRISBANE | ADELAIDE | PERTH

hipac.com.au

ABN 27 600 353 688