



Ligature-Resistant Bathroom Door

Product Outline

Providing privacy and dignity without compromising on safety, the load release bathroom door solves the biggest unsupervised risk in behavioral health.

With the soft, lightweight leaves detaching if a weight of more than 6kg is applied, the door maintains patients' sense of self worth whilst still allowing staff to carry out head and feet observations.

Key Features

Load release

Doors detach when a weight of more than 6kg is applied to the door - eliminating ligature points created by the meeting of two hard surfaces.

Two leaves

By having two leaves which are available in medium, wide and extra wide widths, this is an off-the-shelf product that does not require made-to-order sizing and specification like others on the market.

Improved pivots

The 34% lighter pivots increase the ligature resistance performance of the bathroom door and further reduce the risk of weaponization.

Privacy screen

The two leaves create a screen for patients whilst using the bathroom which still allow for head and feet observations.

Leaf design options

Choose from a range of leaf design options including two original artworks from arts & behavioral health charity Hospital Rooms.

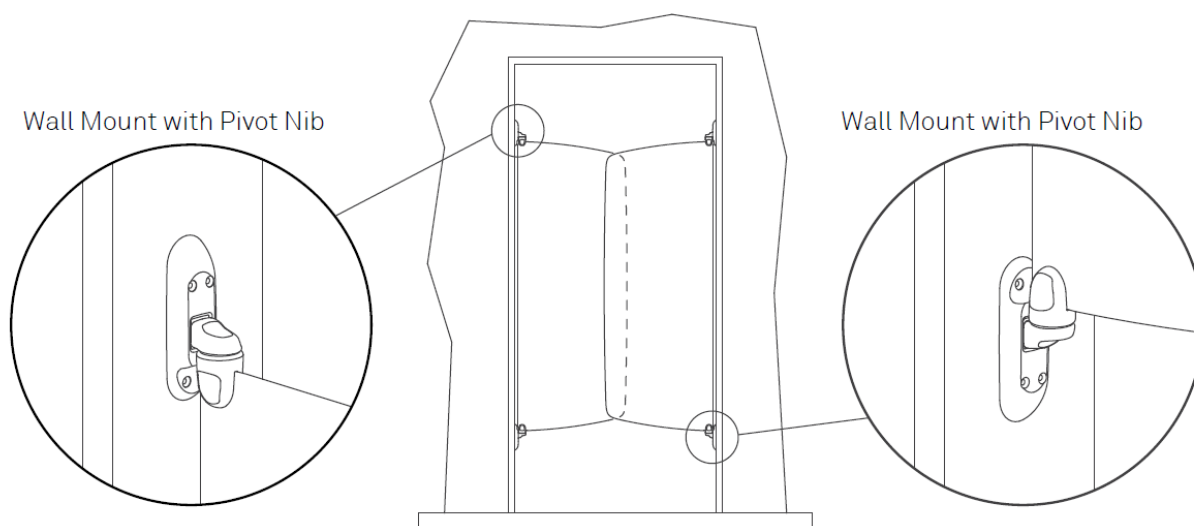




Product Scope

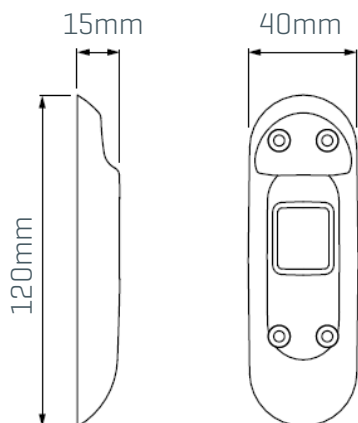
The Bathroom Door is a load release, saloon style door designed for behavioral health environments.

- The door leaves are splash proof and they should not be submerged in water. The Bathroom door is not to be used as a replacement for a shower curtain.
- Door leaves have been tested the following standards:
 - ASTM E84 - Standard Test Method for Surface Burning Characteristics of Building Materials
 - BS EN 1021-1:2006 smouldering cigarette
 - BS EN 1021-2: 2006 match flame equivalent
 - BS 5852: 1982 Part 2
 - BS 7176:2007+A1:2011 Low Hazard
 - BS EN 597-1-1995 smouldering cigarette
 - BS EN 597-2: 1995 match flame equivalent
- Mechanical Performance - Hipac products have been rigorously tested to ensure they are suitable for behavioral health environments. For more details on the mechanical performance visit www.hipac.com.au or call 1800 75 93 93.
- Ligature Performance - The door leaves will release at a load of >6kg. It is essential that the product has been installed and maintained as stated in the installation instructions and O&M manual to ensure the ligature performance is met for the lifetime of the product.
- Please be aware that the Bathroom Wall Mount and Pivot contains strong magnets. These are securely fixed to the opening and have been thoroughly tested with patient safety in mind to ensure the magnets cannot be accessed once installed. Before installation, it is critical that anyone handling the product is aware of the magnet safety information - HSN003.

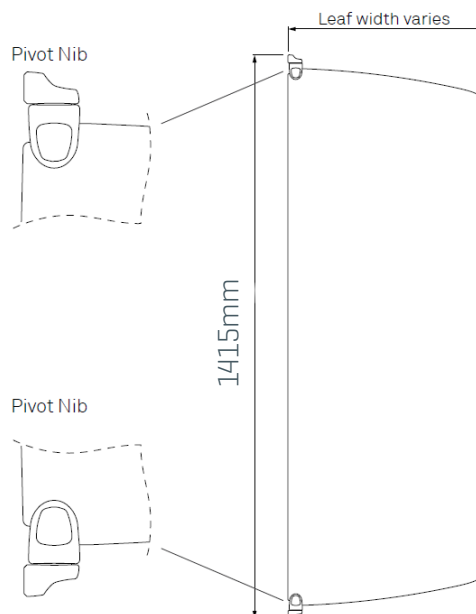




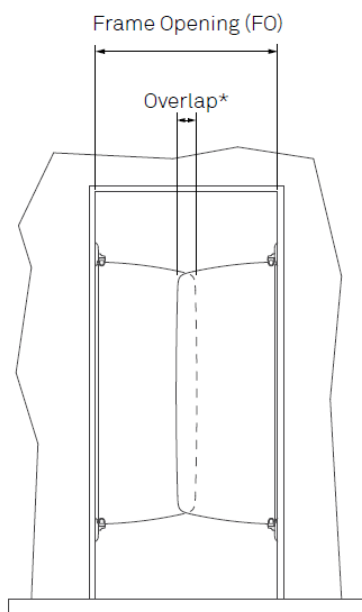
Wall Mount



Bathroom Door Leaf



Frame Opening



Leaf Size	Width Dimensions
Medium	440mm
Wide	510mm
Extra Wide	570mm

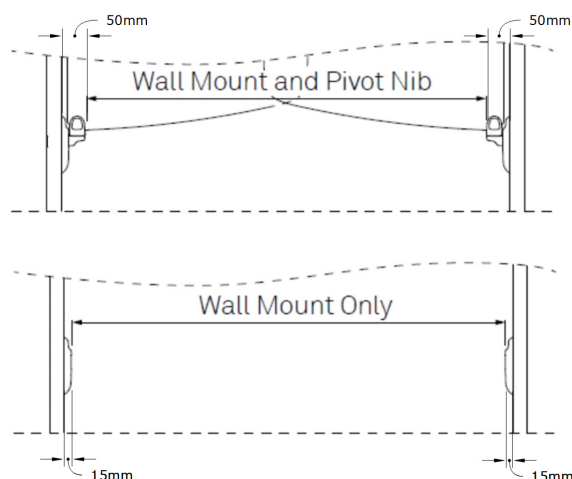
Leaf Size	Min FO	Max FO
Medium	741mm	870mm
Wide	871mm	1000mm
Extra Wide	1001mm	1100mm

* Overlap will range from 20mm at 'Max FO' to 150mm at 'Min FO'.

We do not recommend an overlap outside of this range.

Clear Opening Width

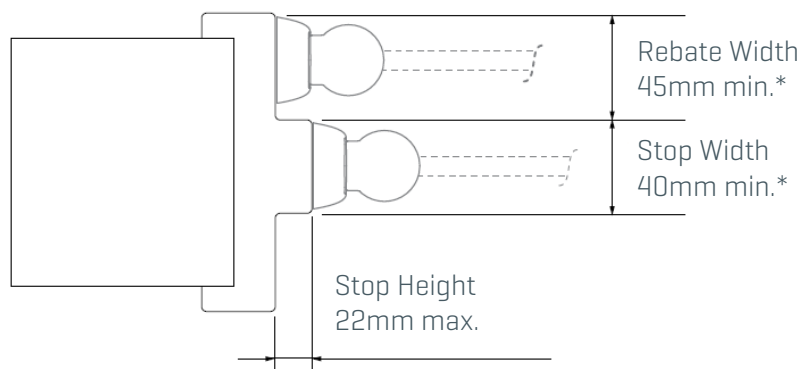
The Clear Opening Width (COW) is calculated by the Frame Opening (FO) - Pivot/Wall Mount Depth.





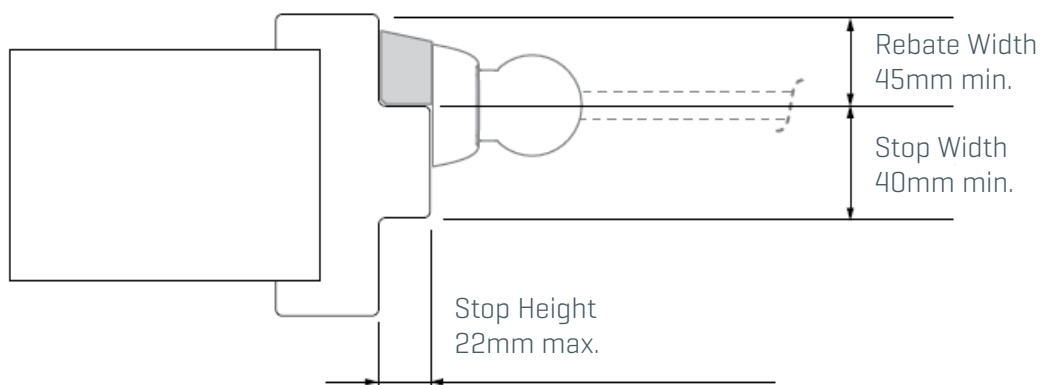
Door Frame Check

The Wall Mount can be fitted directly to a door frame which has a rebate width of 45mm, or stop width of 40mm. The frame surface must be flat to avoid any gaps between frame and mount.

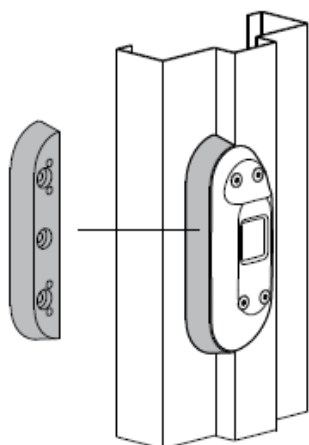


Frame Packer Kit

A frame packer kit allows fitment of the Wall Mount to a frame narrower than 40mm with a stop height of 16mm. The diagram below shows the dimensions required with the minimum allowed sizes.



>6kg Release Door Frame





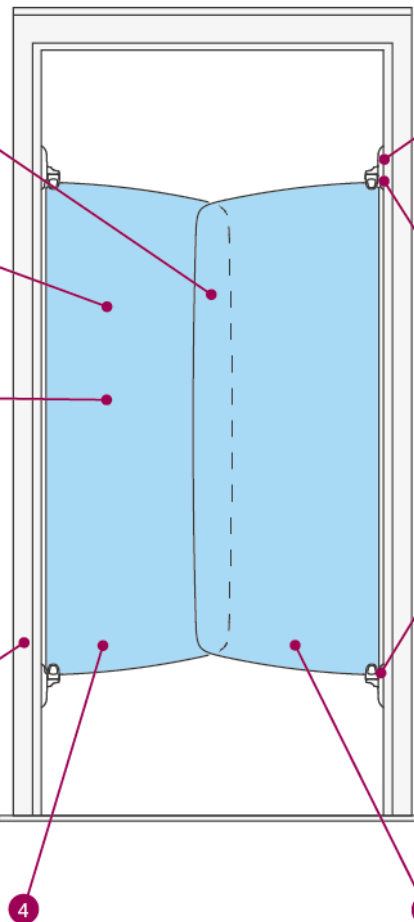
En-Suite Door Set Lifesaving Details

Leaves overlap for privacy

Standard sizes to ensure short lead times

Leaves available in a choice of colours and images, allowing patients to personalise bedrooms

Can be fitted to existing door frames in under 60 minutes, minimising disruption



Magnetic load release eliminates known ligature risks

Top and bottom magnets are self-locating and offer superior hold, minimizing unwanted detachments and removing the need to bend down if the leaves do need reattached

Individual leaves are narrow and flexible, making ineffective weapons or shields

Leaves are fire retardant and water-resistant



Maintenance Manual

The maintenance of Hipac products is essential to proper function and safety and must be completed as specified. Any maintenance work must be carried out by suitably qualified and competent individuals.

Types of Maintenance

It is important that all products are installed correctly as per the instructions to ensure safe and effective performance. To maintain this level of performance our products require a range of different checks to ensure they continue to meet the highest safety standards.

Visual Inspection

Visual checks on the product and surrounding door/frame/environment looking for wear, damage and general condition

Mechanical Checks

Consists of checking that the product's mechanical elements function properly without any binding or undue force required. Check that parts can move freely without abnormal resistance or binding

Fixings Check

Fixings need to be checked regularly and tightened when necessary to ensure products do not become loose and provide potential ligature/weaponisation risks. This also checks that no projection of fixings prevent components from moving freely

Cleaning

The product should be regularly cleaned in order to maintain the product finish and function.
The correct cleaning method should be used to ensure products are not damaged



Anti-Ligature Ensuite Door Set

Datasheet

Maintenance Schedule

It is essential that the customer implements a regular maintenance regime to support the correct function of all our products. The frequency of checks recommended is a guideline and should be commensurate with frequency of use/severity of the environment it is installed in.

The following section outlines checks that should be carried out on the Bathroom door. If any product fails any of these tests, please contact your maintenance provider.

	Product	Maint. Type	Maintenance
Weekly These items should be checked weekly and adjustments made where necessary.	All Bathroom Door Products	Visual Inspection	A visual inspection of the product and the surrounding environment to check there is no signs of damage. Check that all hardware is flush to the wall with no ligature risks.
	All Bathroom Door Products	Cleaning	All parts can be cleaned with a solution of 10,000ppm chlorine disinfectant. The leaf should be cleaned and then immediately wiped dry to prevent staining.
Monthly In addition to the weekly schedule, these items should be checked on a monthly basis and adjustments made where necessary.	All Bathroom Door Products	Fixings Check	Ensure the fixings are holding the pivot and wall mount securely in place.
	All Bathroom Door Products	Mechanical Checks	Check that the doors swing open without abnormal resistance or binding. The doors should return to the closed position after without requiring any force applied.

Post-Abuse

All of our products have been tested to withstand physical abuse, however, it is essential that all elements of the product are checked following attack or abuse.



Product Specific Maintenance

Ligature Resistant Bathroom Door

Do not use solvents, neat bleach, phenolic based cleaning solutions or abrasive products to clean the door leaves or wall mounts.

For wall mounts and leaves - All surfaces to be wiped down with cleaning wipes or a disposable soft cloth moistened with a mild detergent or disinfectant* diluted in warm water. The wipe/cloth should be changed during the cleaning process if it becomes soiled.



No Neat Bleach



Hand Wash

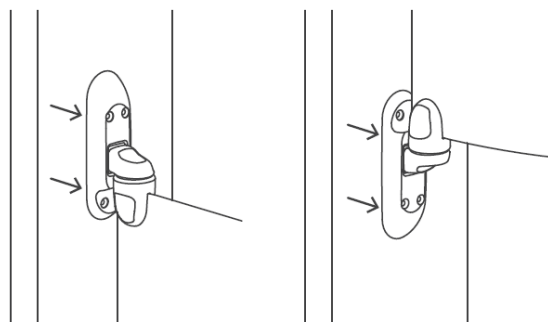


Do Not Wring Leaves

*Disinfectant: A solution of 10,000ppm chlorine disinfectant is permitted for infection control. The leaf should be cleaned and then immediately wiped dry to prevent staining.

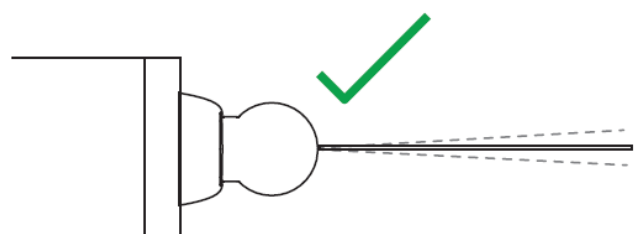
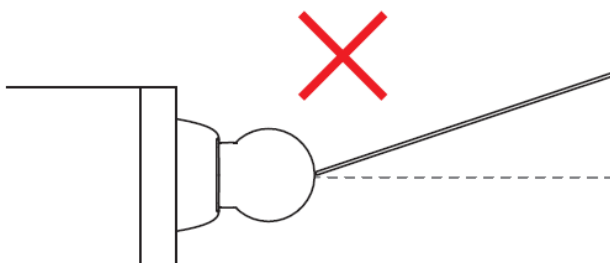
Fixing Check

Inspect the product to check that the fixings have not come loose, and that the wall mounts remain flush to the wall. Gaps between the product and wall create a ligature risk.



Mechanical Checks

Check the operation of the pivots by opening each door to 90 degrees. The doors should return smoothly back to within 5 degrees of the centre position.





Safety Information

Safety Notices

- Read, follow and keep these instructions.
- Heed all warnings.
- Only use attachments/accessories specified by Hipac.

Liability

Hipac does not accept any responsibility for damage caused by improper handling of the supplied magnetic products. The magnets used with the product have a surprising amount of power and if handled incorrectly can be very dangerous. Please ensure anyone handling these products has read and understood the provided warnings.

Heart Pacemakers

Keep magnets away from heart pacemakers. The operation of heart pacemakers will be affected by the close proximity of a magnet. Magnets can set a pacemaker working in a way that is not suitable for the user and that might affect their health.

Risks of breaking or leaping together

The magnets within the product are extremely strong and could attract to each other or to any metallic surface with extreme speed and force which could damage the product or cause injury.

Children

DO NOT allow children to handle this product as they are too powerful, will cause trapping injuries and can be fatal if swallowed.

Do not disassemble the product

The magnets are contained within the product. Do not disassemble the product as this could lead to magnets leaping from the product which could cause injury. Even within the housings, the magnetic force is still strong enough to cause injury.

Magnetically sensitive items

Keep the product a safe distance [2"+] away from all objects that can be damaged by magnetism including mechanical watches, CRT monitors and televisions, credit cards diskettes and other magnetically stored media.



Compliance

Fire Performance

The Bathroom Door is fire rated to

- ASTM E84 - Standard Test Method for Surface Burning Characteristics of Building Materials
- BS EN 1021-1:2006 smouldering cigarette
- BS EN 1021-2: 2006 match flame equivalent
- BS5852: 1982 Part 2
- BS 7176:2007+A1:2011 Low Hazard
- BS EN 597-1-1995 smouldering cigarette
- BS EN 597-2: 1995 match flame equivalent

Support

Reporting a fault

Issues should be reported to your maintenance provider. If you need manufacturer's support please contact Hipac: info@hipac.com.au or 1800 75 93 93.

Spares

Replacement leaves are available from Hipac. Contact Hipac for details and support: info@hipac.com.au or 1800 75 93 93.



Manufactures Warranty

The Manufacturer's Warranty guarantees the Ensuite Door foam leaves and magnetic frame pivots against material and manufacturing defects for a period of one year from the date of sale.

The guarantee will provide for the free replacement of any element proved to be of faulty manufacture or material defect following inspection.

The onus is on the buyer to ensure that the products have been correctly specified as being fit for purpose and the products are installed, commissioned and maintained strictly in accordance with Manufacturer's fitting instructions. [Fitting instructions available upon request].



ABOUT HIPAC

We are an Australian healthcare company that guarantees to stand behind all our medical products, both manufactured and imported, because we're here for the life of our products and clients.

PO Box 797, 36 Long St. Goulburn NSW 2580, Australia
P. +61 2 4823 0000 E. info@hipac.com.au

SYDNEY | MELBOURNE | BRISBANE | ADELAIDE | PERTH

hipac.com.au

ABN 27 600 353 688 EDD20240906V2