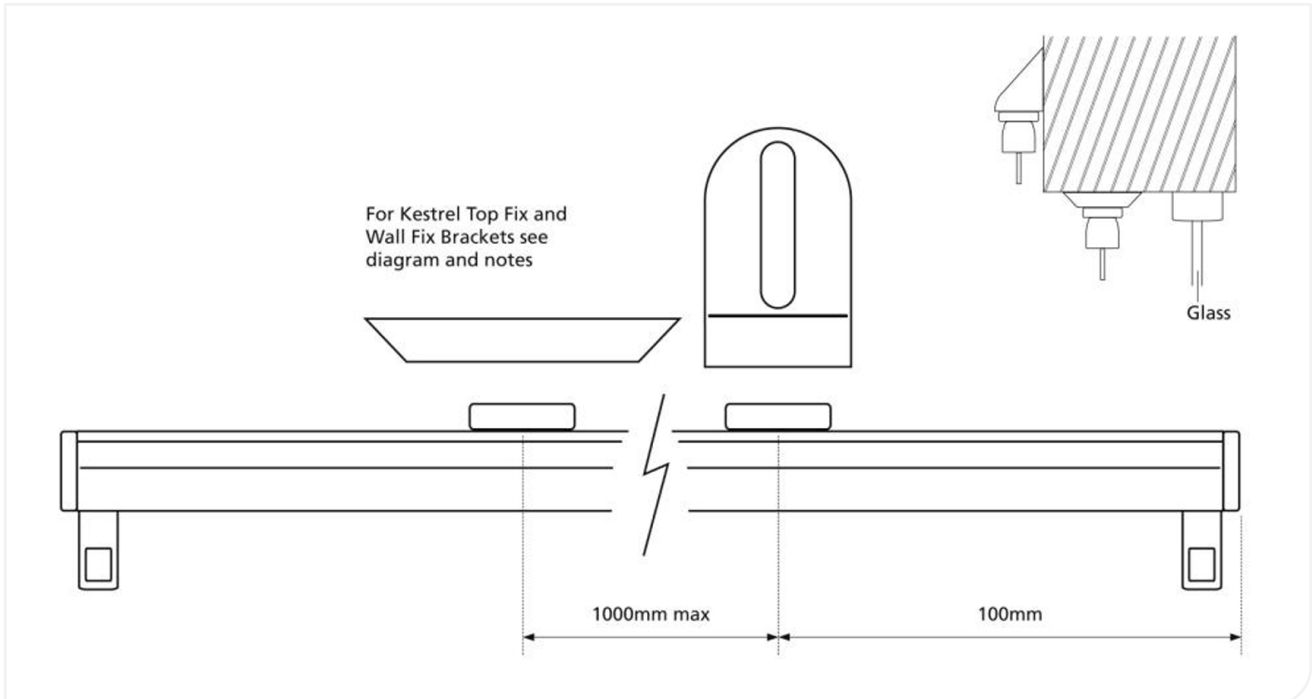
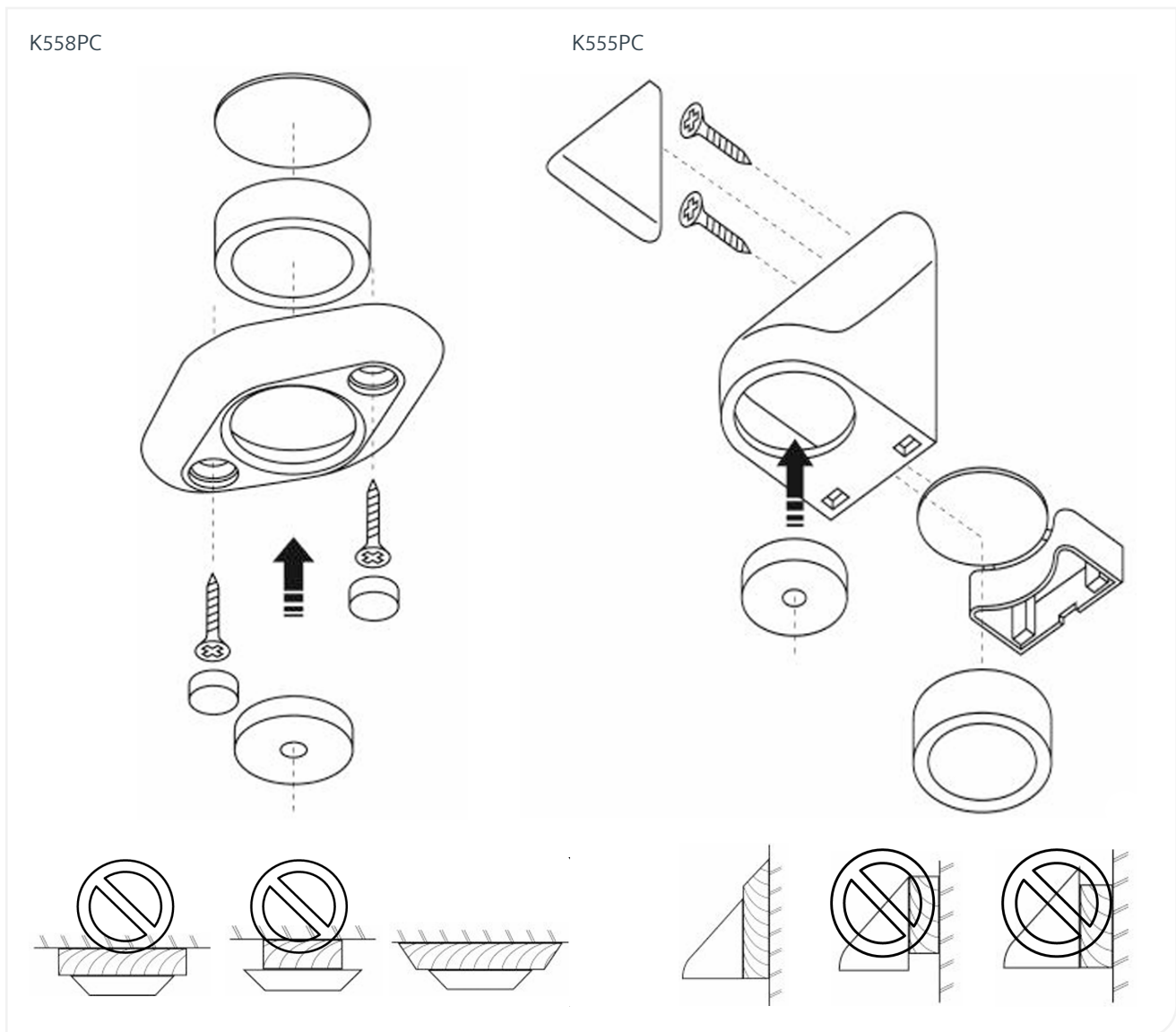


Anti-Ligature Window Curtain Tracking Kit



Fitting Instructions

1. Discs should be fixed to the track with recommended spacing as per diagram. Lifting the track into position, checking the height and position of the track ensuring the curtain will hang correctly and that no obstructions will prevent the track collapsing, mark the position of the brackets (centre of the disc).
2. Fix top or face fix brackets to the ceiling or wall using suitable fixing screws/plugs as shown on the next page. It is important that the bracket is securely fixed to the substrate using two fixing screws and care must be taken to ensure that no ligature points are left once installation has been completed. If a degree of float is required in the magnet, the packing disc may be discarded.



3. Try the track in position, and attach further brackets where required.
4. Once the track is fitted and bracket positioning has been confirmed by testing, the push-in screw cover **MUST** be fitted ensuring that it is flush with the bracket body. The push-in screw cover is intended to be a tight fit to prevent unauthorised access to fixings.
5. Hang curtain on track.
6. Check curtain operations.

All Brackets

Discs should be horizontal and the centre of gravity of the load should be directly beneath the centre-line of discs. Test completed installation. The downward force needed to part the brackets should never exceed 400N (40kg static load) at any point.



Warning

The magnetic element of the bracket is POWERFUL. Handle with care. If allowed to attach to a flat steel surface it may be difficult to remove. DO NOT PLACE NEAR SENSITIVE ELECTRONIC EQUIPMENT.

Disclaimer:

All products must be fitted as per the directions detailed in the individual product Installation Instruction Document. Hipac takes no responsibility for incorrect installation/operation of the product. By purchasing this product, you are confirming that the product will be fitted as per the instructions.

Please note that Hipac offers a range of measures designed to reduce the risk of self-harm or suicide and does not offer any guarantee that it will not take place. The solutions have been designed as a deterrent only.

ABOUT HIPAC

Operating at the forefront of healthcare, we strive to redefine what's possible. We provide superior products, design expertise and total solutions to help create environments where nothing stands in the way of patient care.

Contact information



1800 75 93 93



info@hipac.com.au



www.hipac.com.au



We're here for life