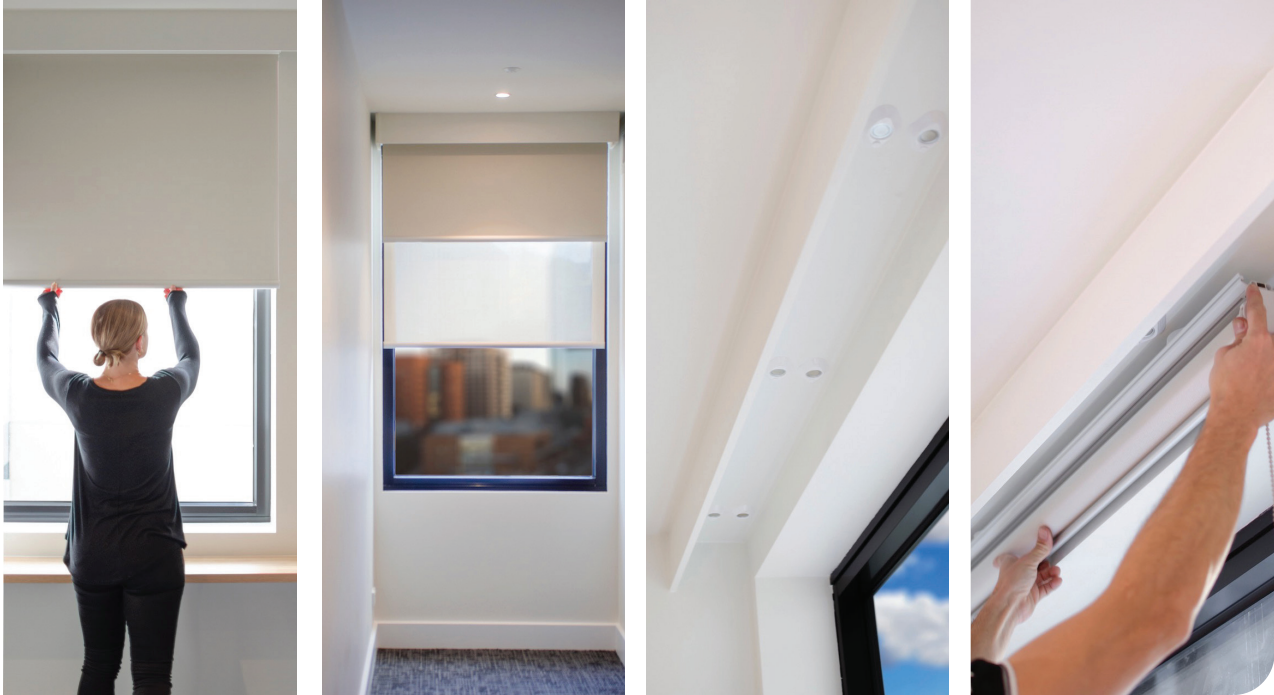


Hipac Anti-Ligature Roller Blinds



The Hipac Anti-Ligature Roller Blind System is designed to provide a safe solution for mounting roller blinds in environments where patients are at risk of self-harm or suicide, such as mental health facilities.

This specially designed system uses several key features to reduce the risk of self-harm through strangulation, including:

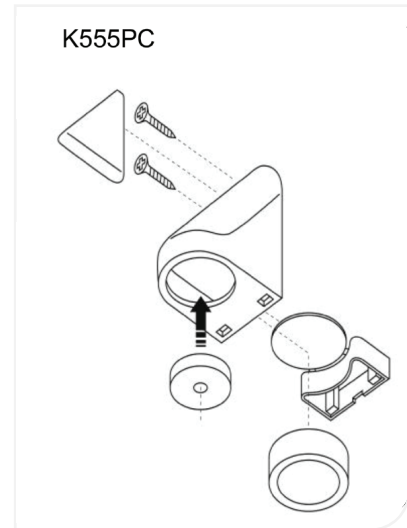
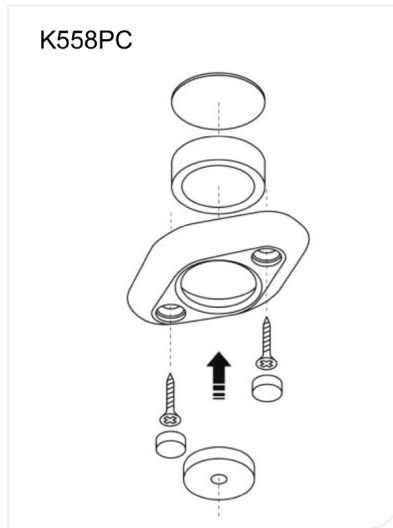
- the Hipac Anti-Ligature Roller Blind System is designed to work in conjunction with the Kestrel magnetic load release brackets.
- the roller blind uses the spring assisted lift system, which operates without chains or cords and ensures there are no cord loops that can be used for self-harm.
- Kestrel load release brackets ensure that if an abnormal load is applied, such as the weight of a person, the blind will release from the brackets to ensure a ligature cannot occur.
- the spring assisted lift system balances the operation of the blind and minimises the chance of the force of operating the blind can cause an unwanted release from the brackets.
- Kestrel load release brackets are available in both top and face fix configurations.

All Brackets

This system should be regularly inspected to ensure that there is no damage or evidence of tampering with the fittings.

Fitting Instructions

Attach the discs to the tracks with countersunk screws or rivets as per the below spacing guide and as evenly as possible.

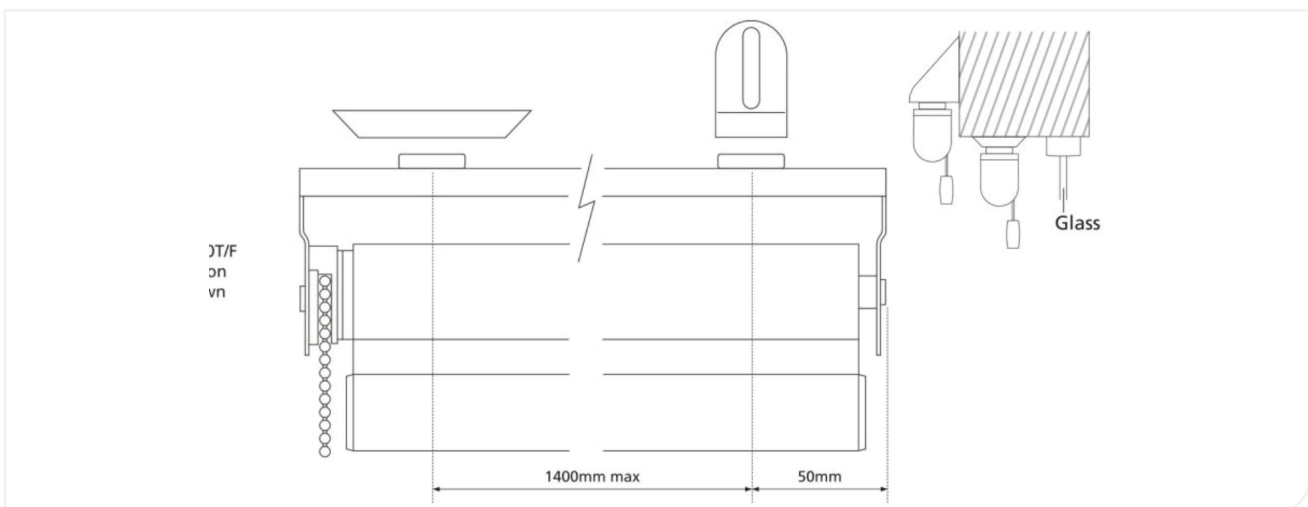


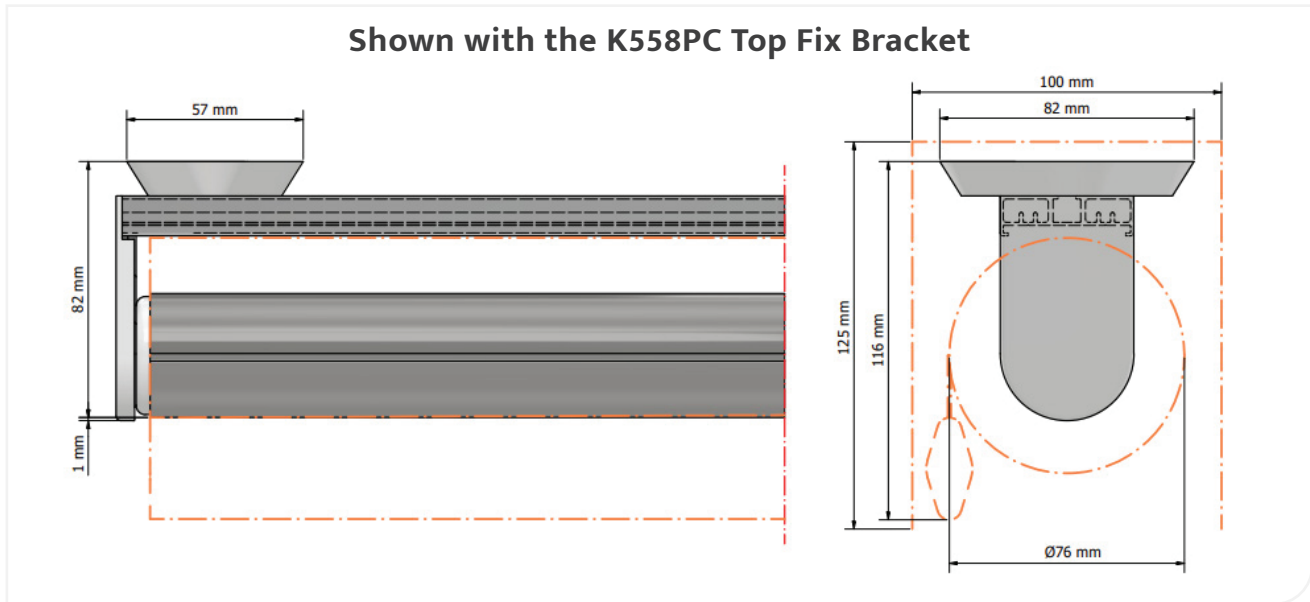
Suggested number of brackets are as follows:

Width	# of Brackets
Up to 1500mm	2
1500 - 2700mm	3
2701 - 3200mm	4

Check the position and height of blind ensuring it will hang correctly and that no obstructions will prevent the blind collapsing.

Fit securely to the substrate in accordance with the drawings, ensuring the correct size and quantity of fixing screws are used.



**Disclaimer:**

All products must be fitted as per the directions detailed in the individual product Installation Instruction Document. Hipac takes no responsibility for incorrect installation/operation of the product. By purchasing this product, you are confirming that the product will be fitted as per the instructions.

Please note that Hipac offers a range of measures designed to reduce the risk of self-harm or suicide and does not offer any guarantee that it will not take place. The solutions have been designed as a deterrent only.

ABOUT HIPAC

Operating at the forefront of healthcare, we strive to redefine what's possible. We provide superior products, design expertise and total solutions to help create environments where nothing stands in the way of patient care.

Contact information


1800 75 93 93



info@hipac.com.au



www.hipac.com.au

 **Hipac**
We're here for life