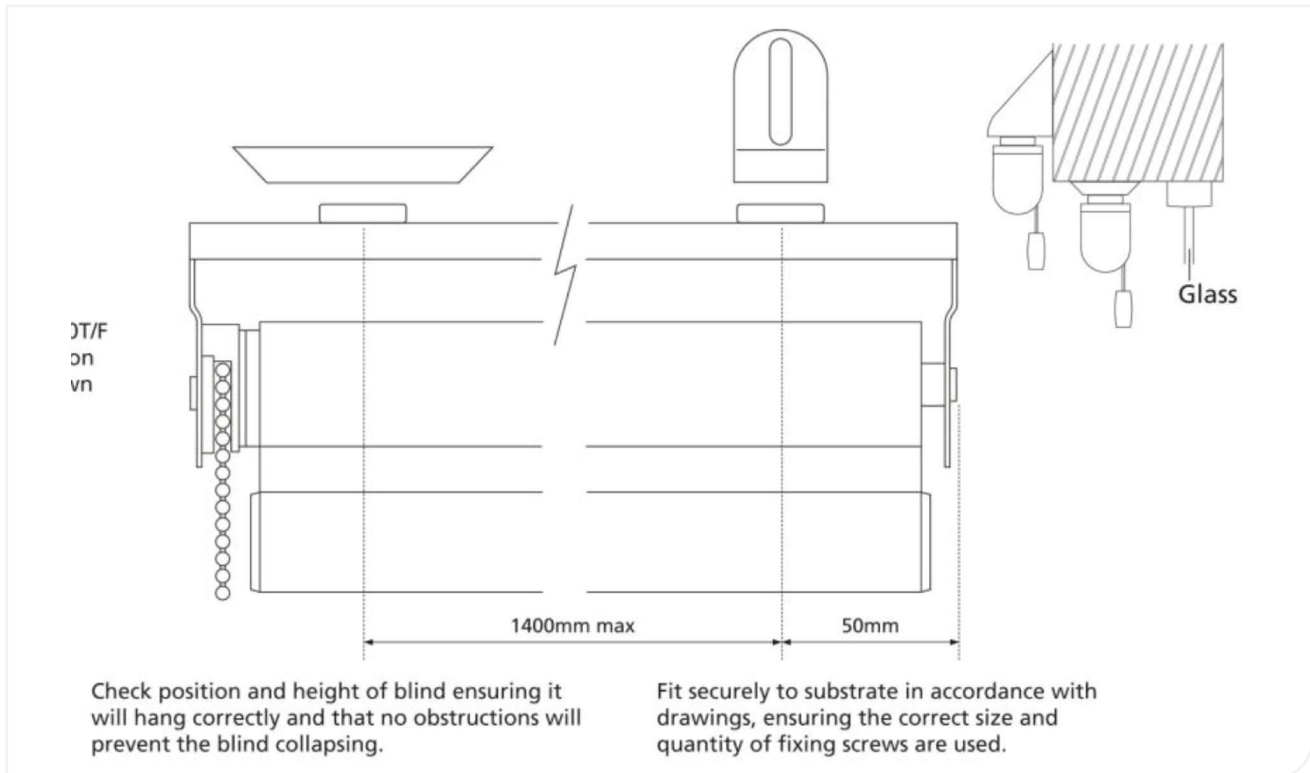
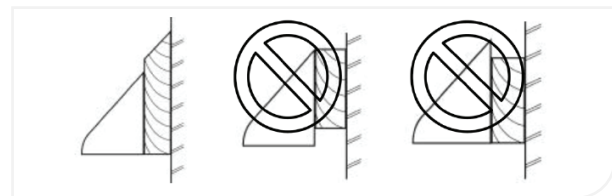
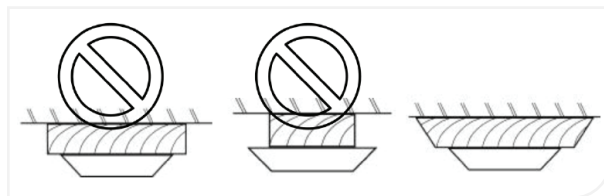
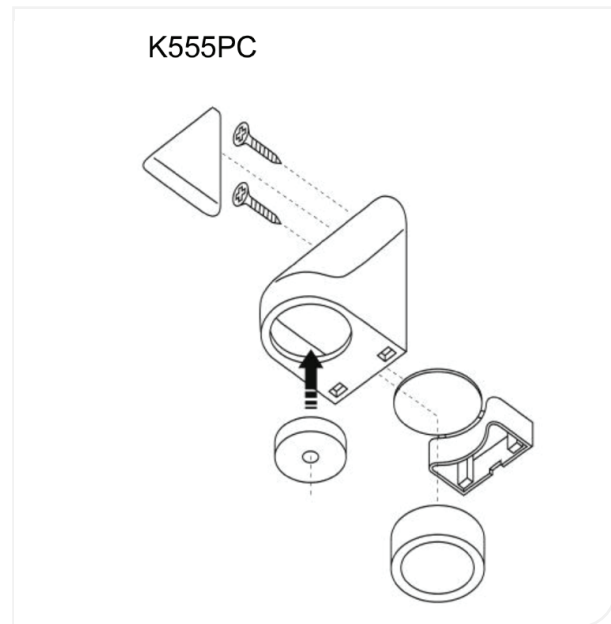
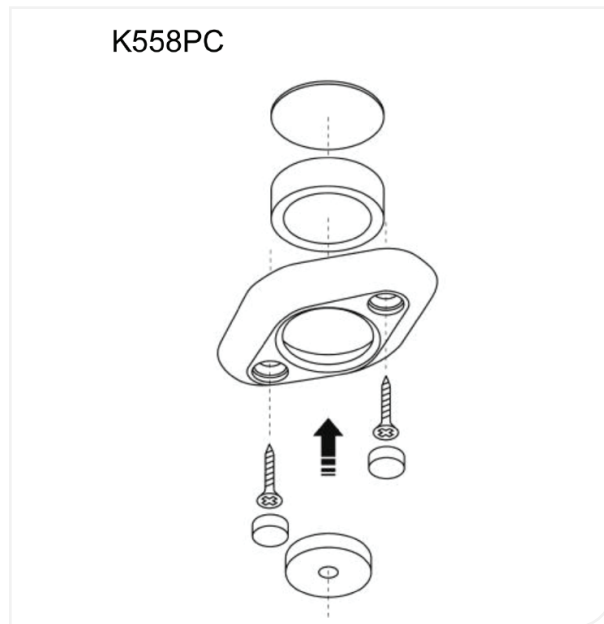


Hipac Anti-Ligature Roller Blinds



1. Check the position and height of blind ensuring it will hang correctly and that no obstructions will prevent the blind collapsing.
2. Fit securely to substrate in accordance with drawings, Fig 1, ensuring the correct size and quantity of brackets are used.
3. Fix top or face brackets to ceiling or wall using suitable fixing screws/plugs as shown in the next page. It is important that the bracket is securely fixed to the substrate using TWO fixing screws and care must be taken to ensure that no ligature points are left once installation has been completed. If a degree of float is required in the magnet, the packing disc may be discarded.



4. Lift the blind into position.
5. Once the blind is fitted and bracket positioning has been confirmed by testing, the push-in screw cover **MUST** be fitted, ensuring that it is flush with the bracket body. The push-in screw cover is intended to be a tight fit to prevent unauthorised access to fixings.

All Brackets

Discs should be horizontal and centre of gravity of load should be directly beneath centre-line of discs. Test completed installation. The downward force needed to part the brackets should never be more than 400N (40kg static load) at any point.

Warning

The magnetic element of the Kestrel bracket is POWERFUL. Handle with care. If it attaches to a flat steel surface, it may be difficult to remove.



DO NOT PLACE NEAR SENSITIVE ELECTRONIC EQUIPMENT.

Disclaimer:

All products must be fitted as per the directions detailed in the individual product Installation Instruction Document. Hipac takes no responsibility for incorrect installation/operation of the product. By purchasing this product, you are confirming that the product will be fitted as per the instructions.

Please note that Hipac offers a range of measures designed to reduce the risk of self-harm or suicide and does not offer any guarantee that it will not take place. The solutions have been designed as a deterrent only.

ABOUT HIPAC


Operating at the forefront of healthcare, we strive to redefine what's possible. We provide superior products, design expertise and total solutions to help create environments where nothing stands in the way of patient care.

Contact information

1800 75 93 93

info@hipac.com.au

www.hipac.com.au

 **Hipac**
We're here for life