

SafePass Ensuite Doorset

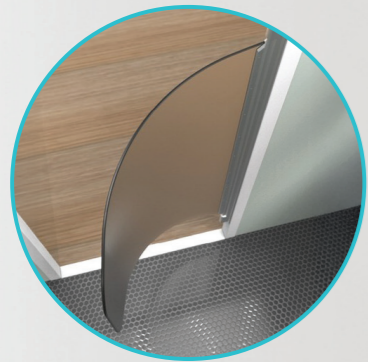


Ligature resistant, hinged door system, providing safety and privacy in patient bathrooms.

The SafePass Ensuite Doorset is a heavy duty, spring-free hinged system designed to enhance privacy and reduce ligature risks. Suitable for both new builds and retrofits, it combines a durable metal hinge mechanism with a flexible polycarbonate door leaf to deliver smooth, quiet operation and long-lasting reliability.

Features of the SafePass Ensuite Doorset

Rounded, slope profile
To minimise ligature points.



Flexible material
To prevent trapping or jamming of ligature points, minimising risk of self-harm.

Heavy duty hinge
Designed to support over 130kg of weight.

Securely attached to frame
Designed to remain securely attached to frame – does not release under load.

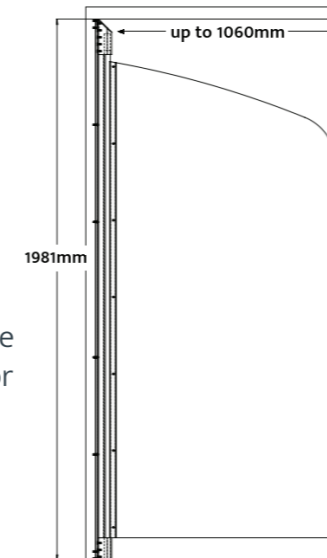
Convenient Two-Way, Self-Closing Door
Door opens 90° both ways and self-closes from 60° or less.



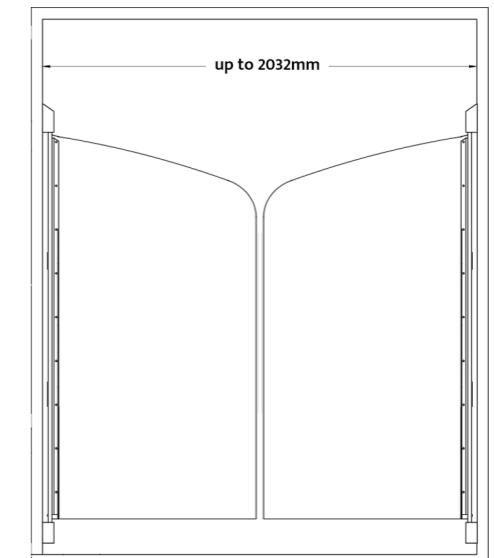
Available in various door heights

The SafePass Doors are available in a range of heights to balance privacy and functionality. Available in three sizes: 1981mm, 1828mm and 1524mm.

They are also available as a dual door set-up for wider openings.



Also available in 1828mm or 1524mm.



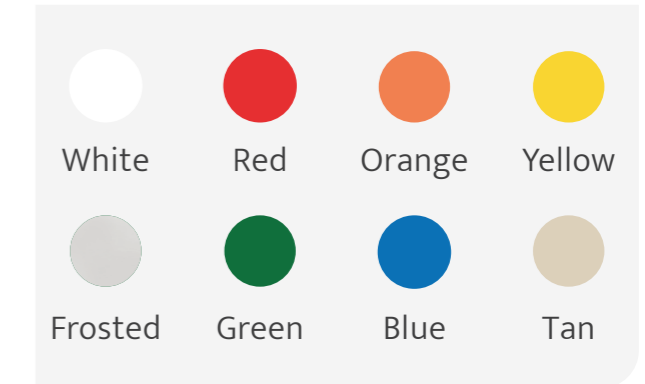
Suitable for new and existing frames

The SafePass Ensuite Doorsets can be fitted to new or existing frames, provided there is a flat surface of 54mm or greater.



Color options to suit all facilities

A palette of uplifting and aesthetically pleasing colors. More colors to come.



Watch the videos here:



With Hipac as your partner, you have the flexibility to select from a range of delivery options designed to fit your build or renovation requirements.

Our flexible offerings include:

Supply of Components

We can supply a range of door hardware components, to be fitted to your new or existing doors and frames. Complementary to this we offer a comprehensive door hardware scheduling service that integrates our product range alongside hardware from other manufacturers as required, ensuring continuity and compatibility throughout the facility and eliminating scope gaps or overlaps.



Doorset Package Supply

We can supply our specialist door sets in a packaged kit for installation by your installer. This kit includes our unique two-part metal frame and door leaf, pre-assembled and ready for final installation into a prepared structural opening. This reduces the time and expertise required on site, and as a true 'final fit' solution, it is installed at the end of the project to minimise exposure to wear and tear from construction activities. Every installation is tested and commissioned by Hipac, giving you peace of mind and full compliance.



Complete Supply and Installation Service

This comprehensive offering means that you provide us with a structural opening in the wall, the rest can be taken care of by us. We can also project manage infrastructure and trade requirements such as electricity, access control, and connection where required to staff attack/nurse call systems. Our unique two-part frame system means that this is a 'final fit' solution, ideally installed at the end of a building project. This minimises exposure to wear and tear from construction activities and makes it well suited for new and retrofit applications. This is the best solution for peace of mind, and a single point of accountability, delivered and installed by the people who designed and manufactured it.



With every option, Hipac delivers hands-on training to ensure staff can use doors safely and effectively during emergency scenarios.



Hipac's Total Room Solutions for a safer space

From anti-ligature doors and anti-barricade systems to specialty locksets, vision panels, safety furniture, and bedroom and bathroom fittings, Hipac offers a full suite of products designed to create safer spaces.

With our Total Room Solutions approach, we go beyond just supplying products. We partner with you from design through to installation, training, and ongoing service. Every element works together to reduce risk and support better outcomes.



Creating spaces that put patient safety, security and recovery first

As Australia's leading supplier of **safety products and solutions**, we're here to enhance safety and minimise risk to consumers and staff within mental health and correctional facilities.



Your specialists in:



Mental health safety products and solutions



Operating theatres and surgical spaces



Eco-friendly bio-medical waste solutions

Contact information



1800 75 93 93



info@hipac.com.au



www.hipac.com.au



We're here for life

ABN 27 600 353 688
SFED20251117V1